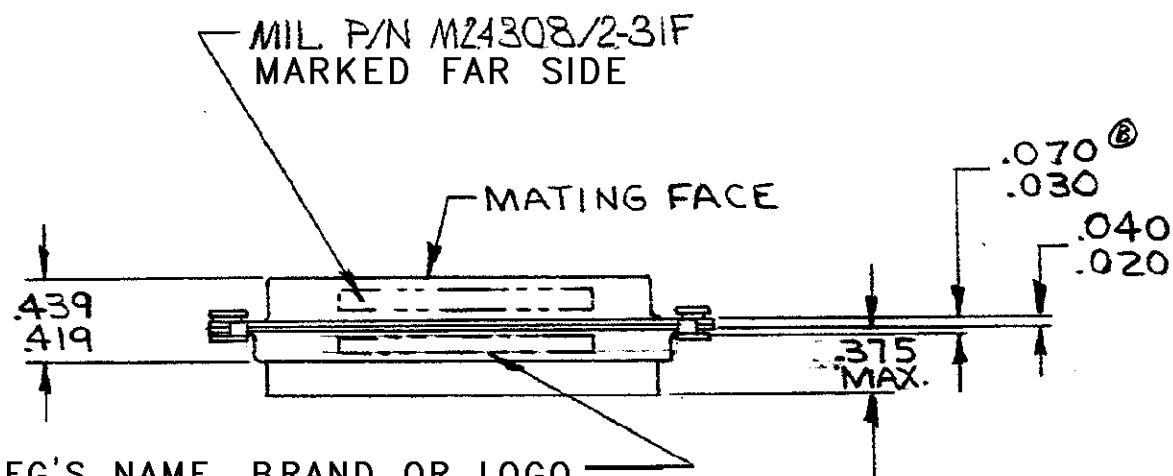
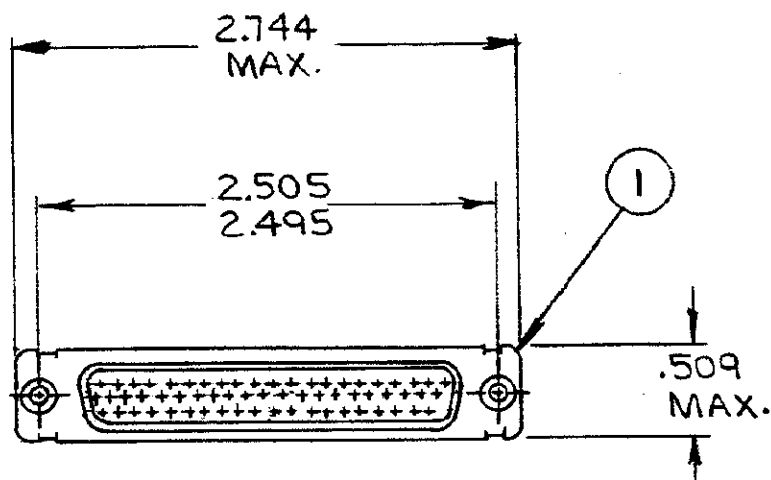


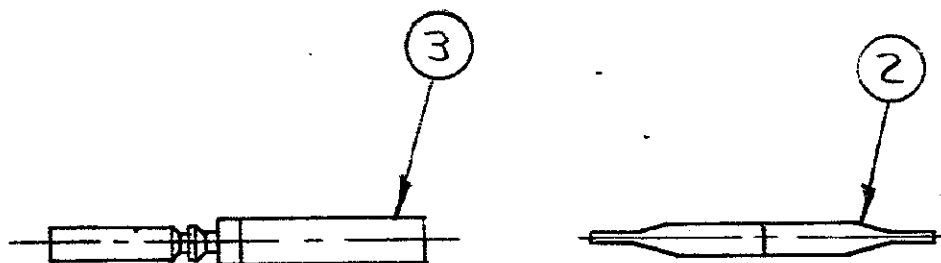
DRAWING MADE IN AMERICAN PROJECTION

AMP INCORPORATED. ALL RIGHTS RESERVED. AMP PATENTS AND/OR PATENTS PENDING.

⚠ APPROPRIATE AMP P/N (KIT) IS MARKED ON PACKAGE



MFG'S NAME, BRAND OR LOGO
MFG'S PART NO AND DATE CODE
MARKED FAR SIDE



REVISIONS				
ZONE	LTR	DESCRIPTION	DATE	APPROVED
	A	REV. & REDRAWN, RELEASED WAS 5066-170 PER ECN A-962	12-29-70	Lm/ [Signature]
		NOTES ADDED, ECN B-011	2/4/71	[Signature]
	B	REV. PER ECN B-948	5/11/73	Lm/ [Signature]
	B ₁	REV. PER ECN E-342	5/19/71	Lm/ [Signature]
	C	REV. PER ECN G-047	2/8/74	[Signature]
	D	REV PER ECN DF-0021; DF-0160 & R2670	MR 1-13-88	EAM
	E	ECO-08-023688	PY 11-08	BW

SUPD BY 204542-2 & 91067-1

<input checked="" type="checkbox"/>	-	-	MILITARY P/N M24308/2-42F MARKED ON PACKAGE	
<input checked="" type="checkbox"/>	-	-	MILITARY P/N M24308/2-31F MARKED ON PACKAGE	
68	68	B	204351-1 CONTACT, SOCKET, SIZE 22D	3
1	-	B	91067-1 INSERTION & EXTRACTION TOOL	2
1	-	A	204530-1 RECEPTACLE ASS'Y. SIZE #4	1
3	2	1	DWG NUMBER	NAME
204542	204542	204542		

UNLESS OTHERWISE SPECIFIED DIMENSIONS ARE IN INCHES
TOLERANCES ON:
DECIMALS ± #
ANGLES ± #

MATERIAL

CONTRACT NO.

DR. L. Morningstar 12-29-70

CHK [Signature] 1-19-71

APPD [Signature] 1-19-71

REL [Signature] 1-19-71

DSGN APPD [Signature]

OTHER APPD

AMP

AMP INCORPORATED
HARRISBURG, PENNSYLVANIA

NAME
KIT, "HDD" SERIES
RECEPTACLE, SIZE #4

SIZE	CODE IDENT NO.	NUMBER	REV
B	00779	204542	E

SCALE // SHEET 1 OF 1

X-ON Electronics

Largest Supplier of Electrical and Electronic Components

Click to view similar products for [D-Sub MIL Spec Connectors](#) category:

Click to view products by [TE Connectivity](#) manufacturer:

Other Similar products are found below :

[M85049/50-5F](#) [D38999/24WG11PB-LC](#) [MDM-9SH006A](#) [1218697-4](#) [D38999/26WJ61PC L/C](#) [1484349-1](#) [17D25HV](#) [1996840-1](#) [243082-15](#)
[1757682-1](#) [17D-E51218-1](#) [17SDA15S](#) [1883533-1](#) [1883886-1](#) [1883889-1](#) [192900-0377](#) [M24308/8-347](#) [M83513/03-E09C](#) [443961-3](#) [5-](#)
[1218949-1](#) [550-031NF1R6K](#) [3-1236089-2](#) [550E001NF1R3J0L](#) [550T001NF1R6K0L](#) [557T283NF5B08](#) [DB121073-56](#) [DC121073157](#)
[443869-3](#) [443869-4](#) [443869-5](#) [550S004NF1R1B0F03](#) [557E283NF1A06](#) [527-019NF0303R2K1F](#) [5-446405-1](#) [550-031NF1R2E](#)
[550E003M2R9J0F04](#) [550E003M3R9J0F05](#) [550E024M104R9J0](#) [550E024NF102R3J0B](#) [550E039NF1R3J1-02](#) [550S003M3R9B0F05](#)
[550S004M4R7M0F04](#) [550S004NF1R1B1F02](#) [550S008M3F0K0F04](#) [550S086M5R3J0L](#) [550S100NF3F0E](#) [550T001M2R7E0L](#)
[550T001NF1F0B1L](#) [550T001NF1R1K0G](#) [550T001NF1R3K0G](#)