

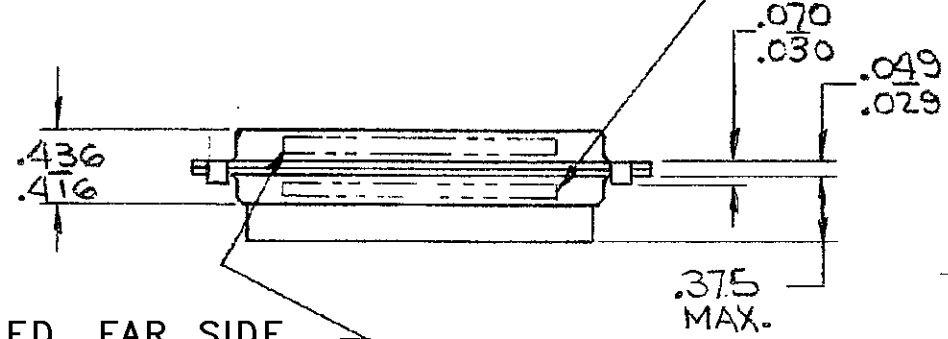
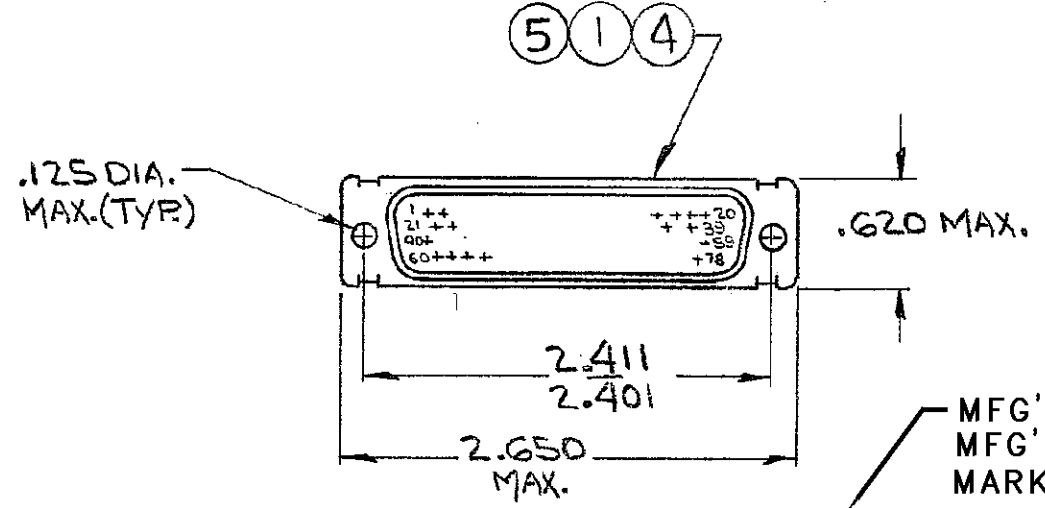
DRAWING MADE IN AMERICAN PROJECTION

© 1970 BY AMP INCORPORATED. ALL RIGHTS RESERVED. AMP PRODUCTS COVERED BY PATENTS AND/OR PATENTS PENDING.

Unpublished copy not to be reproduced without written permission of AMP Incorporated.

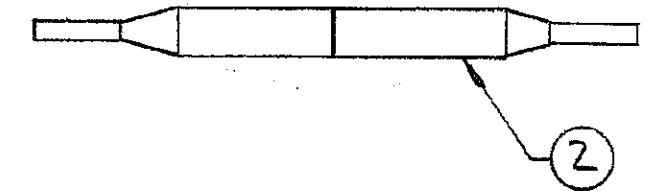
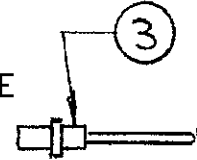
REVISIONS				
ZONE	LTR	DESCRIPTION	DATE	APPROVED
	A	REV. PER ECN B-684	4/11/72	[Signature]
	B	REV. PER ECN B-948	5/19/73	[Signature]
	C	ITEM 2 WAS 91054-1 ECN C-878	3/19/74	[Signature]
	D	REV PER ECN J-709	9-8-80	[Signature]
	E	REV PER DF-0021 & DF0160 & DF-0541 & R-2670 & DF-0370	6-2-88	EAM
	F	REV PER DF4250	5-91	AE
	G	REV PER 0600-6676-97	7-98	CT
	H	ECO-08-023688	11-08	BW

D
S
C
B
A



MARKED, FAR SIDE
M 24308/4-15 (1, 2, 3, F ONLY)
M 24308/8-15 (4, 5, 6 ONLY)
MARKED, FAR SIDE
10D649, LITTON IND. P/N (-7 ONLY)

MFG'S NAME, BRAND OR LOGO, MFG'S PART NO AND DATE CODE MARKED, FAR SIDE



1	2	3	4	5	6	7	8	9	10	DESCRIPTION	ITEM NO.
										C 204509-4 PLUG ASSY, SIZE 5 (STEEL SHELL)	5
X										LITTON IND. P/N 10D649 MARKED ON PACKAGE	
		X								MIL No. M24308/8-15F MARKED ON PACKAGE	
				X						MIL No. M24308/4-15F MARKED ON PACKAGE	
	X									MIL No. M24308/8-21F MARKED ON PACKAGE	
				X						MIL No. M24308/4-21F MARKED ON PACKAGE	
	1	1	1							C 204509-2 PLUG ASSY, SIZE 5 (BRASS SHELL)	4
18	18	18		18	18					B 204370-2 CONTACT, PIN - SIZE 22D	3
	1	1	1	1	1					B 91067-1 INSERTION/EXTRACTION TOOL	2
	1			1	1					C 204509-1 PLUG ASSY, SIZE 5 (STEEL SHELL)	1
7	6	5	4	3	2	1				SIZE NUMBER	ITEM No.

LOC
DF
4968

△ SUPSD BY 206504-4 & (78) 204370-8

UNLESS OTHERWISE SPECIFIED DIMENSIONS ARE IN INCHES TOLERANCES ON: DECIMALS ± # ANGLES ± #	CONTRACT NO.	AMP INCORPORATED HARRISBURG, PENNSYLVANIA	
	DR. [Signature] 12/1/70	NAME KIT, "HDD" SERIES, PLUG, SIZE #5 (78 POS.)	
MATERIAL #	CHKD [Signature] 12-3-70	SIZE	CODE IDENT NO.
	APPD [Signature] 12-8-70	B	00779
	REL [Signature] 12-9-70	NUMBER	204521
	DSGN APPD	REV	H
	OTHER APPD	SCALE #	SHEET 1 OF 1

X-ON Electronics

Largest Supplier of Electrical and Electronic Components

Click to view similar products for [D-Sub MIL Spec Connectors](#) category:

Click to view products by [TE Connectivity](#) manufacturer:

Other Similar products are found below :

[M85049/50-5F](#) [850-056-0812](#) [1218697-4](#) [1484349-1](#) [17D25HV](#) [1996840-1](#) [243082-15](#) [1757682-1](#) [17D-E51218-1](#) [17SDA15S](#) [1883533-1](#)
[1883886-1](#) [1883889-1](#) [192900-0377](#) [M24308/8-347](#) [M83513/03-E09C](#) [443961-3](#) [5-1218949-1](#) [550-031NF1R6K](#) [3-1236089-2](#)
[550E001NF1R3J0L](#) [550T001NF1R6K0L](#) [557T283NF5B08](#) [DB121073-56](#) [DC121073157](#) [443869-3](#) [443869-4](#) [443869-5](#)
[550S004NF1R1B0F03](#) [557E283NF1A06](#) [527-019NF0303R2K1F](#) [5-446405-1](#) [550-031NF1R2E](#) [550E003M2R9J0F04](#) [550E003M3R9J0F05](#)
[550E024M104R9J0](#) [550E024NF102R3J0B](#) [550E039NF1R3J1-02](#) [550S003M3R9B0F05](#) [550S004M4R7M0F04](#) [550S004NF1R1B1F02](#)
[550S008M3F0K0F04](#) [550S086M5R3J0L](#) [550S100NF3F0E](#) [550T001M2R7E0L](#) [550T001NF1F0B1L](#) [550T001NF1R1K0G](#)
[550T001NF1R3K0G](#) [550T001NF1R4K0L](#) [550T001NF2R2K0L](#)