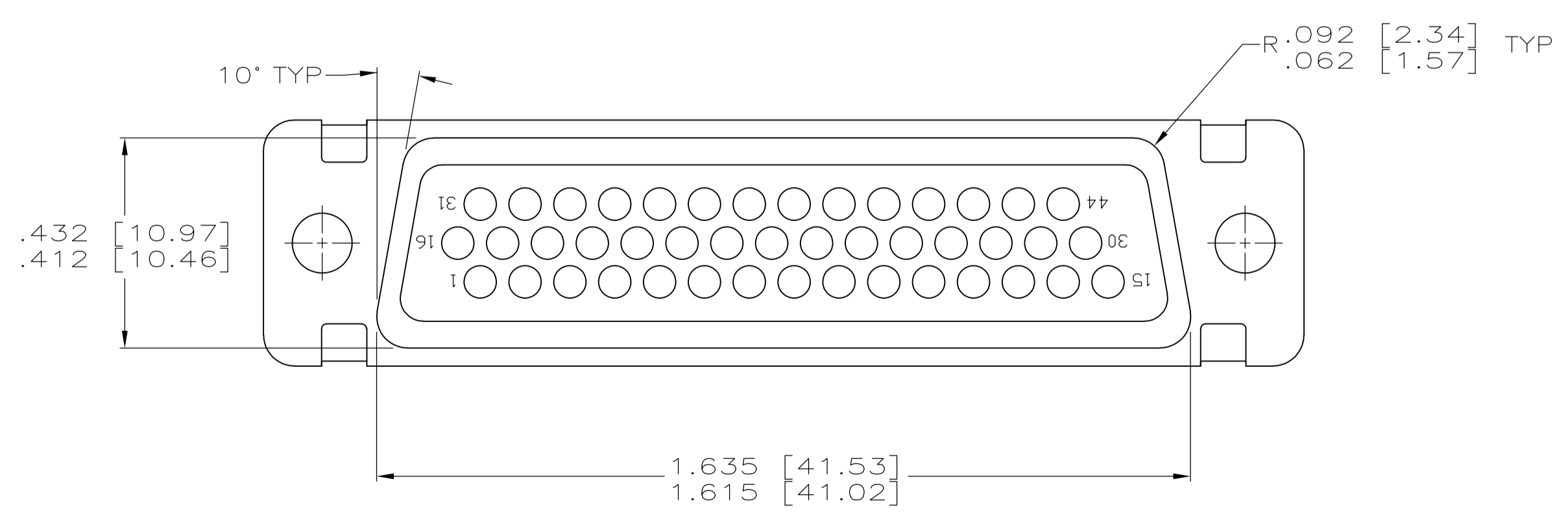
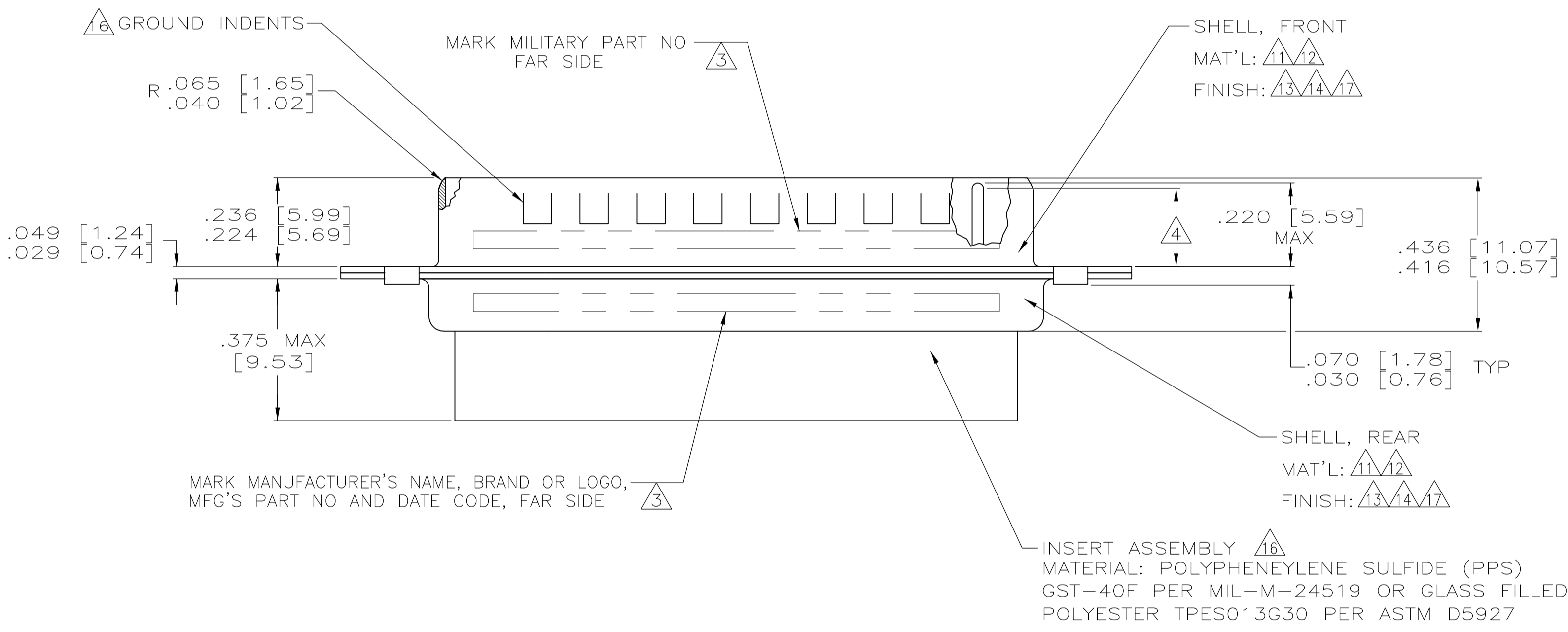
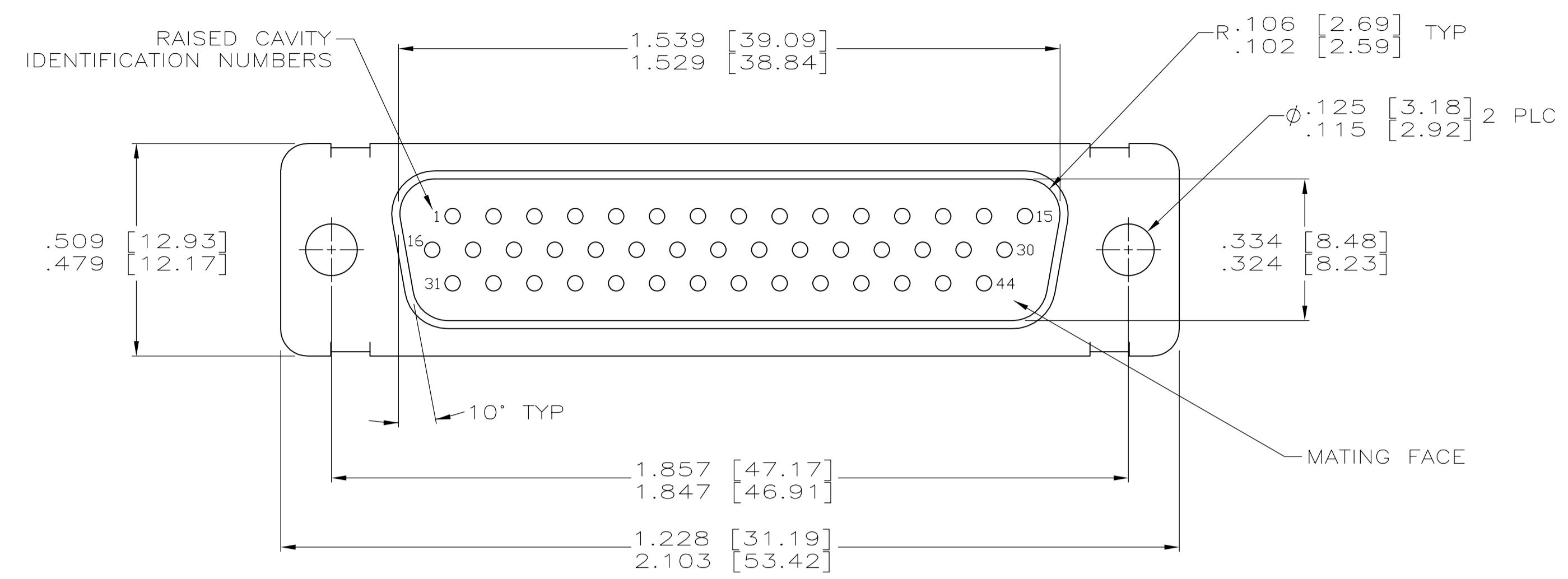


LOC		DIST		REVISIONS			
P	LTR	DATE	BY	CHK	APPV		
Z		REVISED PER ECO-15-016062	09NOV15	KG	CD		



- THIS CONNECTOR ASSEMBLY IS SUPPLIED WITH METAL CONTACT RETENTION CLIPS INSTALLED IN THE INSERT ASSEMBLY.
- THIS CONNECTOR ASSEMBLY MEETS THE REQUIREMENTS OF MIL-C-24308 AND MATES WITH ANY RECEPTACLE CONNECTOR WITH THE SAME INSERT ARRANGEMENT.
- THE PART NUMBER MARKED ON THE CONNECTOR MAY DIFFER FROM THE PART NUMBER ORDERED DUE TO THE MARKING REQUIREMENTS OF MIL-C-24308 (PART NUMBER MARKED ON CONNECTOR REPRESENTS CONNECTOR ASSEMBLY WITH CONTACTS). MARK WITH .047 [1.19]-.062 [1.57] HIGH CHARACTERS. FAR SIDE REFERS TO THE WIDE SIDE OF THE KEYSTONE.
- FULL PIN DIAMETER EXTENSION IS .155 [3.94] MIN. CONTACT NOT INCLUDED - SHOWN FOR DIMENSIONAL REFERENCE ONLY.
- THIS CONNECTOR ASSEMBLY IS DESIGNED TO ACCEPT SIZE 22 CRIMP TYPE PIN CONTACT MILITARY PART NUMBER M39029/58-360 (TE PART NUMBER 204370-2). FOR ALTERNATE CONTACT OPTIONS CONSULT TE CATALOG.
- MAXIMUM WIRE INSULATION TO BE USED WITH THIS CONNECTOR ASSEMBLY IS .054 [1.37] DIAMETER.
- FOR CONTACT CRIMPING INSTRUCTION SHEET REFER TO TE IS 7516. FOR CONTACT INSTALLATION AND REMOVAL INSTRUCTION SHEET REFER TO TE IS 7508.
- PART NUMBER FOR ORDERING.
- DIMENSIONS AND TOLERANCES PER ANSI Y14.5M-1982.
- THIS DRAWING SHALL BE INTERPRETED IN ACCORDANCE WITH APPLICABLE STANDARDS LISTED IN MIL-STD-100.
- MATERIAL: BRASS ALLOY PER ASTM B 36.
- MATERIAL: STEEL PER ASTM-A-109 OR EQUIVALENT.
- FINISH: CADMIUM PER QQ-P-416, TYPE II, CLASS 2 OVER COPPER PER AMS2418, CLASS 4.
- FINISH: TIN PER ASTM-B-545, .000200 MIN THICK OVER .000050 TO .000200 COPPER PER AMS2418.
- INSERT MATERIAL FOR 204505-3: PHENOLIC COLOR: BLACK.
- FRONT SHELL HAS GROUND INDENTS ON 204505-4 & -5 ONLY.
- FINISH: BRIGHT TIN PER ASTM-B-545, .000400-.000550 THK OVER COPPER PER AMS2418, .000050 MIN THK.

	12, 17	MS18275-2	44	3	-----	-----	204505-6	204505-6
	12, 17, 16	MS18275-2	44	3	-----	-----	204505-5	204505-5
	12, 14, 16	MS18275-2	44	3	-----	-----	204505-4	204505-4
SUPSD. BY 204505-1	12, 13	MS18275-2	44	3	-----	-----	204505-3	204505-3
SUPSD. BY 593064-3	11, 13	MS18275-2	44	3	M24308/8-266F	M24308/8-13F	204517-5	204505-2
	12, 13	MS18275-2	44	3	M24308/4-266F	M24308/4-13F	204517-2	204505-1
REMARKS	INSERT ARRANGEMENT	NO OF POS	SHELL SIZE	PACKAGE MILITARY P/N	MILITARY P/N ON CONNECTOR	TE P/N ON CONNECTOR	PART NUMBER	

THIS DRAWING IS A CONTROLLED DOCUMENT.

DIMENSIONS: INCHES	TOLERANCES UNLESS OTHERWISE SPECIFIED:	0 PLC ± .005	1 PLC ± .005	2 PLC ± .005	3 PLC ± .005	4 PLC ± .005	ANGLES ± .1°
--------------------	--	--------------	--------------	--------------	--------------	--------------	--------------

MATERIAL: SEE CALLOUTS

FINISH: SEE CALLOUTS

THIS DRAWING IS A CONTROLLED DOCUMENT.

DESIGNED BY: AJ GRAFF	DATE: 06JAN93	APPROVED BY: B GILLMAN	DATE: 06JAN93
DESIGNED BY: F KINSEY	DATE: 06JAN93	APPROVED BY: F KINSEY	DATE: 06JAN93

NAME: AMPLIMITE PLUG ASSY WITHOUT SIZE 22D CRIMP TYPE PIN CONTACTS SERIES 90, SHELL SIZE 3

PRODUCT SPEC: MIL-C-24308

APPLICATION SPEC: ---

SIZE: A1

WEIGHT: ---

CAGE CODE: 00779

DRAWING NO: 204505

RESTRICTED TO: ---

CUSTOMER DRAWING

SCALE: 4:1

SHEET: 1 OF 1

REV: 2

X-ON Electronics

Largest Supplier of Electrical and Electronic Components

Click to view similar products for [D-Sub MIL Spec Connectors](#) category:

Click to view products by [TE Connectivity](#) manufacturer:

Other Similar products are found below :

[M85049/50-5F](#) [D38999/24WG11PB-LC](#) [MDM-9SH006A](#) [1218697-4](#) [D38999/26WJ61PC L/C](#) [1484349-1](#) [17D25HV](#) [1996840-1](#) [243082-15](#)
[1757682-1](#) [17D-E51218-1](#) [17SDA15S](#) [1883533-1](#) [1883886-1](#) [1883889-1](#) [192900-0377](#) [M24308/8-347](#) [M83513/03-E09C](#) [443961-3](#) [5-](#)
[1218949-1](#) [550-031NF1R6K](#) [3-1236089-2](#) [550E001NF1R3J0L](#) [550T001NF1R6K0L](#) [557T283NF5B08](#) [DB121073-56](#) [DC121073157](#)
[443869-3](#) [443869-4](#) [443869-5](#) [550S004NF1R1B0F03](#) [557E283NF1A06](#) [527-019NF0303R2K1F](#) [5-446405-1](#) [550-031NF1R2E](#)
[550E003M2R9J0F04](#) [550E003M3R9J0F05](#) [550E024M104R9J0](#) [550E024NF102R3J0B](#) [550E039NF1R3J1-02](#) [550S003M3R9B0F05](#)
[550S004M4R7M0F04](#) [550S004NF1R1B1F02](#) [550S008M3F0K0F04](#) [550S086M5R3J0L](#) [550S100NF3F0E](#) [550T001M2R7E0L](#)
[550T001NF1F0B1L](#) [550T001NF1R1K0G](#) [550T001NF1R3K0G](#)