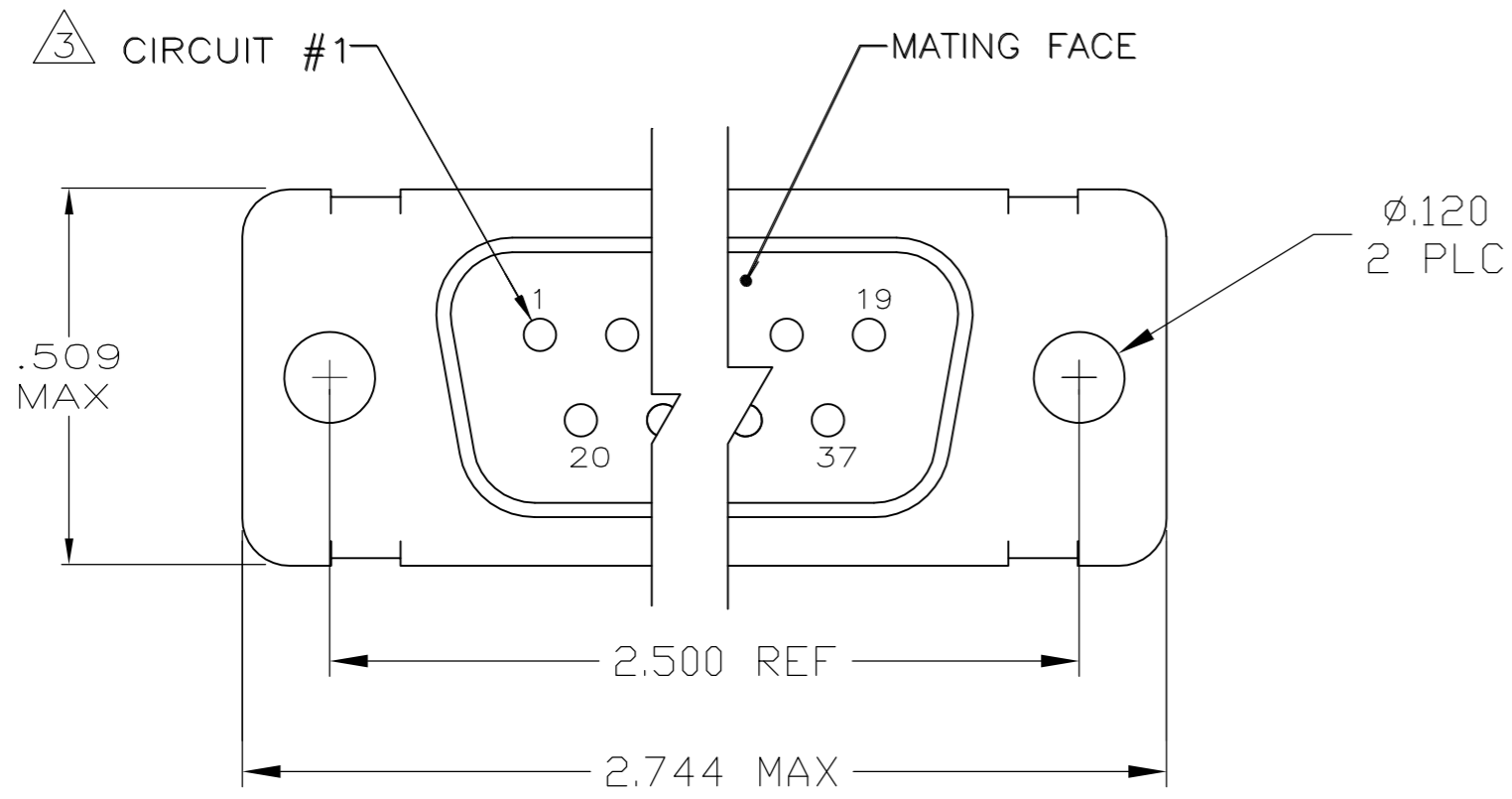
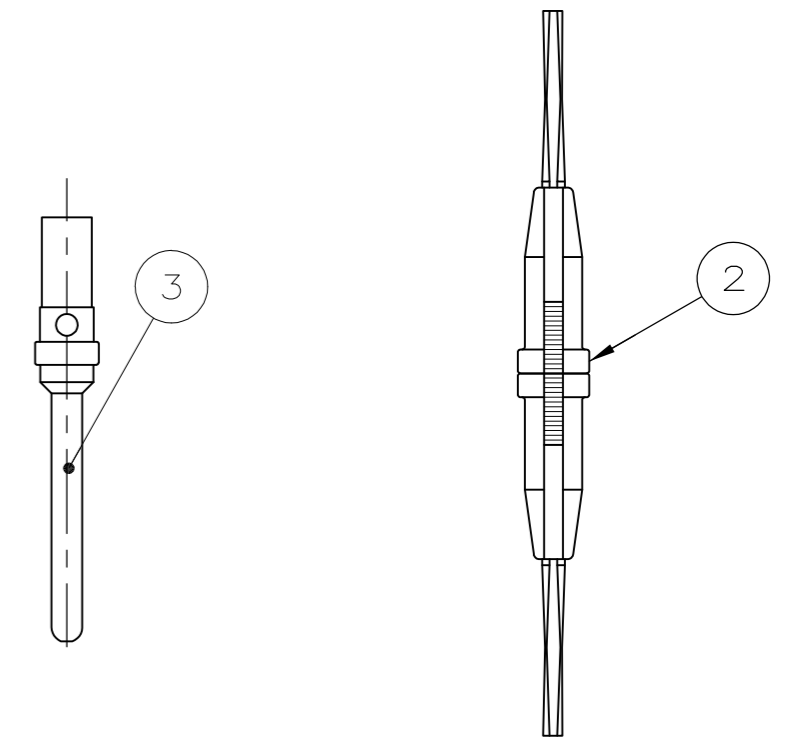
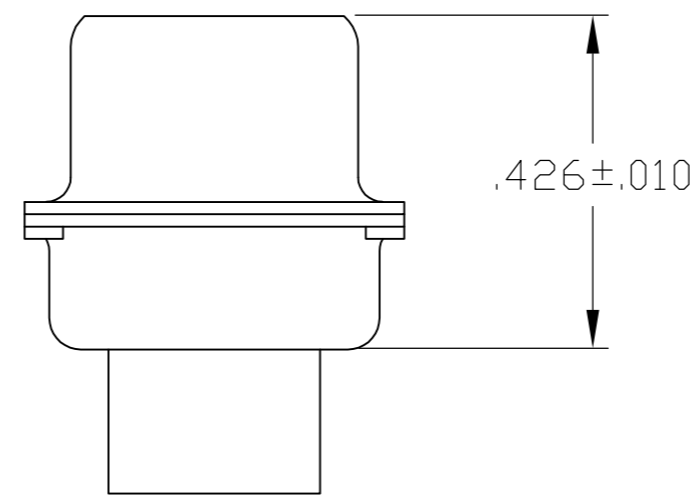
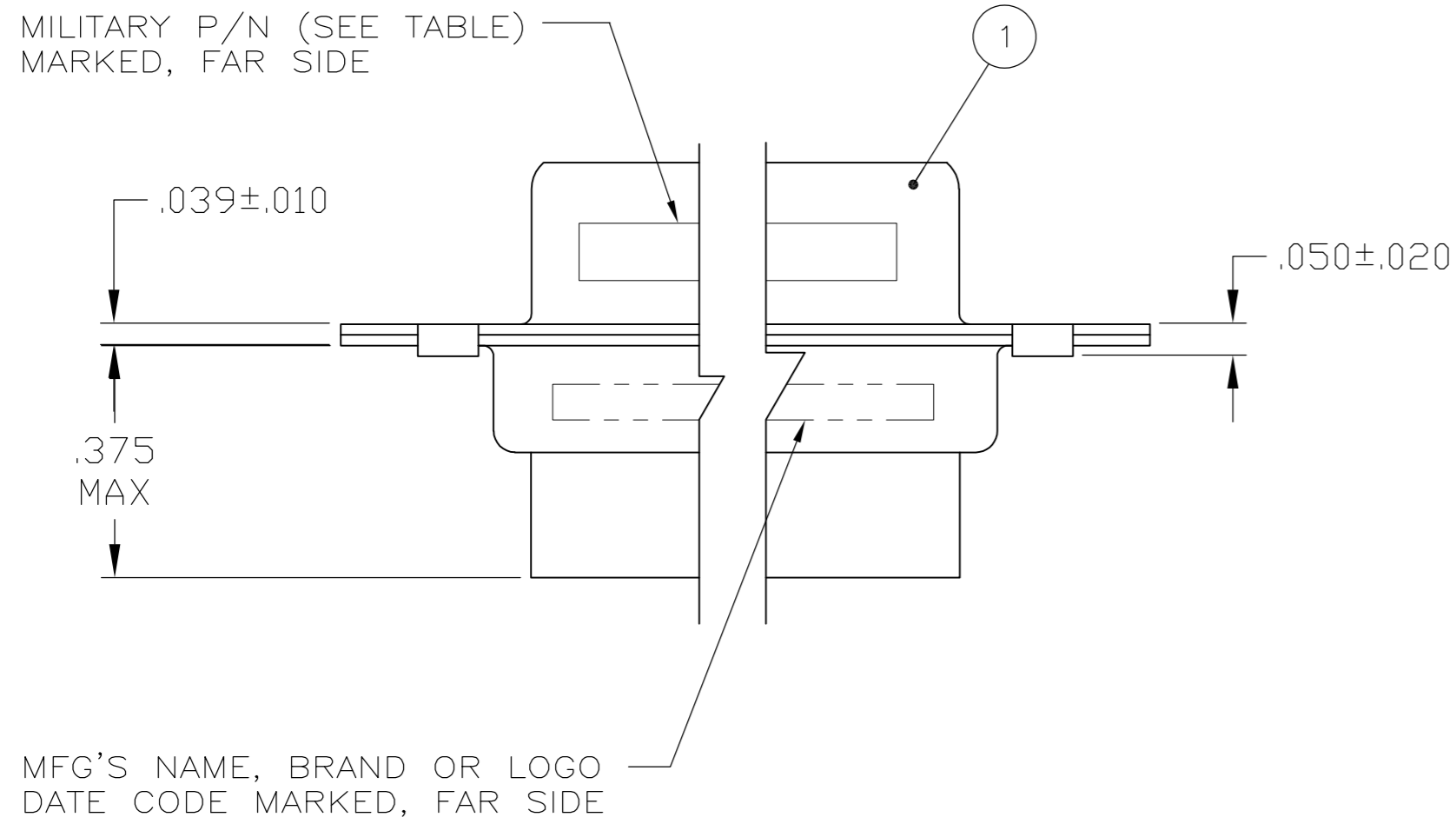


THIS DRAWING IS UNPUBLISHED. RELEASED FOR PUBLICATION
 © COPYRIGHT BY TYCO ELECTRONICS CORPORATION. ALL INTERNATIONAL RIGHTS RESERVED.

LOC		DIST		REVISIONS			
P	LTR	DESCRIPTION	DATE	DWN	APVD		
	K	REV PER ECO 10-012636	08JUL10	PY	RL		



1 FOR CONNECTOR ASSEMBLIES, TE CONTACT PART NOS. 205089-1 MUST BE ORDERED SEPARATELY. CONNECTORS WITH CONTACTS ARE SUPPLIED WITH CONTACT 205089-1



OBSELETE	205562-5	M24308/8-9F	205089-1	91067-2	205168-2	205562-5
SUPERSEDED BY 206802-2 AND 205089-1	205562-4	M24308/8-4F	205089-1	-	205168-2	205562-4
	205562-3	M24308/4-9F	205089-1	91067-2	205168-1	205562-3
	205562-2	M24308/4-4F	205089-1	-	205168-1	205562-2
SUPERSEDED BY 205168-1 AND 91067-2	205562-1	-	-	91067-2	205168-1	205562-1

TE P/N MARKED ON PACKAGE	MILITARY P/N MARKED ON PACKAGE	3 PIN CONTACT QTY. = 37	1	2 INSERTION/EXTRACTION TOOL QTY. = 1	1 PLUG ASSY QTY. = 1	PART NUMBER
--------------------------	--------------------------------	-------------------------	---	--------------------------------------	----------------------	-------------

THIS DRAWING IS A CONTROLLED DOCUMENT.

DWN P. YEAGER 11MAR09	Tyco Electronics Corporation Harrisburg, PA 17105-3608
CHK R. LEASE 12MAR09	
APVD R. LEASE 12MAR09	
PRODUCT SPEC	
APPLICATION SPEC	NAME
WEIGHT	SIZE CAGE CODE DRAWING NO RESTRICTED TO
CUSTOMER DRAWING	A2 00779 C=205562
SCALE 4:1	SHEET 1 of 1
REV K	

DIMENSIONS:	TOLERANCES UNLESS OTHERWISE SPECIFIED:
INCHES	
	0 PLC ± -
	1 PLC ± -
	2 PLC ± -
	3 PLC ± .005
	4 PLC ± -
	ANGLES ± -
MATERIAL	FINISH
-	-

X-ON Electronics

Largest Supplier of Electrical and Electronic Components

Click to view similar products for [D-Sub MIL Spec Connectors](#) category:

Click to view products by [TE Connectivity](#) manufacturer:

Other Similar products are found below :

[M85049/50-5F](#) [850-056-0812](#) [1218697-4](#) [1484349-1](#) [17D25HV](#) [1996840-1](#) [243082-15](#) [1757682-1](#) [17D-E51218-1](#) [17SDA15S](#) [1883533-1](#)
[1883886-1](#) [1883889-1](#) [192900-0377](#) [M24308/8-347](#) [M83513/03-E09C](#) [443961-3](#) [5-1218949-1](#) [550-031NF1R6K](#) [3-1236089-2](#)
[550E001NF1R3J0L](#) [550T001NF1R6K0L](#) [557T283NF5B08](#) [DB121073-56](#) [DC121073157](#) [443869-3](#) [443869-4](#) [443869-5](#)
[550S004NF1R1B0F03](#) [557E283NF1A06](#) [527-019NF0303R2K1F](#) [5-446405-1](#) [550-031NF1R2E](#) [550E003M2R9J0F04](#) [550E003M3R9J0F05](#)
[550E024M104R9J0](#) [550E024NF102R3J0B](#) [550E039NF1R3J1-02](#) [550S003M3R9B0F05](#) [550S004M4R7M0F04](#) [550S004NF1R1B1F02](#)
[550S008M3F0K0F04](#) [550S086M5R3J0L](#) [550S100NF3F0E](#) [550T001M2R7E0L](#) [550T001NF1F0B1L](#) [550T001NF1R1K0G](#)
[550T001NF1R3K0G](#) [550T001NF1R4K0L](#) [550T001NF2R2K0L](#)