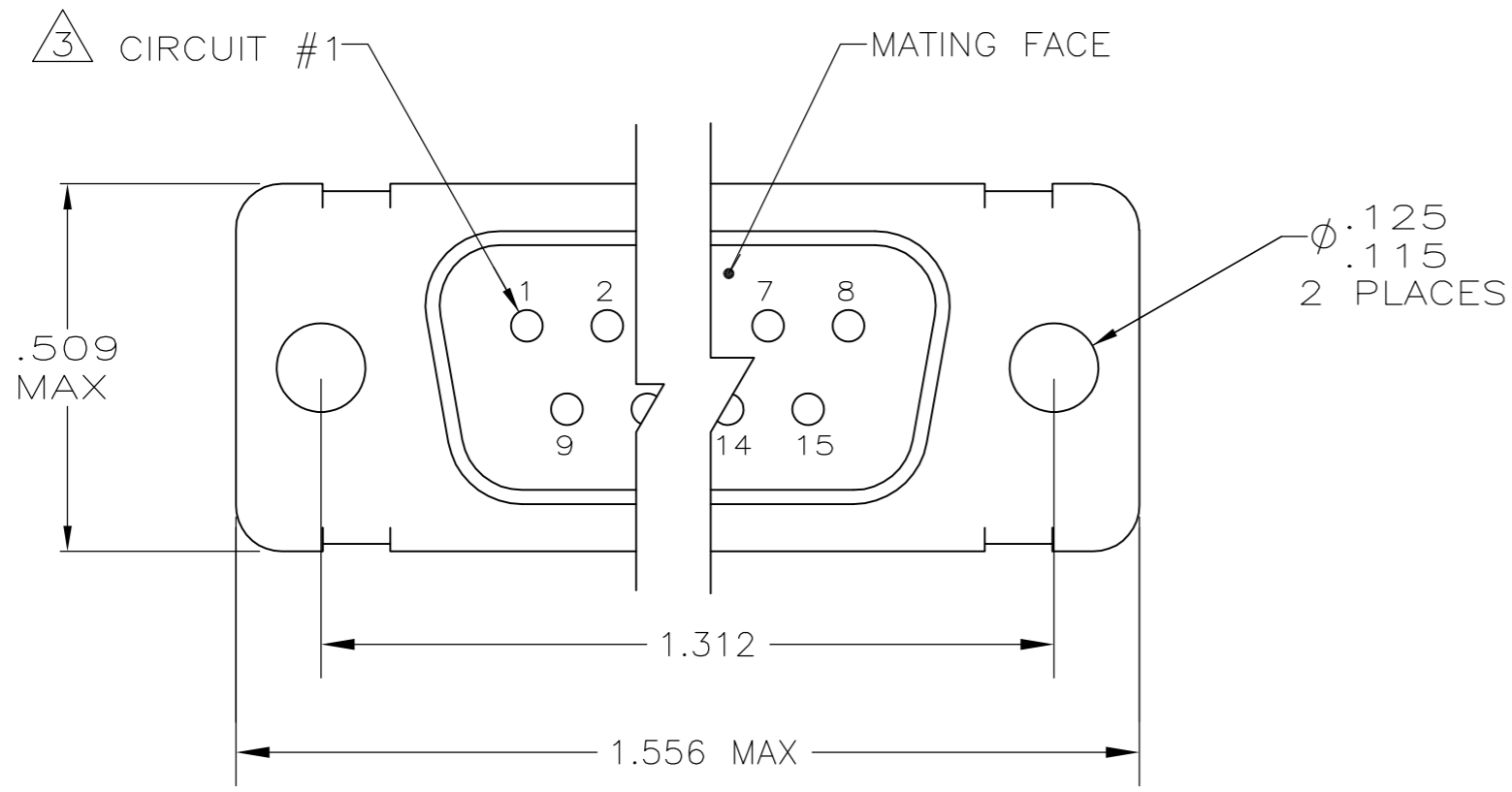
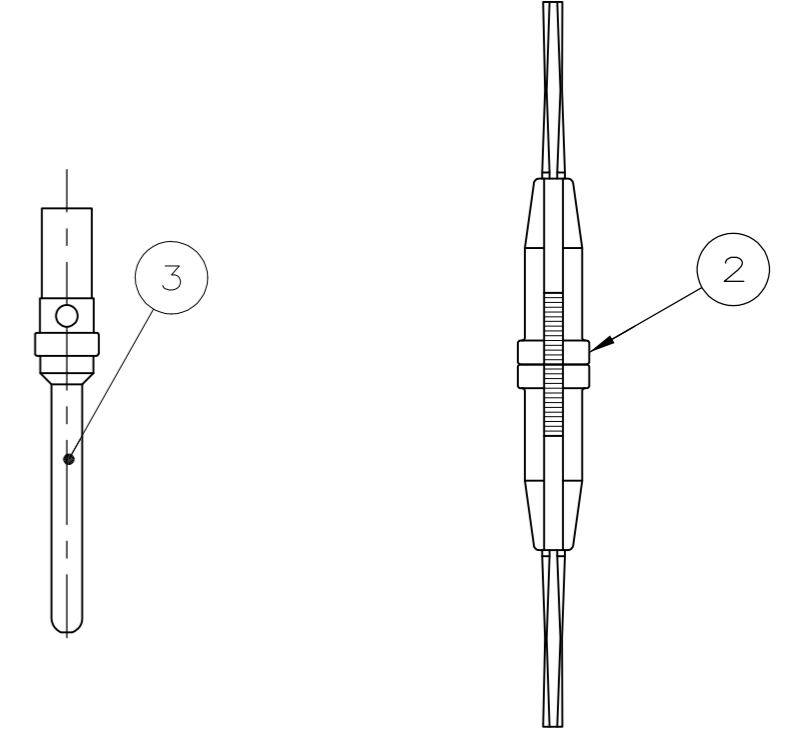
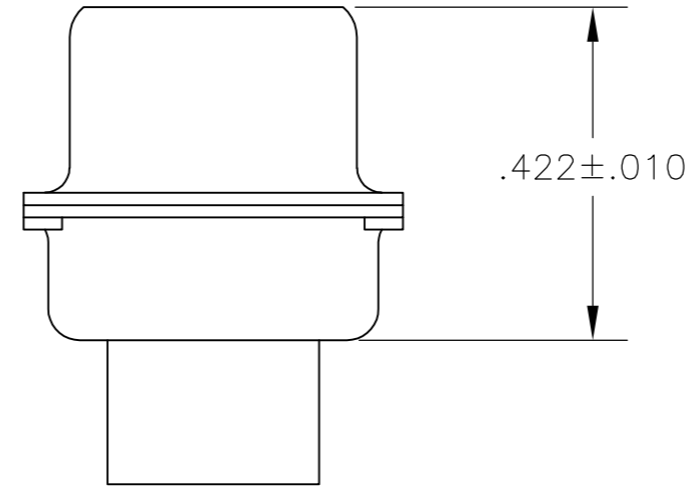
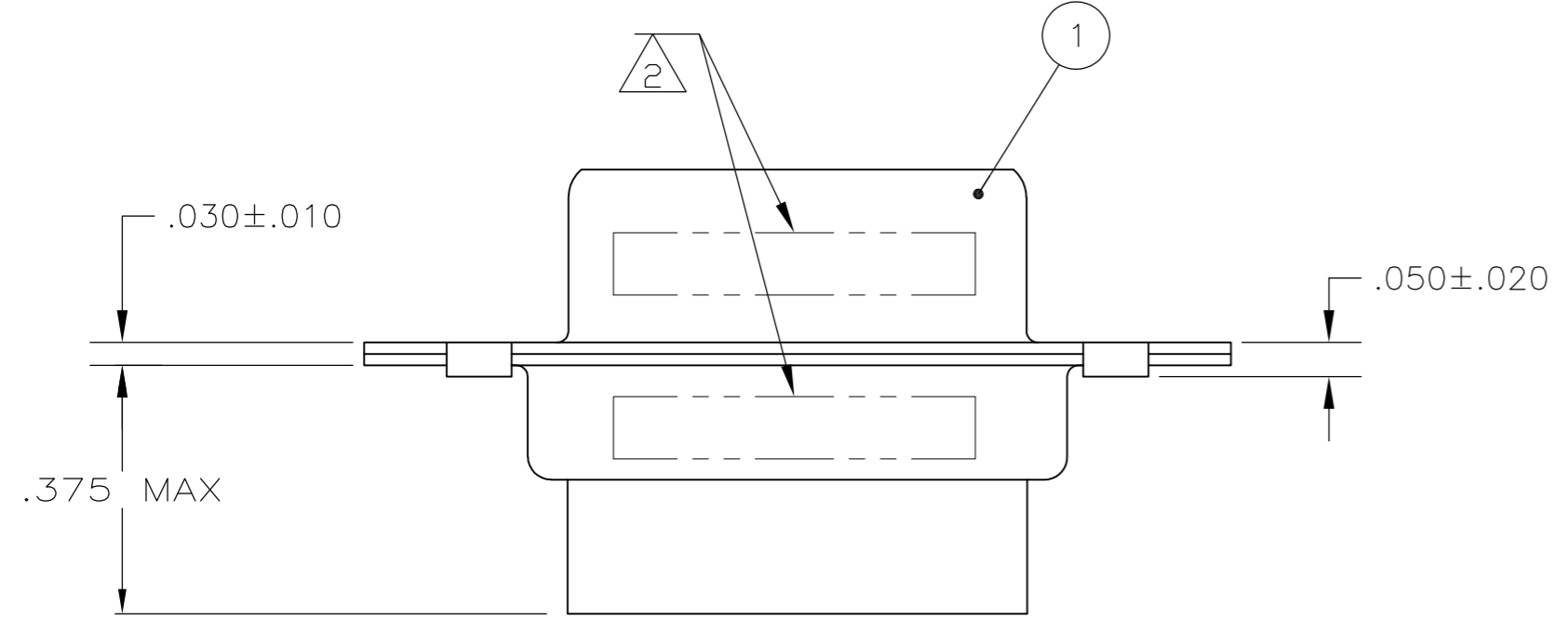


THIS DRAWING IS UNPUBLISHED. RELEASED FOR PUBLICATION
 © COPYRIGHT BY TYCO ELECTRONICS CORPORATION. ALL INTERNATIONAL RIGHTS RESERVED.

| LOC | | DIST | | REVISIONS | | | |
|-----|-----|-----------------------|--|-----------|-----|------|--|
| P | LTR | DESCRIPTION | | DATE | DWN | APVD | |
| | H | REV PER ECO 09-016309 | | 9-1-09 | CT | RL | |



- ① FOR CONNECTOR ASSEMBLIES, TE CONTACT PART NOS. 205089-1 MUST BE ORDERED SEPARATELY. CONNECTORS WITH CONTACTS ARE SUPPLIED WITH CONTACT 205089-1
- ② MARKING SHALL BE LOCATED ON PART AS FOLLOWS:
 - A. "M24308" ON FRONT SHELL, FAR SIDE.
 - B. SLASH SHEET AND DASH NUMBER ON REAR SHELL, FAR SIDE.
 - C. "MFG'S NAME, BRAND OR LOGO" AND DATE CODE ON FRONT SHELL, NEAR SIDE.
 - D. MFG'S PART NUMBER ON REAR SHELL, NEAR SIDE.



| | | | | | | |
|---------------------------------------------|----------|-------------|-------------|----------|----------|----------|
| SUPERSEDED BY 206795-2 & 205089-1 & 91067-2 | 205558-5 | M24308/8-7F | 205089-1 | 91067-2 | 205164-2 | 205558-5 |
| | OBSOLETE | 205558-4 | M24308/8-2F | 205089-1 | - | 205558-4 |
| | | 205558-3 | M24308/4-7F | 205089-1 | 91067-2 | 205558-3 |
| | | 205558-2 | M24308/4-2F | 205089-1 | - | 205558-2 |
| SUPERSEDED BY 205164-1 AND 91067-2 | 205558-1 | - | - | 91067-2 | 205164-1 | 205558-1 |

| | | | | | | |
|--------------------------|--------------------------------|-------------------------|---|--------------------------------------|----------------------|-------------|
| TE P/N MARKED ON PACKAGE | MILITARY P/N MARKED ON PACKAGE | ③ PIN CONTACT QTY. = 15 | ① | ② INSERTION/EXTRACTION TOOL QTY. = 1 | ① PLUG ASSY QTY. = 1 | PART NUMBER |
|--------------------------|--------------------------------|-------------------------|---|--------------------------------------|----------------------|-------------|

THIS DRAWING IS A CONTROLLED DOCUMENT.

| | |
|-----------------------|-----------------------------------------------------------|
| DWN P. YEAGER 11MAR09 | Tyco Electronics Corporation Harrisburg, PA 17105-3608 |
| CHK R. LEASE 12MAR09 | |
| APVD R. LEASE 12MAR09 | |
| PRODUCT SPEC | |
| APPLICATION SPEC | NAME |
| WEIGHT | SIZE CAGE CODE DRAWING NO RESTRICTED TO |
| CUSTOMER DRAWING | A2 00779 C=205558 |
| SCALE 4:1 | SHEET 1 of 1 |
| REV H | |

205558

X-ON Electronics

Largest Supplier of Electrical and Electronic Components

Click to view similar products for [D-Sub MIL Spec Connectors](#) category:

Click to view products by [TE Connectivity](#) manufacturer:

Other Similar products are found below :

[M85049/50-5F](#) [D38999/24WG11PB-LC](#) [MDM-9SH006A](#) [850-056-0812](#) [1218697-4](#) [D38999/26WJ61PC L/C](#) [1484349-1](#) [17D25HV](#)
[1996840-1](#) [243082-15](#) [1757682-1](#) [17D-E51218-1](#) [17SDA15S](#) [1883533-1](#) [1883886-1](#) [1883889-1](#) [192900-0377](#) [M24308/8-347](#) [M83513/03-](#)
[E09C](#) [443961-3](#) [5-1218949-1](#) [550-031NF1R6K](#) [3-1236089-2](#) [550E001NF1R3J0L](#) [550T001NF1R6K0L](#) [557T283NF5B08](#) [DC121073157](#)
[443869-3](#) [443869-4](#) [443869-5](#) [550S004NF1R1B0F03](#) [557E283NF1A06](#) [527-019NF0303R2K1F](#) [5-446405-1](#) [550-031NF1R2E](#)
[550E003M2R9J0F04](#) [550E003M3R9J0F05](#) [550E024M104R9J0](#) [550E024NF102R3J0B](#) [550E039NF1R3J1-02](#) [550S003M3R9B0F05](#)
[550S004M4R7M0F04](#) [550S004NF1R1B1F02](#) [550S008M3F0K0F04](#) [550S086M5R3J0L](#) [550S100NF3F0E](#) [550T001M2R7E0L](#)
[550T001NF1F0B1L](#) [550T001NF1R1K0G](#) [550T001NF1R3K0G](#)