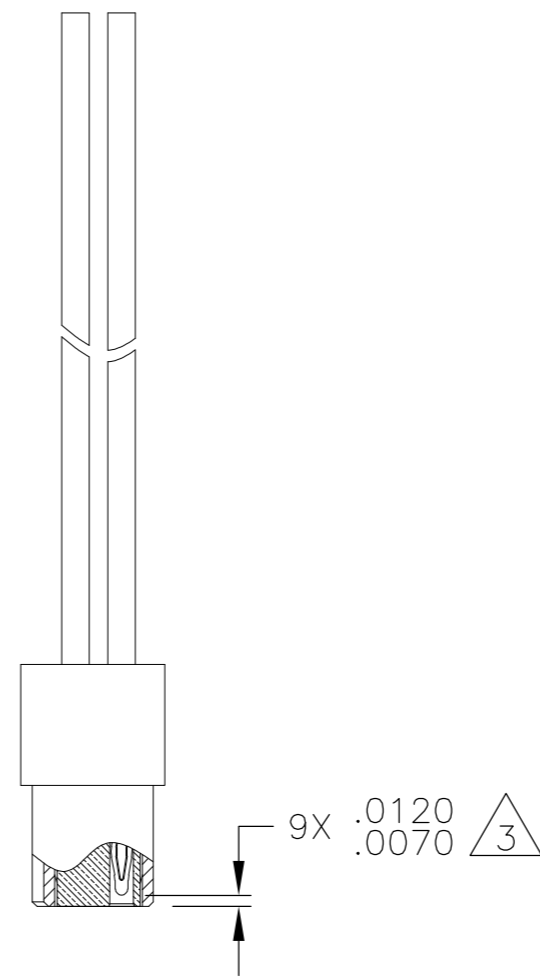
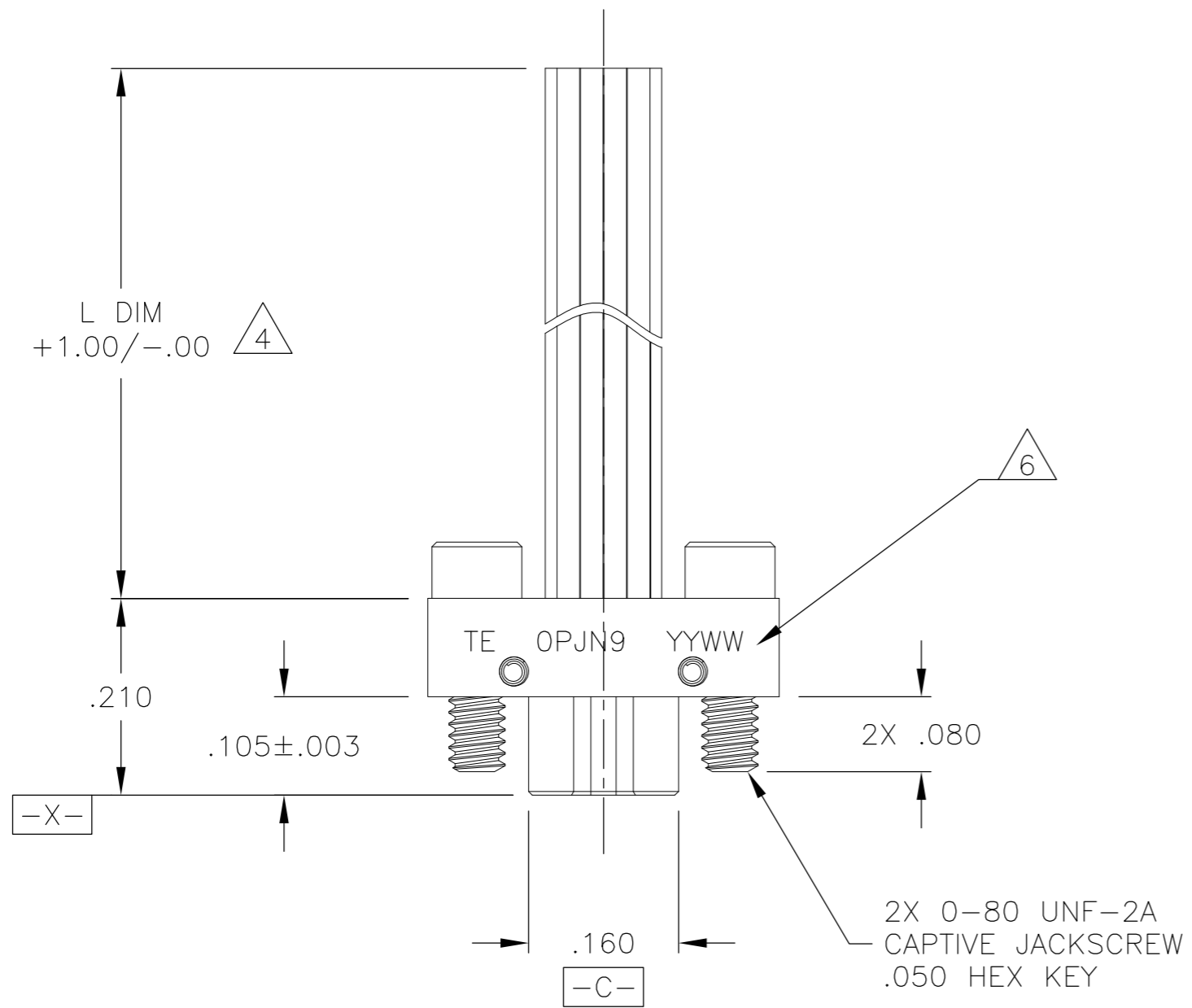
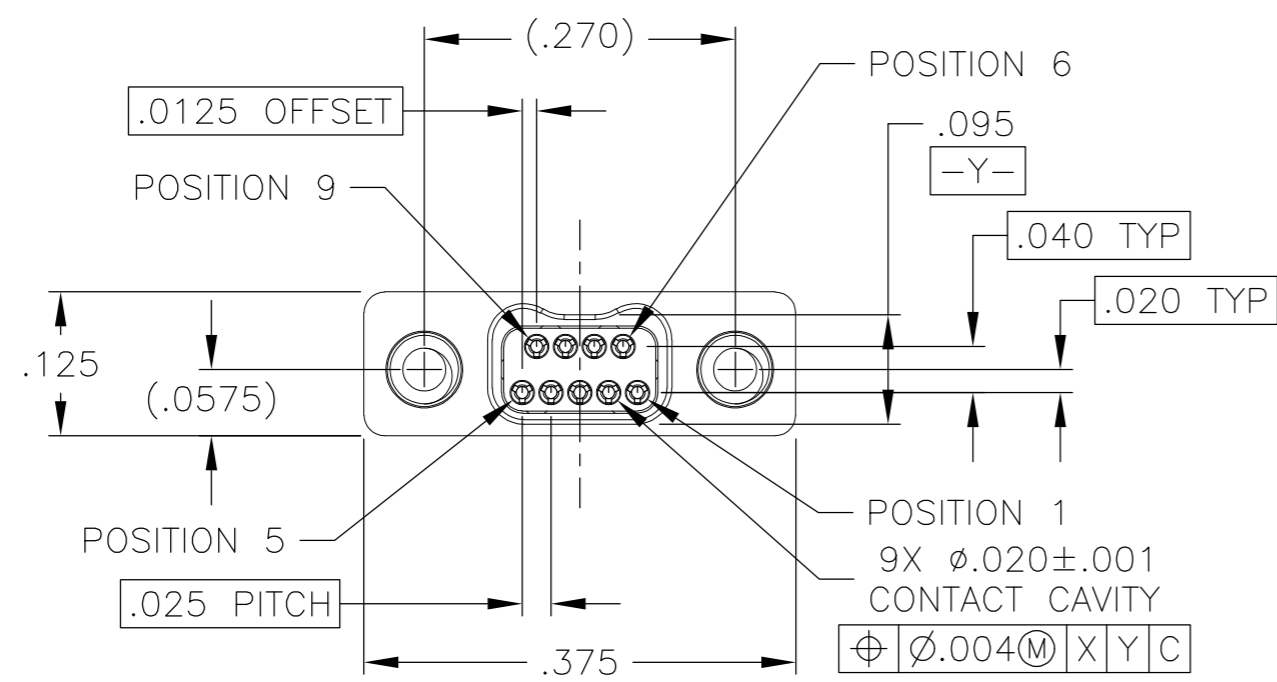
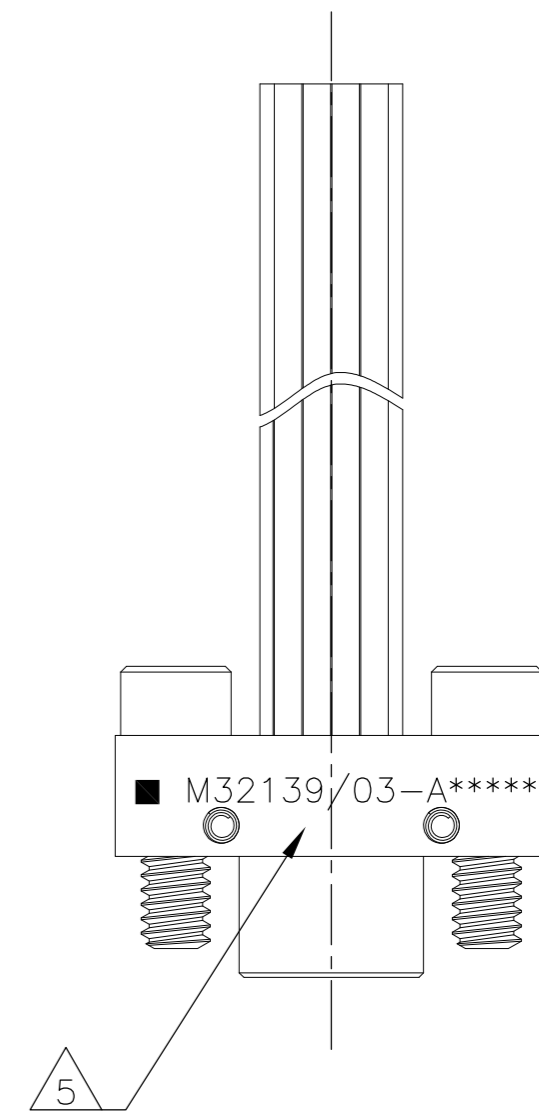


THIS DRAWING IS UNPUBLISHED. RELEASED FOR PUBLICATION
 © COPYRIGHT - By - ALL RIGHTS RESERVED.

LOC		DIST		REVISIONS			
P	LTR	DESCRIPTION		DATE	DWN	APVD	
B		REV PER ECO 15-007382		5-18-15	CT	RL	



JACKSCREWS OMITTED FOR CLARITY



- 1 ALL DIMENSIONS, MATERIALS, AND FINISHES ARE IN ACCORDANCE WITH MIL-DTL-32139 AND MIL-DTL-32139/3
- 2 SEE SHEET 2 FOR MIL-DTL-32139 PIN (PART IDENTIFYING NUMBER) AND CORRESPONDING TE PART NUMBERS

- (3) INSULATOR SHALL BE FLUSH WITH THE SHELL TO WITHIN ±.004
- (4) WIRE TYPE DEFINED BY MIL-DTL-32139/3
- (5) CONNECTOR SHALL BE MARKED IN ACCORDANCE WITH METHOD I OF MIL-STD-1285. MARKING SHALL CONTAIN THE MILITARY PIN AND POSITION 1 INDICATED BY AN IDENTIFIABLE MARK, LOCATED APPROXIMATELY AS SHOWN ON THE POSITION 1 SIDE OF THE CONNECTOR FLANGE. TEXT HEIGHT SHALL BE .035 INCH MINIMUM.
- (6) CONNECTOR SHALL BE MARKED IN ACCORDANCE WITH METHOD I OF MIL-STD-1285. MARKING SHALL CONTAIN TE, CAGE CODE AND DATE CODE. EXAMPLE: TE OPJN9 YYWW (WHERE YYWW IS THE DATE CODE). TEXT HEIGHT SHALL BE .035 INCH MINIMUM.

THIS DRAWING IS A CONTROLLED DOCUMENT.		DWN 16 AUG 10 C SCHOLL		
DIMENSIONS: INCHES		CHK 16 AUG 10 M STORRY		
TOLERANCES UNLESS OTHERWISE SPECIFIED:		APVD -	NAME	
0 PLC ± -		PRODUCT SPEC -	PLUG ASSEMBLY, TWO ROW, FLYING LEADS, PER MIL-DTL-32139/3, SIZE 9	
1 PLC ± -		APPLICATION SPEC -	SIZE A2	CAGE CODE OPJN9
2 PLC ± -		WEIGHT -	DRAWING NO C=1925214	RESTRICTED TO -
3 PLC ± .005		CUSTOMER DRAWING	SCALE 6:1	SHEET 1 of 2
4 PLC ± -				REV B
ANGLES ± 2°				
MATERIAL SEE NOTES	FINISH SEE NOTES			

THIS DRAWING IS UNPUBLISHED. RELEASED FOR PUBLICATION
 © COPYRIGHT - By - ALL RIGHTS RESERVED.

LOC		DIST		REVISIONS			
P	LTR	DESCRIPTION	DATE	DWN	APVD		
-	-	SEE SHEET 1	-	-	-		

PART NUMBER CROSS REFERENCE			
TE P/N	L DIM	MIL SPEC PIN	NANONICS P/N
1925214-1	6	M32139/03-A01SNS	TMN2N009PC2DX006S
1925214-2	6	M32139/03-A01SSS	TMN2S009PC2DX006S
1925214-3	18	M32139/03-A02SNS	TMN2N009PC2DX018S
1925214-4	18	M32139/03-A02SSS	TMN2S009PC2DX018S
1925214-5	36	M32139/03-A03SNS	TMN2N009PC2DX036S
1925214-6	36	M32139/03-A03SSS	TMN2S009PC2DX036S
1925214-7	6	M32139/03-A04SNS	TMN2N009PC2DM006S
1925214-8	6	M32139/03-A04SSS	TMN2S009PC2DM006S
1925214-9	18	M32139/03-A05SNS	TMN2N009PC2DM018S
1-1925214-0	18	M32139/03-A05SSS	TMN2S009PC2DM018S
1-1925214-1	36	M32139/03-A06SNS	TMN2N009PC2DM036S
1-1925214-2	36	M32139/03-A06SSS	TMN2S009PC2DM036S
1-1925214-3	6	M32139/03-A07SNS	TMN2N009PC2DT006S
1-1925214-4	6	M32139/03-A07SSS	TMN2S009PC2DT006S
1-1925214-5	18	M32139/03-A08SNS	TMN2N009PC2DT018S
1-1925214-6	18	M32139/03-A08SSS	TMN2S009PC2DT018S
1-1925214-7	36	M32139/03-A09SNS	TMN2N009PC2DT036S
1-1925214-8	36	M32139/03-A09SSS	TMN2S009PC2DT036S
1-1925214-9	6	M32139/03-A10SNS	TMN2N009PC2TM006S
2-1925214-0	6	M32139/03-A10SSS	TMN2S009PC2TM006S
2-1925214-1	18	M32139/03-A11SNS	TMN2N009PC2TM018S
2-1925214-2	18	M32139/03-A11SSS	TMN2S009PC2TM018S
2-1925214-3	36	M32139/03-A12SNS	TMN2N009PC2TM036S
2-1925214-4	36	M32139/03-A12SSS	TMN2S009PC2TM036S

2-1925214-5	6	M32139/03-A13SNS	TMN2N009PC2CX006S
2-1925214-6	6	M32139/03-A13SSS	TMN2S009PC2CX006S
2-1925214-7	18	M32139/03-A14SNS	TMN2N009PC2CX018S
2-1925214-8	18	M32139/03-A14SSS	TMN2S009PC2CX018S
2-1925214-9	36	M32139/03-A15SNS	TMN2N009PC2CX036S
3-1925214-0	36	M32139/03-A15SSS	TMN2S009PC2CX036S
3-1925214-1	6	M32139/03-A16SNS	TMN2N009PC2CM006S
3-1925214-2	6	M32139/03-A16SSS	TMN2S009PC2CM006S
3-1925214-3	18	M32139/03-A17SNS	TMN2N009PC2CM018S
3-1925214-4	18	M32139/03-A17SSS	TMN2S009PC2CM018S
3-1925214-5	36	M32139/03-A18SNS	TMN2N009PC2CM036S
3-1925214-6	36	M32139/03-A18SSS	TMN2S009PC2CM036S

TMN X X XXX XX X XX XXX X

CLASS
M32139

ROW
2 2 ROW

FINISH
N ELECTROLESS NICKEL
S STAINLESS STEEL

POSITION
009 09 POSITION

HARDWARE/THREADS
S 0-80 JACKSCREW, CAPTIVATED (PLUGS)

CONDUCTOR LENGTH
006 SIX INCHES
018 EIGHTEEN INCHES
036 THIRTY SIX INCHES

CONDUCTOR TYPE
DX WHITE PTFE PER NEMA HP3-ETXBBB9
DM COLOR CODED PTFE PER MIL-STD-681, SYSTEM 1
DT WHITE ETFE PER M22759/33-30-9
TM COLOR CODED ETFE PER MIL-STD-681, SYSTEM 1
CX WHITE COMPOSITE/PTFE PER DSCC 04047-30A-9
CM COLOR CODED COMPOSITE/PTFE PER MIL-STD-681, SYSTEM 1

CONDUCTOR SIZE/STRANDS
2 30AWG 7 STRAND

CONFIGURATION
PC PLUG

- THE FINAL 'S' IN THE MIL-SPEC PIN SIGNIFIES THAT THE CONNECTOR IS "SPACE CLASS". OMITTING THIS CHARACTER WILL YIELD THE SAME CORRESPONDING TE AND NANONICS PART NUMBERS.
- THE COLOR CODE SHALL ONLY INCLUDE THE 10 SOLID COLORS IN REPEATING SEQUENCE.
- PRELIMINARY PARTS - NOT RELEASED FOR PRODUCTION

THIS DRAWING IS A CONTROLLED DOCUMENT.		DWN C SCHOLL 16 AUG 10	TE Connectivity	
DIMENSIONS: INCHES		CHK M STORRY 16 AUG 10		
TOLERANCES UNLESS OTHERWISE SPECIFIED:		APVD -	NAME PLUG ASSEMBLY, TWO ROW, FLYING LEADS, PER MIL-DTL-32139/3, SIZE 9	
0 PLC ± - 1 PLC ± - 2 PLC ± - 3 PLC ± - 4 PLC ± - ANGLES ± -		PRODUCT SPEC -	SIZE A2	
MATERIAL -		APPLICATION SPEC -	CAGE CODE 0PJN9	DRAWING NO 1925214
FINISH -		WEIGHT -	RESTRICTED TO -	SCALE 6:1
		CUSTOMER DRAWING	SHEET 2 of 2	REV B

X-ON Electronics

Largest Supplier of Electrical and Electronic Components

Click to view similar products for [D-Sub Micro-D Connectors](#) category:

Click to view products by [TE Connectivity](#) manufacturer:

Other Similar products are found below :

[89076GBEPR](#) [65-1920-15](#) [M83513/03-G12N](#) [M83513/04-G04C](#) [M83513/22-D01NP](#) [664020C06F060](#) [6R2004A30F015](#) [6R4006A28A120](#)
[704002A03F200](#) [705001A13F120](#) [71-147714-19P](#) [7-1532020-5](#) [748567-1-P](#) [MDB1-9SH001](#) [MDM-15PBS-L58](#) [MDM-15PCBRM7T](#)
[MDM-15PH001M7-A174](#) [MDM-15PH003B-A174](#) [MDM-15SH001L](#) [MDM-15SH003A](#) [MDM-15SH004B](#) [MDM-15SH048B](#) [MDM-](#)
[25PH003B-A174](#) [MDM-25SH003F](#) [MDM-25SH003K](#) [MDM-37PH006L-A174](#) [MDM-37SH003K](#) [MDM51PH016FA174](#) [MDM-51PSF](#)
[MDM-51SH046B](#) [MDM-9SH001P](#) [MDM-9SH006B](#) [790-027SH-10P4MEP](#) [790-041PJ-25P2MPA](#) [790-043PJ-7P7MPB](#) [791-004SH-66MSA](#)
[7R3A00A19A1201](#) [7R5006A19A120](#) [803000C02M020](#) [803001B02M040](#) [803001D01M040](#) [8030N1A09M020](#) [804001B03M100](#)
[804006B03M100](#) [804006C02M030](#) [MLDM2L-21SCBRP-.110](#) [85043GULSR](#) [883020E03M030](#) [883031D01M030](#) [883033B03M020](#)