

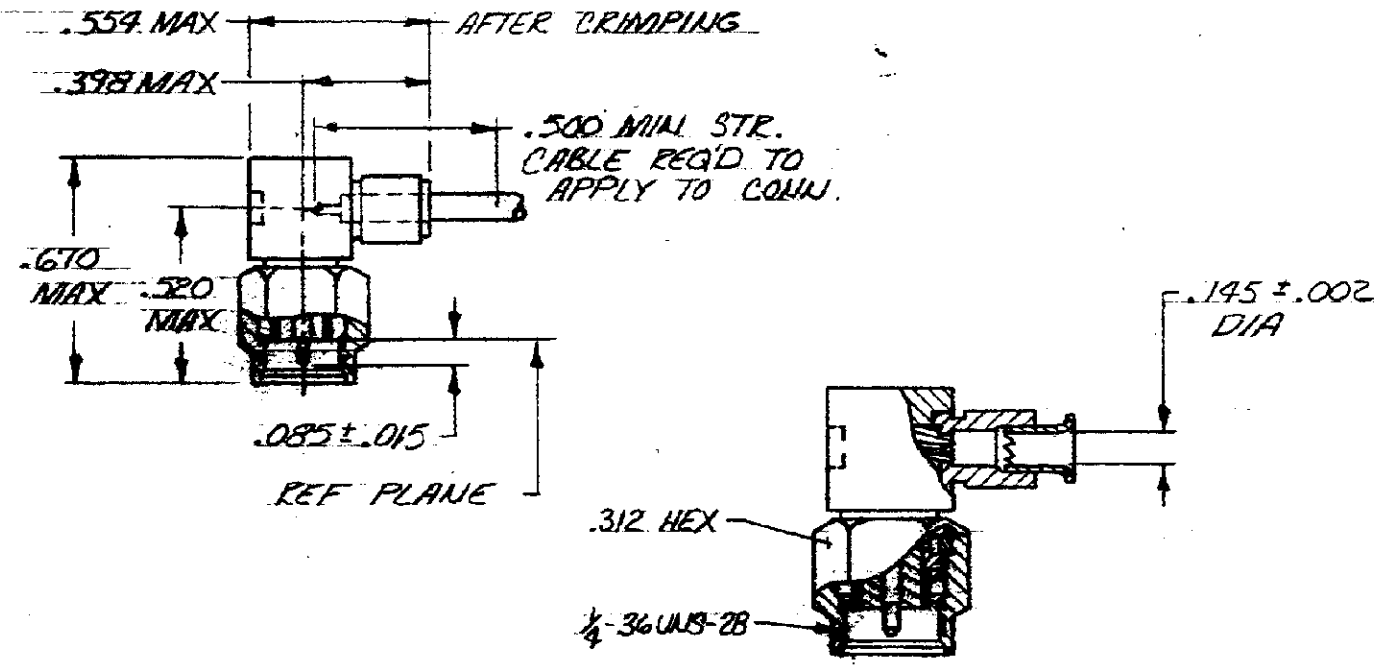
DRAWING MADE IN THIRD ANGLE PROJECTION

THIS DRAWING IS UNPUBLISHED. RELEASED FOR PUBLICATION

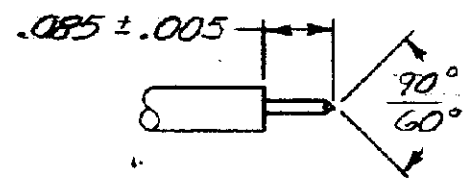
© COPYRIGHT 19 BY AMP INCORPORATED, HARRISBURG, PA. ALL INTERNATIONAL RIGHTS RESERVED. AMP PRODUCTS MAY BE COVERED BY U.S. AND FOREIGN PATENTS AND/OR PATENTS PENDING.

LOC **AJ** DIST **16**

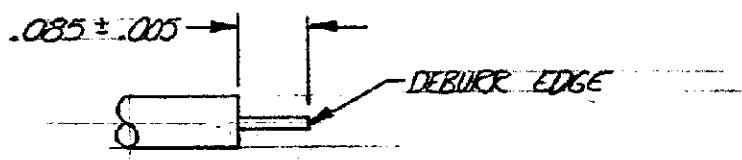
		REVISIONS				
P	F	ZONE	LTR	DESCRIPTION	DATE	APPROVED
✓	✓		8	REV & REDWN C83-735		TJ/LH
✓	✓		C	REV PER AJ-2419	1-15-87	BAM/JH



1. FOR USE WITH : .141 SEMI RIGID CABLE.
- ② SILICONE RUBBER PER ZZ-R-765.
- ③ STAINLESS STEEL PER QQ-S-764.
- ④ BRASS PER QQ-B-613.
- ⑤ TEFLON PER LP-403.
- ⑥ NICKEL PL PER QQ-N-290.
- ⑦ GOLD PL PER MIL-G-95204.
- ⑧ BERYLLIUM COPPER PER QQ-C-530.
- ⑨ PASSIVATED BODY.
10. MILITARY P/N 00779 M39012/80-3308



RECOMMENDED STRIP LENGTH



OPTIONAL STRIP LENGTH

UNLESS OTHERWISE SPECIFIED DIMENSIONS ARE IN INCHES. TOLERANCES ON: DECIMALS ± ANGLES ±		CONTRACT NO		AMP INCORPORATED Harrisburg, Pa.	
MATERIAL		DR. T. Smith 7/18/83		NAME CONNECTOR, COAXIAL, R.F. PLUG, RIGHT ANGLE MIL-F, SERIES SMA	
FINISH		CHK D.S. Heide 7/22/83		DRAWING NO 228626-1	
APPROVED		APPROVED		SCALE IITS	
DESIGN APPRO		OTHER APPRO		SHEET	

X-ON Electronics

Largest Supplier of Electrical and Electronic Components

Click to view similar products for [RF MIL Spec Connectors](#) category:

Click to view products by [TE Connectivity](#) manufacturer:

Other Similar products are found below :

[M55339/38-00001](#) [M39012/69-0004](#) [M39012/95-0001](#) [M39012/56B3112](#) [M39012/55-3125](#) [UG-23D/U\(40\)](#) [UG-306/U\(40\)](#) [UG-492/U](#)
[SMA6251A1-3GT50G-50B](#) [M39012/55-3026](#) [M39012/67-0004](#) [M39012/31-0001](#) [UG-89/U\(40\)](#) [M39012/27-0018](#) [M39012/27-0101](#)
[M39012/01-0005](#) [SMA1111A1-3GT50G-1-50](#) [M39012/28-0010](#) [M39012/55B3022](#) [M39012/26-0018](#) [M39012/26-0022](#) [M39012/26-0101](#)
[M39012/26-0225](#) [M55339/47-30001](#) [SMA1111A2-3GT50G-5-50](#) [SMA1112A5-3GT50G-5-50](#) [SMA1112A6-3GT50G-1-50](#) [M39012/79-3108](#)
[M39012/79B3001](#) [M39012/80-3107](#) [M39012/55-3030](#) [M39012/56-3126](#) [M55339/02-30001](#) [M55339/28-30001](#) [M55339/28-30002](#)
[M55339/29-30001](#) [M55339/31-30001](#) [SMA2071A1-3GT50G-50](#) [1102-0003](#) [M39012/26-0011](#) [M39012/26-0012](#) [M39012/26B0006](#)
[M39012/26B0015](#) [M39012/28-0022](#) [M39012/30-0101](#) [M39012/31-0002](#) [M39012/33-0001](#) [M39012/39-0501](#) [M39012/55-3006](#) [M39012/55-3007](#)