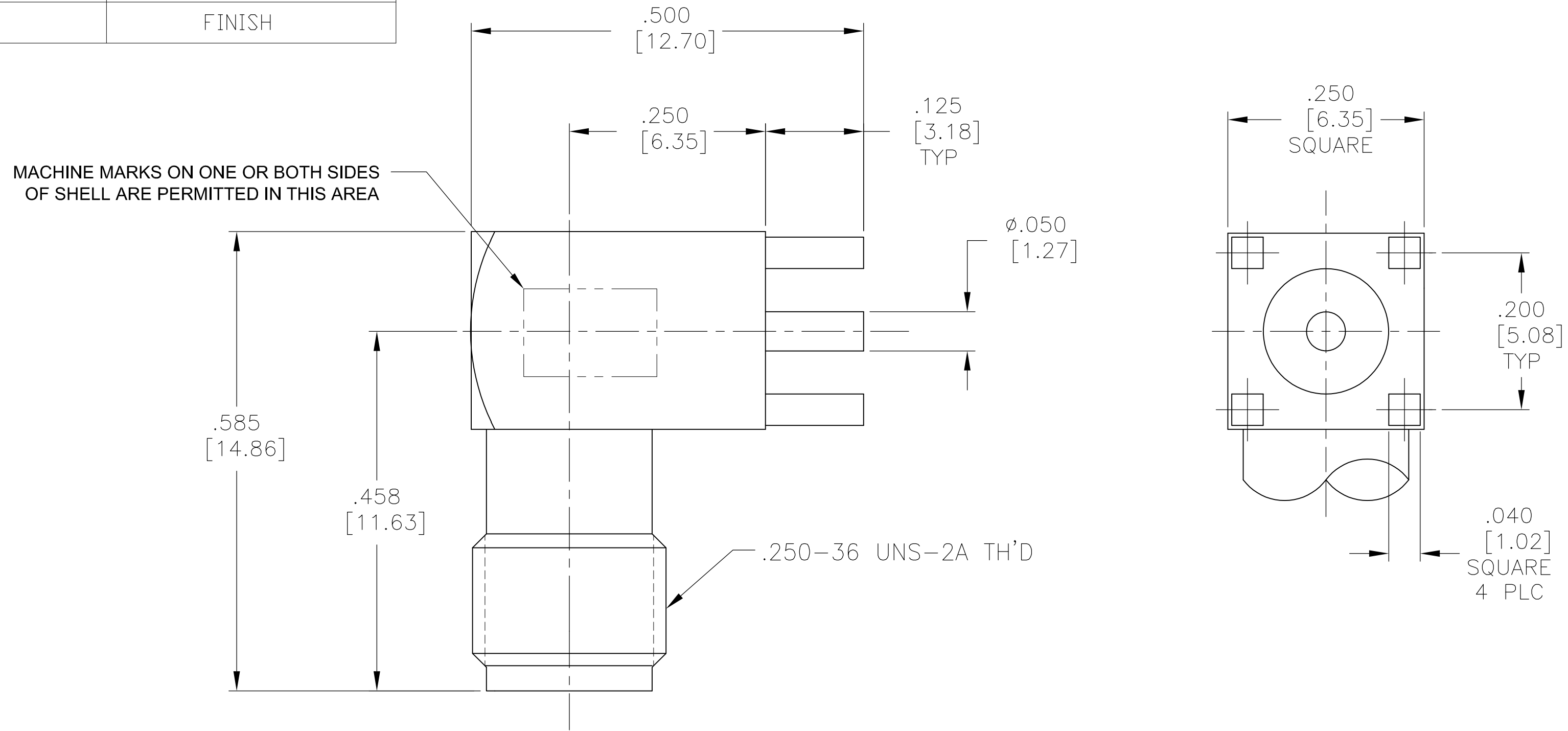


THIS DRAWING IS UNPUBLISHED.		RELEASED FOR PUBLICATION
© COPYRIGHT - By -		ALL RIGHTS RESERVED.
HOUSING CAP	STAINLESS STEEL PER ASTM-A484 AND ASTM-A582, TYPE 303	GOLD PLATE PER ASTM-B-488
DIELECTRIC	PTFE FLUOROCARBON PER ASTM-D-1457	N/A
CENTER CONTACT CONTACT EXTENSIONS	BERYLLIUM COPPER PER ASTM-B-196 OR ASTM-B-197, ALLOY C17300, CONDITION H	GOLD PLATE PER ASTM-B-488
COMPONENT	MATERIAL	FINISH

LOC	DIST	REVISIONS					
-	-	P	LTR	DESCRIPTION	DATE	DWN	APVD
		B		REV PER ECO 11-021365	10-26-11	CT	DW



ELECTRICAL	MECHANICAL	ENVIRONMENTAL
Nominal Impedance (Ohms) <u>50</u>	Interface Dimensions MIL-STD-348 <u>310.2</u>	TEMPERATURE RATING <u>-65° TO 105°C</u>
Frequency Range (GHz) <u>.5 to 18</u>	Mating Characteristics:	Vibration - MIL-STD-202, Method 204, Condition D
Volt Rating (VRMS MAX) <u>335</u>	Insertion (MAX Lbs) <u>3.0</u>	Shock - MIL-STD-202, Method 213, Condition I
VSWR <u>N/A</u>	Withdrawal (MIN Oz) <u>1.0</u>	Thermal shock MIL-STD-202, Method 107 Test Condition B
Insertion Loss (dB MAX) <u>N/A</u>	Connector Engagement and Disengagement (In/Lbs MAX) <u>2</u>	EXCEPT HIGH TEMP 125°C
RF Leakage <u>N/A</u>	Center Contact Captivation	Moisture Resistance - MIL-STD-202, Method 106
Corona, 70,000 Ft (VRMS MIN) <u>250</u>	Axial <u>6.0 LBS MIN</u>	Corrosion - MIL-STD-202, Method 101, Condition B
Dielectric Withstanding Voltage (VRMS MIN) <u>1000</u>	Radial <u>4.0 IN/OZ MIN</u>	
Contact Resistance (Milliohms MAX)	Weight (Grams) <u>TBD</u>	
Center Contact <u>3.0</u>		
Outer Contact <u>2.0</u>		
RF High Potential (VRMS MIN @ 5 MHz) <u>670</u>		
I.R.(Megohms) <u>5000 MIN</u>		

1. CAPTURED CENTER CONTACT

M39012/94-3002	1053398-1
MILITARY NUMBER	PART NO.

THIS DRAWING IS A CONTROLLED DOCUMENT.		DWN C.C.THOMAS 26OCT2011	TE Connectivity	
DIMENSIONS: INCHES [mm]		CHK D.WILSON 10-26-11	NAME SMA RIGHT ANGLE PCB JACK ASSEMBLY	
TOLERANCES UNLESS OTHERWISE SPECIFIED:		APVD D.WILSON 10-26-11	SIZE A2	
0 PLC ± -	1 PLC ± -	PRODUCT SPEC	CAGE CODE 00779	DRAWING NO C=1053398
2 PLC ± -	3 PLC ± .005 [0.13]	APPLICATION SPEC	RESTRICTED TO	
4 PLC ± -	ANGLES ± -	WEIGHT -	SCALE 5:1	SHEET 1 of 1
MATERIAL -	FINISH -	CUSTOMER DRAWING	REV B	

## X-ON Electronics

Largest Supplier of Electrical and Electronic Components

*Click to view similar products for [RF MIL Spec Connectors](#) category:*

*Click to view products by [TE Connectivity](#) manufacturer:*

Other Similar products are found below :

[M55339/38-00001](#) [M39012/69-0004](#) [M39012/95-0001](#) [M39012/56B3112](#) [M39012/55-3125](#) [UG-23D/U\(40\)](#) [UG-306/U\(40\)](#) [UG-492/U](#)  
[SMA6251A1-3GT50G-50B](#) [M39012/55-3026](#) [M39012/67-0004](#) [M39012/31-0001](#) [UG-89/U\(40\)](#) [M39012/27-0018](#) [M39012/27-0101](#)  
[M39012/01-0005](#) [SMA1111A1-3GT50G-1-50](#) [M39012/28-0010](#) [M39012/55B3022](#) [M39012/26-0018](#) [M39012/26-0022](#) [M39012/26-0101](#)  
[M39012/26-0225](#) [M55339/47-30001](#) [SMA1111A2-3GT50G-5-50](#) [SMA1112A5-3GT50G-5-50](#) [SMA1112A6-3GT50G-1-50](#) [M39012/79-3108](#)  
[M39012/79B3001](#) [M39012/80-3107](#) [M39012/55-3030](#) [M39012/56-3126](#) [M55339/02-30001](#) [M55339/28-30001](#) [M55339/28-30002](#)  
[M55339/29-30001](#) [M55339/31-30001](#) [SMA2071A1-3GT50G-50](#) [1102-0003](#) [M39012/26-0011](#) [M39012/26-0012](#) [M39012/26B0006](#)  
[M39012/26B0015](#) [M39012/28-0022](#) [M39012/30-0101](#) [M39012/31-0002](#) [M39012/33-0001](#) [M39012/39-0501](#) [M39012/55-3006](#) [M39012/55-3007](#)