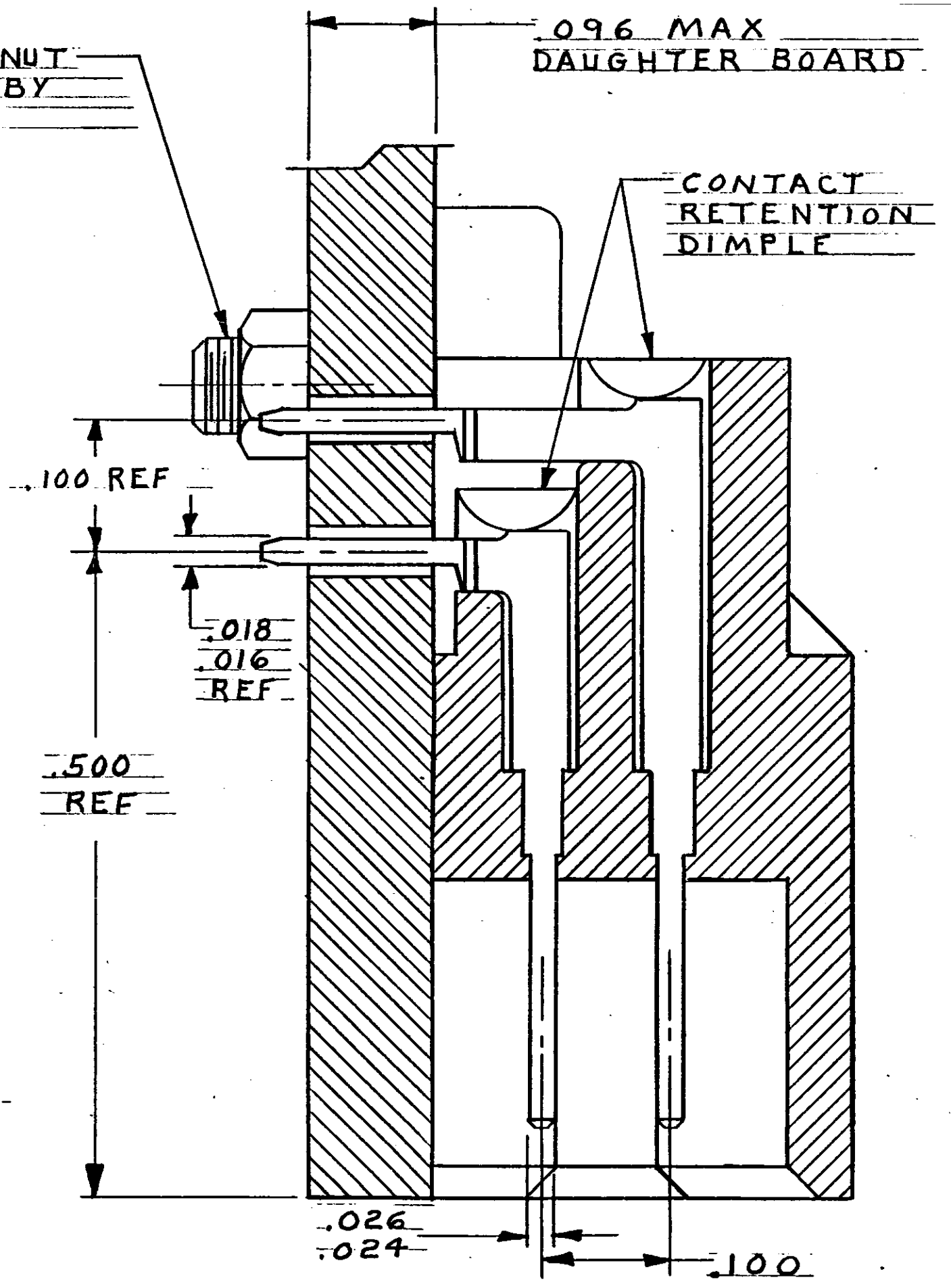
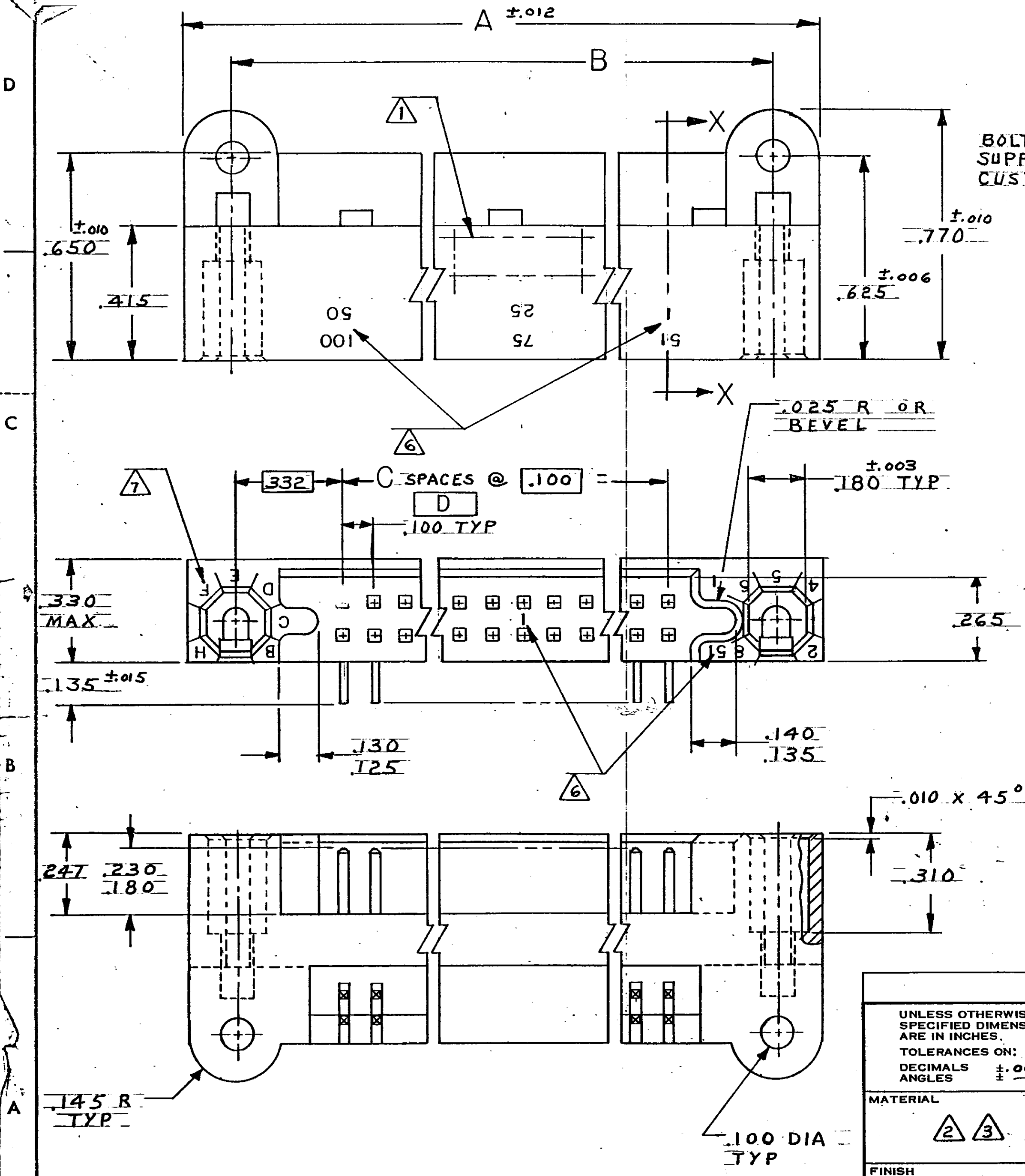


REVISIONS				DATE	APPROVED
P	F	ZONE	LTR	DESCRIPTION	
A1		G1		REVISED PER ECO-11-005030	26MAR11 HMR



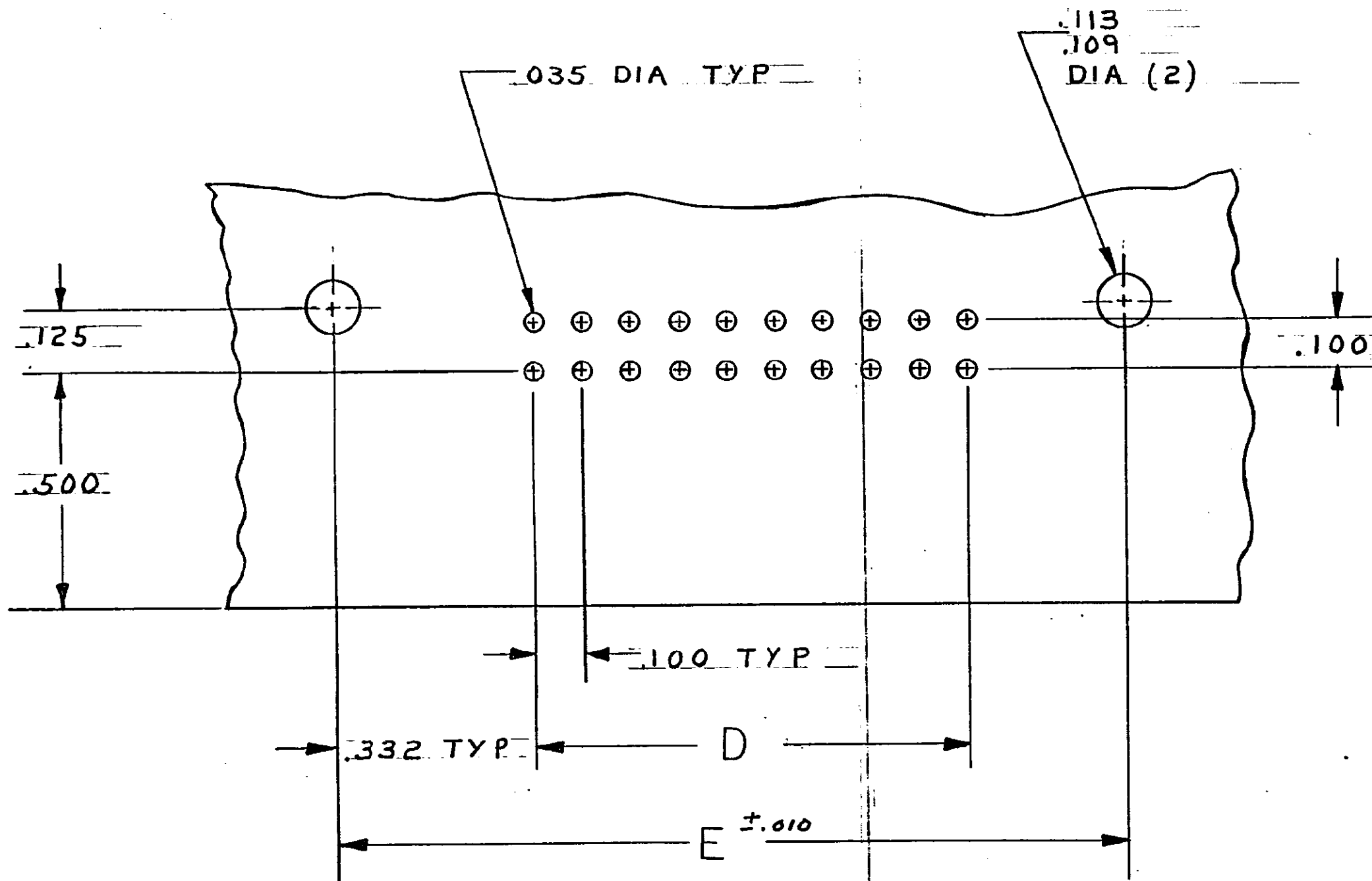
SECTION X-X  
 SCALE 10:1

UNLESS OTHERWISE SPECIFIED DIMENSIONS ARE IN INCHES. TOLERANCES ON: DECIMALS ±.005 ANGLES ±	CONTRACT NO	TE Connectivity	
	DR	NAME	
	CHK	BOX CONNECTOR, RIGHT ANGLE, PIN ASSY, 100I SERIES	
	MATERIAL	APPD	SIZE
FINISH	OTHER APPD	C	00779
			DRAWING NO
			531721
		SCALE	SHEET
		4:1	1 OF 2

DRAWING MADE IN THIRD ANGLE PROJECTION  
 THIS DRAWING IS UNPUBLISHED. RELEASED FOR PUBLICATION  
 © COPYRIGHT

5365 LOG DF FO

REVISIONS			
P	F	ZONE	LTR
DESCRIPTION			DATE
SEE SHEET 1			APPROVED



- ① AMP, 00779, PART NO & DATE CODE AND MILITARY PART NO MARKED IN APPROX AREA
- ② HOUSING: GLASS FILLED POLYESTER COLOR - BLUE
- ③ CONTACT: BRASS
- ④ CONTACT FINISH: .000050 GOLD IN CONTACT AREA, TIN-LEAD ON SOLDER TAILS, NICKEL UNDERPLATE.
- 5. MIL-C-55302 INSPECTION REQUIRED.
- ⑥ NUMBERS AND LINES INDICATING EVERY FIVE CAVITIES MARKED ON MATING FACE, NUMBERS INDICATING EVERY FIVE CAVITIES MARKED ON SIDE
- ⑦ KEY POSITION IDENTIFICATION MOLDED ON SURFACE SHOWN.

RECOMMENDED P.C. BOARD LAYOUT

M 55302/110-31	1 - 71	7.565	6.900	69	7.565	7.855	140	1-531721-3
	-30	7.265	6.600	66	7.265	7.555	134	1- -2
	-29	7.065	6.400	64	7.065	7.355	130	1- -1
	-28	6.565	5.900	59	6.565	6.855	120	1- -0
	-18	6.065	5.400	54	6.065	6.355	110	-9
	-17	5.565	4.900	49	5.565	5.855	100	-8
	-16	5.065	4.400	44	5.065	5.355	90	-7
	-15	4.565	3.900	39	4.565	4.855	80	-6
	-14	4.065	3.400	34	4.065	4.355	70	-5
	-13	3.565	2.900	29	3.565	3.855	60	-4
	-12	3.065	2.400	24	3.065	3.355	50	-3
	-11	2.565	1.900	19	2.565	2.855	40	-2
M 55302/110-10	1 - 16	2.065	1.400	14	2.065	2.355	30	531721-1
MILITARY PART NO.	CONTACT IDENT NO.	E	D	C	B	A	NO. POS	PART NO

UNLESS OTHERWISE SPECIFIED DIMENSIONS ARE IN INCHES. TOLERANCES ON: DECIMALS $\pm$ .005 ANGLES	CONTRACT NO DR <i>M. Smith</i> 10-27-81		TE Connectivity NAME BOX CONNECTOR, RIGHT ANGLE, PIN ASSY, 1001 SERIES	
	MATERIAL ② ③	CHG <i>W. Pritchard Jr</i> 12-16-81 APPD <i>W. Pritchard Jr</i> 12-16-81 APPD <i>E.T. Parsons</i> 12-22-81		
FINISH ④	OTHER APPD		SIZE C	FSCM NO 00779
			DRAWING NO 531721	REV G1
			SCALE 4:1	SHEET 2

CUSTOMER DRAWING

531721

## X-ON Electronics

Largest Supplier of Electrical and Electronic Components

*Click to view similar products for [Rectangular MIL Spec Connectors](#) category:*

*Click to view products by [TE Connectivity](#) manufacturer:*

Other Similar products are found below :

[891-011-15SA2-BSST](#) [CTS-S16/16](#) [65002-062](#) [CY4602-000](#) [732-8020-01](#) [77058-22-55PN](#) [81542-20](#) [86.030.0053.0](#) [1241346-1](#) [RM252-020-311-2900](#) [DMC-M 08-16 SA](#) [1589051-4](#) [MSO34MPK1E1](#) [BACC65CAMA](#) [BACC65CP1PN](#) [BACI10BC0816PNBA](#) [HSB-D4S03DM222X](#) [2217548-1](#) [891-006-9PS-BST1T](#) [891-009-15SA2-BRT1T](#) [27963-20T12](#) [SIM2N40NC3](#) [SIM2S100A](#) [1604996-2](#) [SMD25PN90L-4055](#) [1900ND08S1B00A](#) [22628-10-6P-791](#) [RE04-212S](#) [M32139/03-G05SN](#) [CTD160E01F-6148](#) [CTJ112E03B](#) [CTJ122E02D-8000](#) [CTJ-3D-12](#) [CTJ920E06N-513](#) [CTJ920E12N-513](#) [CTL-16-090](#) [RM300-000-581-0000](#) [CY4600-000](#) [CY4601-000](#) [38111-14-15SN](#) [38112-14-15PN](#) [MMA23-0111R1](#) [MMD25-0071P1](#) [33516062020](#) [33526M11-08PE](#) [DMC-M99-01AN](#) [Y59113WE20PNV00300](#) [ZPF000000000106310](#) [105979-31](#) [EN4165M01AD0G0](#)