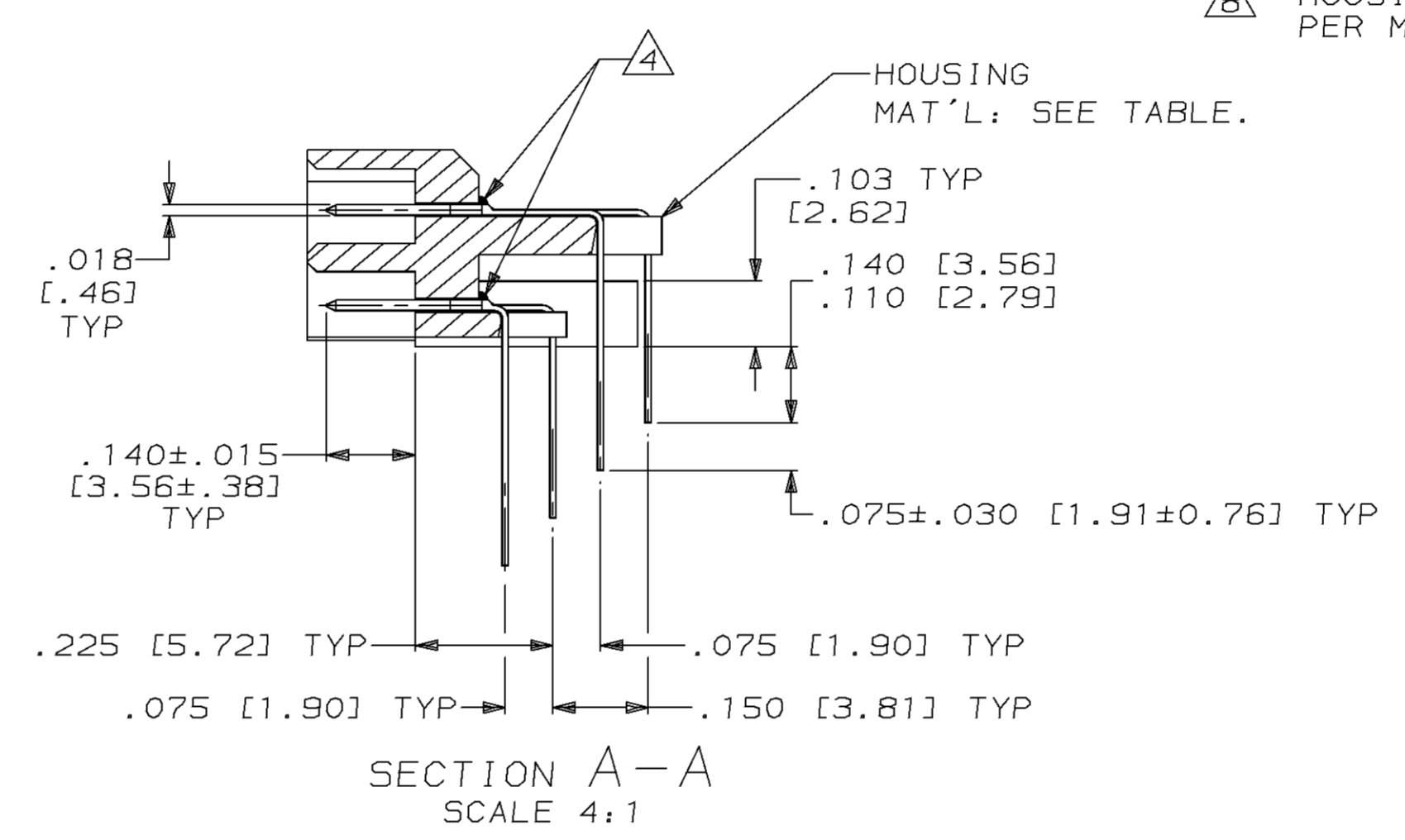
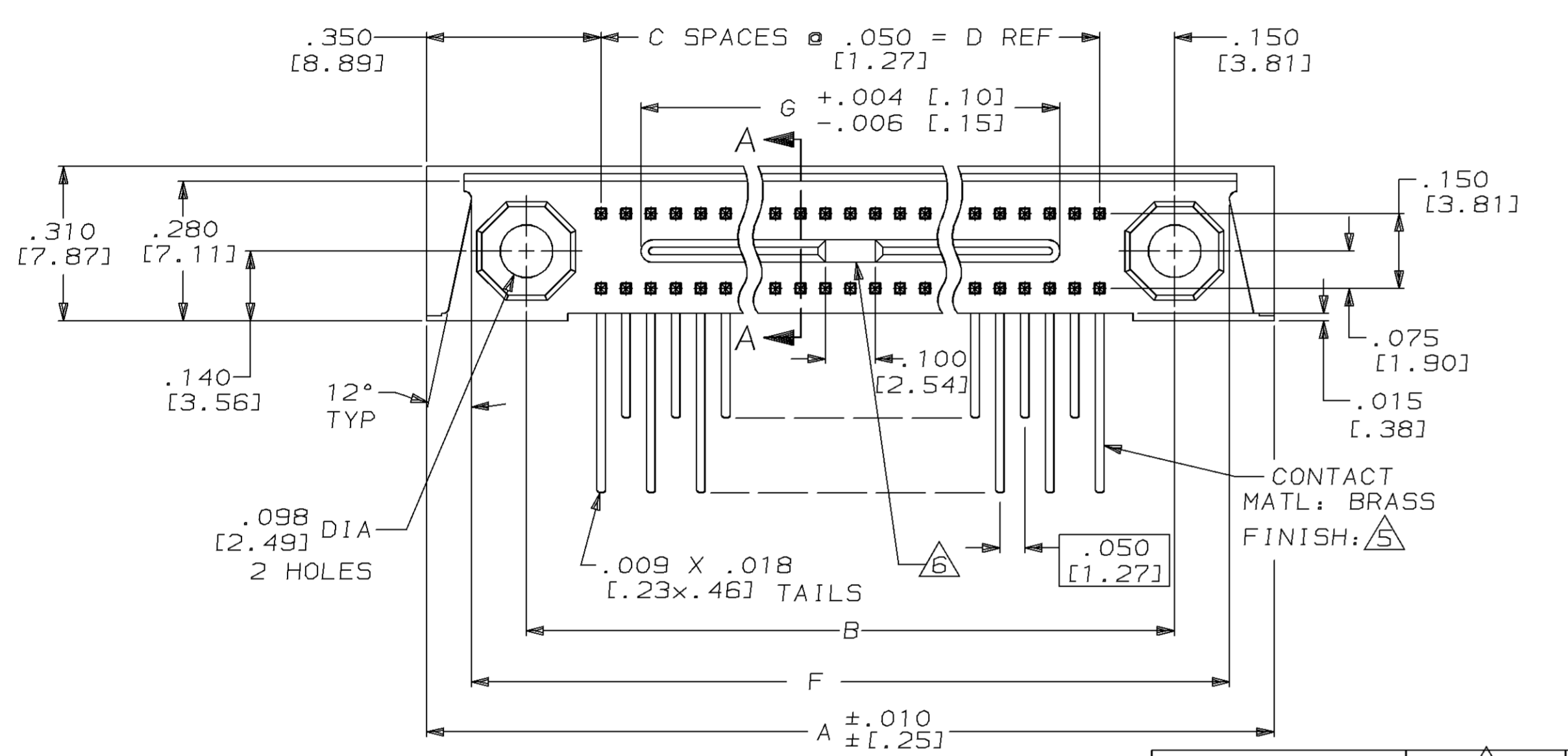
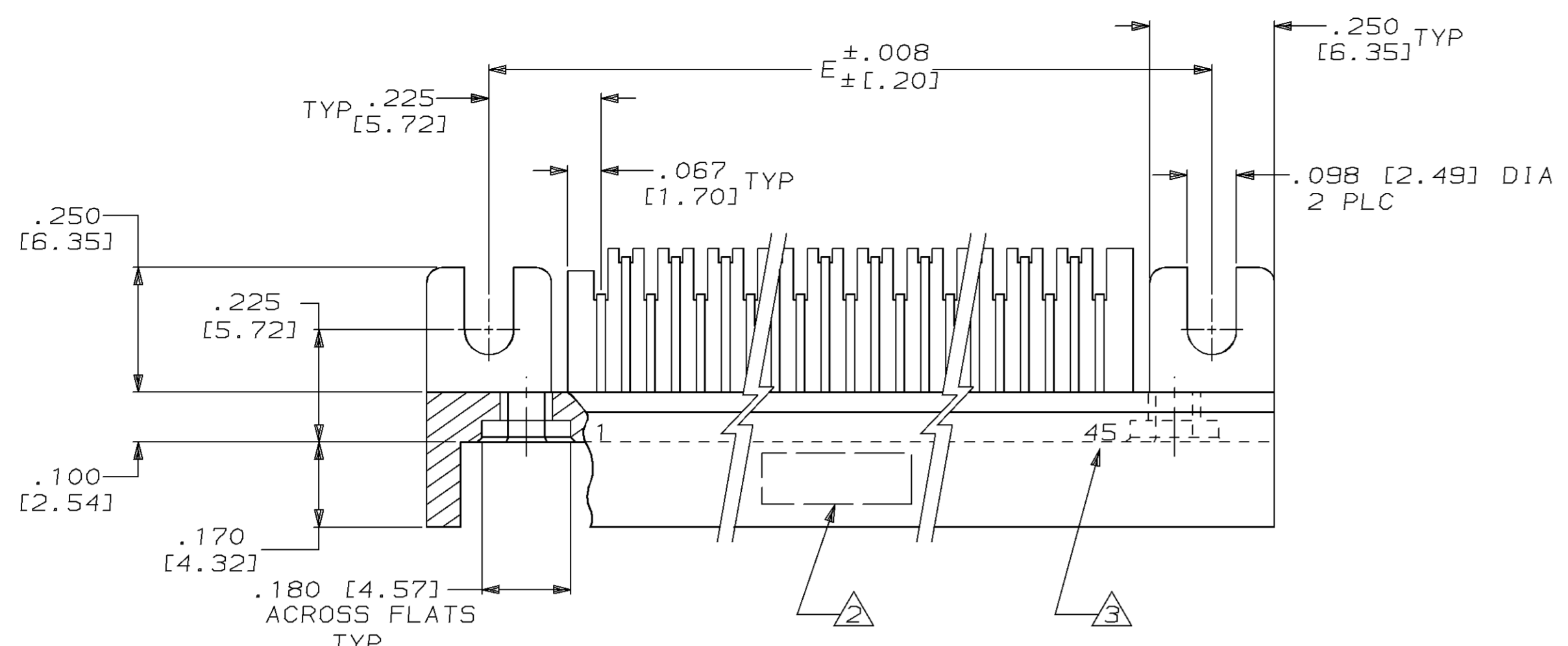
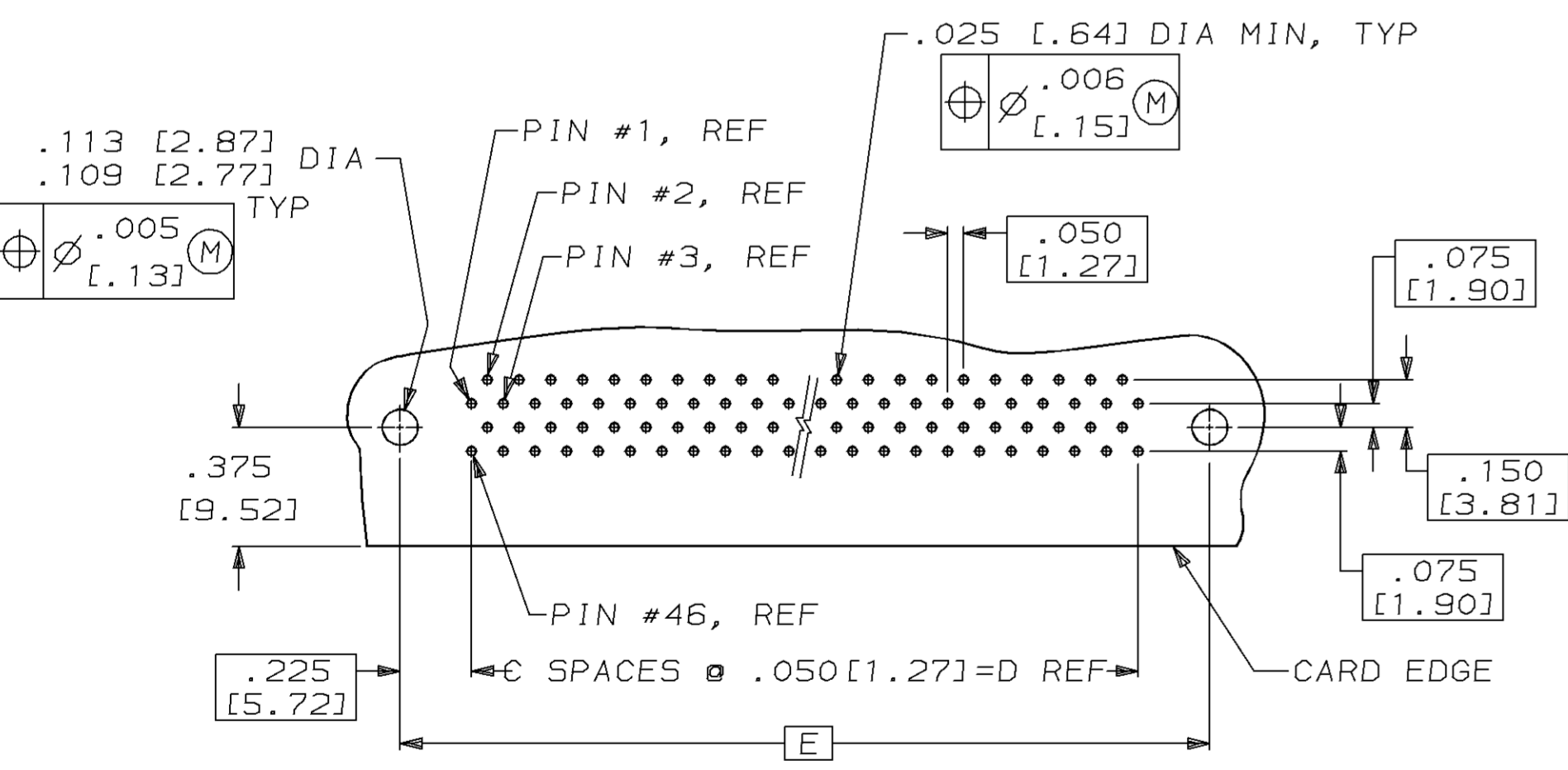


| REV | DATE     | BY  | CHKD | APPD | DESCRIPTION          |
|-----|----------|-----|------|------|----------------------|
| B   | 3-90     | TW  |      | DS   | REDWN PER DF-2766    |
| C   | 10-91    | PY  |      | DG   | REV PER DF-5655      |
| D   | 1-92     | AJG |      | DG   | REV PER DF-5332      |
| E   | 2-92     | TA  |      | DG   | REV PER DF-5470      |
| ✓ E | 5-4-94   | TA  |      | DG   | REV PER 0600-1388-93 |
| ✓ G | 12-07-94 | JB  |      | DG   | REV PER 0600-2118-94 |



- CONNECTOR MEETS ALL APPLICABLE REQUIREMENTS OF MIL-C-55302.
- AMP, 00779, AMP PART NO, MILITARY PART NO. (PER TABLE) AND DATE CODE MARKED IN THIS APPROXIMATE AREA.
- END CAVITY IDENTIFICATION NUMBERS (PER TABLE) MARKED THIS SIDE ONLY.
- EPOXY, FOR CONTACT RETENTION, APPLIED TO CONTACT ROWS IN THIS AREA.
- FINISH: PLATED GOLD .000050 THK PER MIL-G-45204 ON MATING END FOR A LENGTH OF .100 MIN, TAILS PLATED TIN-LEAD .000120 THK, ALL OVER NICKEL .000050 THK PER QQ-N-290.
- SPACE IN TONGUE NOT APPLICABLE FOR 20 THRU 50 POSITIONS.
- HOUSING MATERIAL: LIQUID CRYSTAL POLYMER PER MIL-M-24519, GLCP-30F; COLOR: GRAY.



| REMARKS       | HSG MATERIAL | CAVITY IDENT | MILITARY PART NO   | G             | F             | E             | D             | C  | B             | A             | NO OF POSN | ASSEMBLY NUMBER |
|---------------|--------------|--------------|--------------------|---------------|---------------|---------------|---------------|----|---------------|---------------|------------|-----------------|
|               |              | 8            | 1 64 M55302/117-11 | 2.990 [75.95] | 3.670 [93.22] | 3.600 [91.44] | 3.150 [80.01] | 63 | 3.450 [87.63] | 3.850 [97.79] | 128        | 2-530743-2      |
|               |              | 8            | 1 55 M55302/117-10 | 2.540 [64.52] | 3.220 [81.79] | 3.150 [80.01] | 2.700 [68.58] | 54 | 3.000 [76.20] | 3.400 [86.36] | 110        | 2-530743-1      |
|               |              | 8            | 1 50 M55302/117-09 | 2.290 [58.17] | 2.970 [75.44] | 2.900 [73.66] | 2.450 [62.23] | 49 | 2.750 [69.85] | 3.150 [80.01] | 100        | 2-530743-0      |
|               |              | 8            | 1 45 M55302/117-08 | 2.040 [51.82] | 2.720 [69.09] | 2.650 [67.31] | 2.200 [55.88] | 44 | 2.500 [63.50] | 2.900 [73.66] | 90         | 1-530743-9      |
|               |              | 8            | 1 40 M55302/117-07 | 1.790 [45.47] | 2.470 [62.74] | 2.400 [60.96] | 1.950 [49.53] | 39 | 2.250 [57.15] | 2.650 [67.31] | 80         | 1-530743-8      |
|               |              | 8            | 1 35 M55302/117-06 | 1.540 [39.12] | 2.220 [56.39] | 2.150 [54.61] | 1.700 [43.18] | 34 | 2.000 [50.80] | 2.400 [60.96] | 70         | 1-530743-7      |
|               |              | 8            | 1 30 M55302/117-05 | 1.290 [32.77] | 1.970 [50.04] | 1.900 [48.26] | 1.450 [36.83] | 29 | 1.750 [44.45] | 2.150 [54.61] | 60         | 1-530743-6      |
|               |              | 8            | 1 25 M55302/117-04 | 1.040 [26.42] | 1.720 [43.69] | 1.650 [41.91] | 1.200 [30.48] | 24 | 1.500 [38.10] | 1.900 [48.26] | 50         | 1-530743-5      |
|               |              | 8            | 1 20 M55302/117-03 | .790 [20.07]  | 1.470 [37.34] | 1.400 [35.56] | .950 [24.13]  | 19 | 1.250 [31.75] | 1.650 [41.91] | 40         | 1-530743-4      |
|               |              | 8            | 1 15 M55302/117-02 | .540 [13.72]  | 1.220 [30.99] | 1.150 [29.21] | .700 [17.78]  | 14 | 1.000 [25.40] | 1.400 [35.56] | 30         | 1-530743-3      |
|               |              | 8            | 1 10 M55302/117-01 | .290 [7.37]   | .970 [24.64]  | .900 [22.86]  | .450 [11.43]  | 9  | .750 [19.05]  | 1.150 [29.21] | 20         | 1-530743-2      |
| SUPSD BY 2--2 |              |              |                    |               |               |               |               |    |               |               |            | 1-530743-1      |
| SUPSD BY 2--1 |              |              |                    |               |               |               |               |    |               |               |            | 1-530743-0      |
| SUPSD BY 2--0 |              |              |                    |               |               |               |               |    |               |               |            | 530743-9        |
| SUPSD BY 1--9 |              |              |                    |               |               |               |               |    |               |               |            | 530743-8        |
| SUPSD BY 1--8 |              |              |                    |               |               |               |               |    |               |               |            | 530743-7        |
| SUPSD BY 1--7 |              |              |                    |               |               |               |               |    |               |               |            | 530743-6        |
| SUPSD BY 1--6 |              |              |                    |               |               |               |               |    |               |               |            | 530743-5        |
| SUPSD BY 1--5 |              |              |                    |               |               |               |               |    |               |               |            | 530743-4        |
| SUPSD BY 1--4 |              |              |                    |               |               |               |               |    |               |               |            | 530743-3        |
| SUPSD BY 1--3 |              |              |                    |               |               |               |               |    |               |               |            | 530743-2        |
| SUPSD BY 1--2 |              |              |                    |               |               |               |               |    |               |               |            | 530743-1        |

DO NOT SCALE PRINT. UNLESS SPECIFIED DIMENSIONS IN INCHES [mm] TOLERANCES ON:  
 2 PLC DEC ± .005 [0.13] ANGLES ± .

DR 3-8-90 T. WIEST  
 CHK 6-21-90 A. HOKE  
 APPD 6-21-90 D. STONER  
 APPD 6-21-90 D. STONER  
 PRODUCT SPEC -  
 APPLICATION SPEC -  
 WEIGHT -

**AMP** AMP INCORPORATED  
 Harrisburg, Pa. 17105

NAME: PIN HEADER ASSY, MINI-BOX, RIGHT ANGLE, MILITARY

SIZE: D  
 CAGE CODE: 00779  
 DRAWING NO: 530743  
 SCALE: 4:1  
 SHEET: 1 OF 1

- Home
- Part Number Search
- Text Search
- Alternate Part Search
- Multiple Part Comparison
- Alphabetical Search
- Brand Search
- Industry Product Search
- Product Type Search
- Product Family Search
- Competitor Cross Reference
- Document Number Search
- Lead Free Solutions
- Help/Glossary

**Current Brand View**

[View All Tyco Electronics Brands](#)  
Click to activate links to all other products

AMP

**Two-Piece, High Density PCB Connectors**  
**.1050, .075, .100 Box Contact Connectors**

AMP 1-530743-2 -- 3 of 4 products [Active](#) [Active](#)  
(Tyco Electronics P/N: 1-530743-2)

|          |      |                      |                   |                      |
|----------|------|----------------------|-------------------|----------------------|
| Previous | Next | Sales Information    | AMP ACES          | Step Search Screen   |
|          |      | Related CAD Geometry | Related Documents | General Information  |
|          |      |                      | Pricing           | Product Availability |

Please use the customer drawing for all design activity.

- Customer Drawing: 530743, Rev. G
- Document Title: PIN HEADER ASSY, MINI-BOX,RIGHT ANGLE, MILITARY

[172756.pdf](#) | [172756.pdf](#) (112K)

*The photographs and/or line drawings below are representative images of a product for viewing purposes only.*

[Product Photo](#)

**Searchable Features:**

|                                      |                     |
|--------------------------------------|---------------------|
| <b>Brand:</b>                        | AMP                 |
| <b>Product Type:</b>                 | Pin Header Assembly |
| <b>Centerline Spacing (mm [in]):</b> | 1.27 [.050]         |
| <b>No. of Rows:</b>                  | 2                   |
| <b>No. of Positions:</b>             | 20                  |
| <b>Grade:</b>                        | Military            |
| <b>Post Styles:</b>                  | Posted              |

**Other Properties:**

|  |                              |
|--|------------------------------|
| <b>Contact Material:</b>                 | Brass                        |
| <b>Contact Termination Area Plating:</b> | Tin Lead over Nickel         |
| <b>Color:</b>                            | Gray                         |
| <b>Housing Material:</b>                 | Liquid Crystal Polymer (LCP) |

Part Details for P/N: 1-530743-2

|   |                           |
|---|---------------------------|
| <b>Post Size (mm [in]):</b>               | 0.23 x 0.46 [.009 x .018] |
| <b>Termination Post Length (mm [in]):</b> | 3.18 [.125]               |
| <b>Military Part Number:</b>              | M55302/117-01             |
| <b>Staggered:</b>                         | No                        |
| <b>Sealed:</b>                            | No                        |
| <b>Application:</b>                       | PC Solder Mount           |
| <b>Strain Relief:</b>                     | Without                   |
| <b>Mount Angle:</b>                       | Right Angle               |
| <b>PCB Mount Style:</b>                   | Thru Hole                 |
| <b>Gasket:</b>                            | Without                   |
| <b>Contact Mating Area Plating:</b>       | Gold (50)                 |
| <b>Pin Protection:</b>                    | Without                   |
| <b>In-Line/Staggered Tails:</b>           | Staggered                 |
| <b>Hybrid:</b>                            | No                        |
| <b>Jackscrews:</b>                        | Without                   |
| <b>Stabilizers:</b>                       | Without                   |

---

[Copyright](#) and [Privacy Statement](#)  
Visit [Tyco International, Ltd.](#)

[Products](#) | [Brands](#) | [Industries](#) | [Customer Service](#) | [About](#) | [Home](#)

## X-ON Electronics

Largest Supplier of Electrical and Electronic Components

*Click to view similar products for [Rectangular MIL Spec Connectors](#) category:*

*Click to view products by [TE Connectivity](#) manufacturer:*

Other Similar products are found below :

[891-011-15SA2-BSST](#) [CTS-S16/16](#) [65002-062](#) [CY4602-000](#) [732-8020-01](#) [77058-22-55PN](#) [81542-20](#) [86.030.0053.0](#) [1241346-1](#) [RM252-020-311-2900](#) [DMC-M 08-16 SA](#) [1589051-4](#) [MSO34MPK1E1](#) [BACC65CAMA](#) [BACC65CP1PN](#) [BACI10BC0816PNBA](#) [HSB-D4S03DM222X](#) [2217548-1](#) [891-006-9PS-BST1T](#) [891-009-15SA2-BRT1T](#) [27963-20T12](#) [SIM2N40NC3](#) [SIM2S100A](#) [1604996-2](#) [SMD25PN90L-4055](#) [1900ND08S1B00A](#) [22628-10-6P-791](#) [33526M11-08PD](#) [RE04-212S](#) [M32139/03-G05SN](#) [CTD160E01F-6148](#) [CTJ112E03B](#) [CTJ122E02D-8000](#) [CTJ-3D-12](#) [CTJ920E06N-513](#) [CTJ920E12N-513](#) [CTL-16-090](#) [RM300-000-581-0000](#) [CY4600-000](#) [CY4601-000](#) [38111-14-15SN](#) [38112-14-15PN](#) [MMA23-0111R1](#) [MMD25-0071P1](#) [33516062020](#) [33526M11-08PE](#) [DMC-M99-01AN](#) [Y59113WE20PNV00300](#) [ZPF000000000106310](#) [105979-31](#)