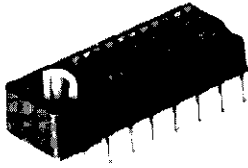


Mini-Box Receptacle Assemblies for Flow Soldering



Housing Material—In accordance with MIL-V-24519 per MIL-C-55302 GLCP-30F, liquid crystal polymer

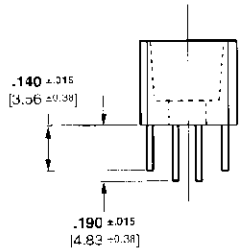
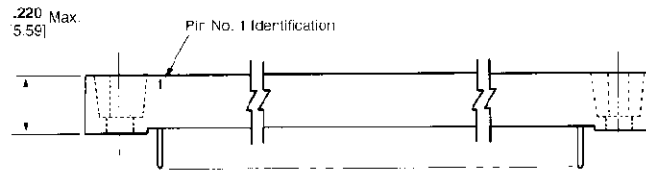
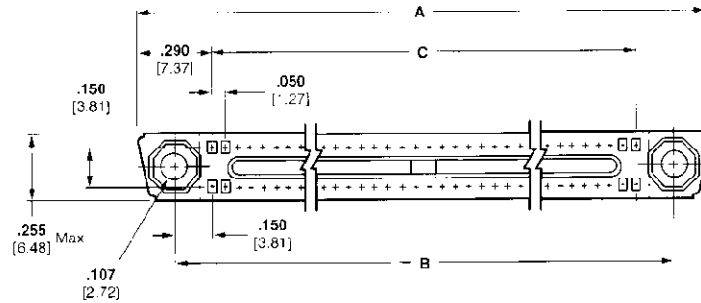
Contact Material and Finish—Commercial receptacle—Beryllium copper per QQ-C-533 or ASTM B768 plated .000030 (0.00076) min. gold in the mating area, .000100 (0.00254) min. tin-lead in the terminating area over .000030 (0.00076) min. nickel or the entire contact; Military receptacle—Beryllium copper per QQ-C-533 or ASTM B738 plated .000050 (0.00127) min. gold in the mating area, .000100 (0.00254) min. tin-lead in the terminating area over .000030 (0.00076) min. nickel on the entire contact

Related Product Data:

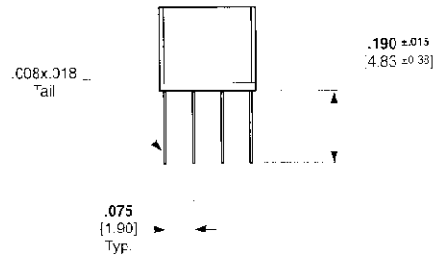
Mates with—Pin headers, pages 13, 14 & 15

External Keying—page 23

Recommended Pc Board Layout—page 21



530720 and 530745 Series



534175 Series

No. of Pcs.	Dimensions			Assemblies Part Nos.		Military Assemblies Part Nos.		
	A	B	C	Commercial	Epoxy Sealed*	M55302/	Unsealed	Sealed
128	3.740 95.00	3.450 87.63	3.150 80.01	530720-9	534175-1	119-11	1-530745-1	2-530745-2
110	3.290 83.57	3.000 76.2	2.700 68.58	530720-8	534175-2	119-10	1-530745-0	2-530745-1
100	3.040 77.22	2.750 69.85	2.450 62.23	530720-7	534175-3	119-09	530745-9	2-530745-0
90	2.790 70.87	2.500 63.5	2.200 55.88	530720-6	534175-4	119-08	530745-8	1-530745-9
80	2.540 64.52	2.250 57.15	1.950 49.53	530720-5	534175-5	119-C7	530745-7	1-530745-8
70	2.290 58.17	2.000 50.8	1.700 43.18	530720-4	534175-6	119-C6	530745-6	1-530745-7
60	2.040 51.82	1.750 44.45	1.450 36.83	530720-3	534175-7	119-05	530745-5	1-530745-6
50	1.790 45.47	1.500 38.1	1.200 30.48	530720-2	534175-8	119-C4	530745-4	1-530745-5
40	1.540 39.12	1.250 31.75	.950 24.13	530720-1	534175-9	119-03	530745-3	1-530745-4
30	1.290 32.77	1.000 25.4	.700 17.78	1-530720-0	1-534175-0	119-02	530745-2	1-530745-3
20	1.040 26.42	.750 19.05	.450 11.43	1-530720-1	1-534175-1	119-01	530745-1	1-530745-2

Note: Contact Alignment Tool—Part No. 58107-1
*Same contact material and finish per military receptacle

X-ON Electronics

Largest Supplier of Electrical and Electronic Components

Click to view similar products for [Rectangular MIL Spec Connectors](#) category:

Click to view products by [TE Connectivity](#) manufacturer:

Other Similar products are found below :

[891-011-15SA2-BSST](#) [CTS-S16/16](#) [65002-062](#) [CY4602-000](#) [732-8020-01](#) [77058-22-55PN](#) [81542-20](#) [86.030.0053.0](#) [1241346-1](#) [RM252-020-311-2900](#) [DMC-M 08-16 SA](#) [1589051-4](#) [MSO34MPK1E1](#) [BACC65CAMA](#) [BACC65CP1PN](#) [BACI10BC0816PNBA](#) [HSB-D4S03DM222X](#) [2217548-1](#) [891-006-9PS-BST1T](#) [891-009-15SA2-BRT1T](#) [27963-20T12](#) [SIM2N40NC3](#) [SIM2S100A](#) [1604996-2](#) [SMD25PN90L-4055](#) [1900ND08S1B00A](#) [22628-10-6P-791](#) [RE04-212S](#) [M32139/03-G05SN](#) [CTD160E01F-6148](#) [CTJ112E03B](#) [CTJ122E02D-8000](#) [CTJ-3D-12](#) [CTJ920E06N-513](#) [CTJ920E12N-513](#) [CTL-16-090](#) [RM300-000-581-0000](#) [CY4600-000](#) [CY4601-000](#) [38111-14-15SN](#) [38112-14-15PN](#) [MMA23-0111R1](#) [MMD25-0071P1](#) [33516062020](#) [33526M11-08PE](#) [DMC-M99-01AN](#) [Y59113WE20PNV00300](#) [ZPF000000000106310](#) [105979-31](#) [EN4165M01AD0G0](#)