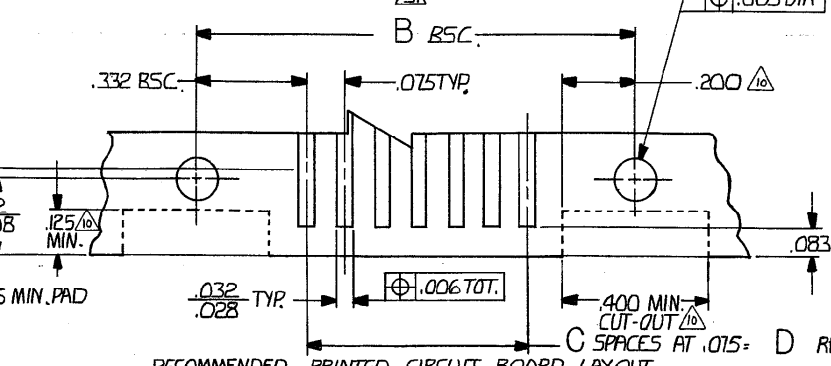
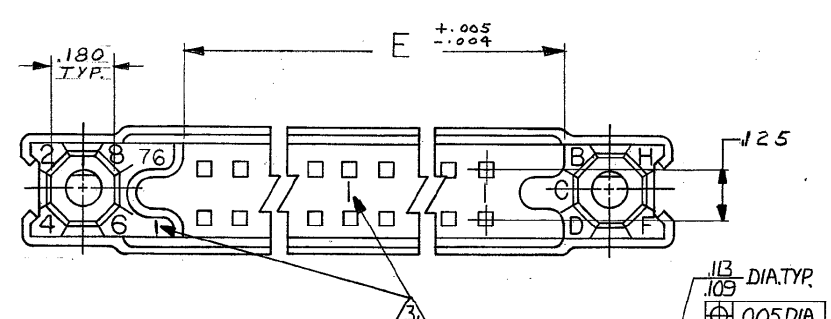
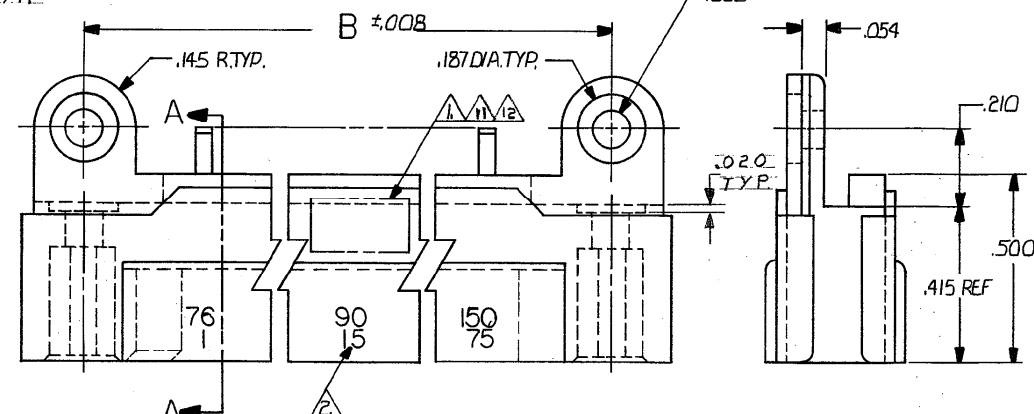
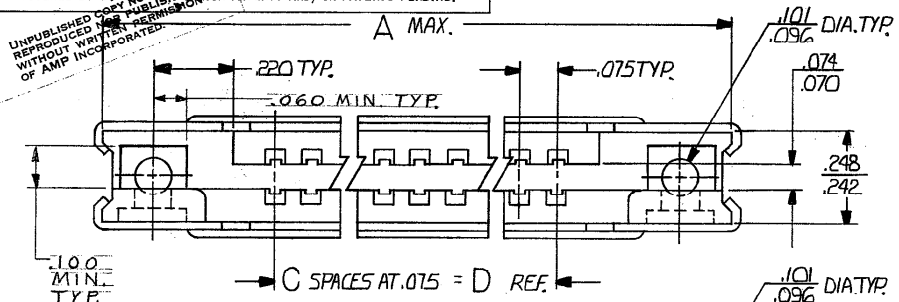
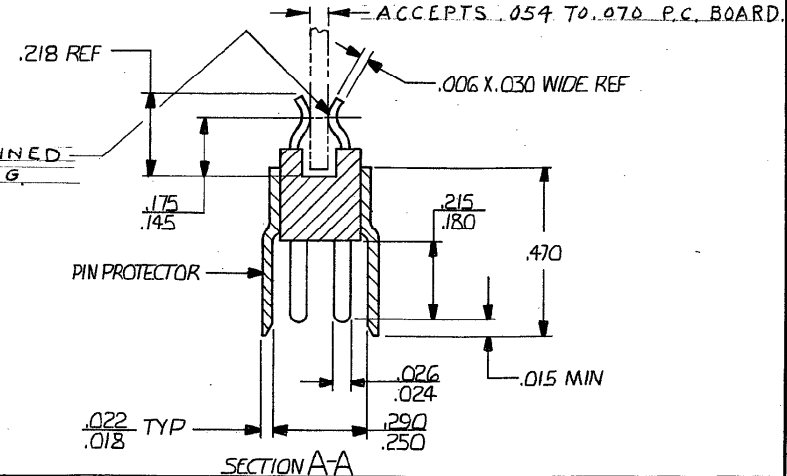


© COPYRIGHT 1977 BY AMP INCORPORATED, HARRISBURG, PA. ALL INTERNATIONAL RIGHTS RESERVED. AMP INCORPORATED PRODUCTS COVERED BY U.S. AND FOREIGN PATENTS AND/OR PATENTS PENDING.

REVISIONS					
P	F	ZONE/LTR	DESCRIPTION	DATE	APPROVED
	L		REV PER ECO 18-013457	CT 10-18	RL



- 2. CUSTOMER PART NO. 90133-1, ADDED TO STAMPING.
- 1. MILITARY PART NUMBER, 00779, DATE CODE, TE PART NUMBER AND AMP MARKED IN THIS AREA, EITHER SIDE.
- 2. NUMBERS INDICATING EVERY 5 CAVITIES TO BE MARKED ON SIDE
- 3. NUMBERS, .062 HIGH, AND LINES INDICATING EVERY 5 CAVITIES MOLDED OR MARKED. SEE SHEET 20F2
- 4. MUST MEET ALL APPLICABLE REQUIREMENTS OF MIL-C-55302.
- 6. USES KEY 530341-1 AND RIVET 530347-1.
- 1. HOUSING MATERIAL: DIALYL PHTHALATE PER MIL-M-A TYPE SDG-F COLOR: BLUE.
- 2. CONTACT MATERIAL: BRASS PER MIL-C-55302 PLATED .000050 GOLD. OVER .000050 NICKEL.
- 3. PIN PROTECTOR MATERIAL: ALUMINUM PER MIL-C-55302.
- 4. OPTIONAL CUT-OUT FOR KEYING AFTER CONNECTOR IS MOUNTED.
- 1. MARKING: AMP PART NUMBER AND DATE CODE MARKED THIS AREA.



UNLESS OTHERWISE SPECIFIED DIMENSIONS ARE IN INCHES. TOLERANCES ON: DECIMALS ±.005 ANGLES ±		CONTRACT NO	PART NO	
MATERIAL		DR Robert Usher 1-10-77	AMP INCORPORATED Harrisburg, Pa.	
FINISH		CHK R. Williams 2-3-77	NAME BOX CONNECTOR, PIN HEADER, .075 GRID.	
APPD R. Williams 2-3-77		APPD R. Shuman 2-3-77	SIZE CODE IDENT NO DRAWING NO	REV
DSGN APPD		OTHER APPD	C 00779	530785
SCALE 4-1		SHEET 1 OF 2		

THIS DRAWING IS UNPUBLISHED. RELEASED FOR PUBLICATION
 © COPYRIGHT - TE Connectivity ALL RIGHTS RESERVED.

REVISIONS				
P	LTR	DESCRIPTION	DATE	APVD
-		SEE SHEET #1	-	-

M55302/23-24	46/1		3.575	3.500	44	3.965	4.267	90	1-530785-7
M55302/23-16	6/1		.575	.300	4	.965	1.267	10	1-530785-6
M55302/23-17	11/1		.950	.675	9	1.340	1.642	20	1-530785-5
M55302/23-18	16/1		1.325	1.050	14	1.715	2.017	30	1-530785-4
M55302/23-19	21/1		1.700	1.425	19	2.090	2.392	40	1-530785-3
M55302/23-20	26/1		2.075	1.800	24	2.465	2.767	50	1-530785-2
M55302/23-21	31/1		2.450	2.175	29	2.840	3.142	60	1-530785-1
M55302/23-22	36/1		2.825	2.550	34	3.215	3.517	70	1-530785-0
M55302/23-23	41/1		3.200	2.925	39	3.590	3.892	80	530785-9
M55302/23-25	51/1		3.950	3.675	49	4.340	4.642	100	530785-8
M55302/23-26	56/1		4.325	4.050	54	4.715	5.017	110	530785-7
M55302/23-27	81/1		6.200	5.925	79	5.090	5.392	120	530785-6
M55302/23-29	81/1		6.200	5.925	79	6.590	6.892	160	530785-5
M55302/23-30	91/1		6.950	6.675	89	7.340	7.642	180	530785-4
-	46/1		3.575	3.500	44	3.965	4.267	90	530785-3
M55302/23-28	76/1		5.825	5.550	74	6.215	6.517	150	530785-2
OBSOLETE -	76/1		5.825	5.550	74	6.215	6.517	150	530785-1
MILITARY PART NO.	CONTACT IDENT. NO.	NOTES	DIM E	DIM D	DIM C	DIM B	DIM A	NUMBER OF CONTACTS	PART NO

OBSOLETE

THIS DRAWING IS A CONTROLLED DOCUMENT.

DWN M. SMITH 8-13-79	TE Connectivity BOX CONNECTOR, PIN HEADER, .075 GRID
CHK B. WELLER 8-21-79	
APVD B. WELLER 8-21-79	
NAME	
PRODUCT SPEC	SIZE CAGE CODE DRAWING NO
APPLICATION SPEC	A2 00779 C=530785
WEIGHT	RESTRICTED TO
CUSTOMER DRAWING	SCALE NTS SHEET 2 OF 2 REV L

DIMENSIONS:	TOLERANCES UNLESS OTHERWISE SPECIFIED:
INCHES	
	0 PLC ± -
	1 PLC ± -
	2 PLC ± -
	3 PLC ± -
	4 PLC ± -
	ANGLES ± -
MATERIAL	FINISH
-	-

X-ON Electronics

Largest Supplier of Electrical and Electronic Components

Click to view similar products for [TE Connectivity](#) manufacturer:

Other Similar products are found below :

[D38999/24FJ4AN](#) [570416-000](#) [CLTEQ-M81CE-SSRELAY-4-20V](#) [4-1195131-0](#) [650069-000](#) [SMD100-2](#) [358838-000](#) [CB-1022B-78](#)
[RM707012](#) [RP410012](#) [MMS42](#) [1-640426-8](#) [2EDL4CM](#) [DTS20W19-11PD-3028-LC](#) [RM202615](#) [NC6-P104-06](#) [MSPS103B](#) [DTS26F21-](#)
[41HE-LC](#) [DTS26F21-41AE](#) [DTS26F21-41PE-LC](#) [DTS26F21-11SE-3028-LC](#) [30DCB6](#) [1932144-1](#) [293545-4](#) [LVR125S](#) [MS27466T25F4PB](#)
[CKB-38-78010](#) [TR04AI-TINELLOCKRING](#) [1206SFF150F/63-2](#) [D38999/20JB35HA](#) [TE1500A2R2J](#) [D38999/20WC8BB](#) [DTS24F19-11SC-](#)
[3028-LC](#) [D38999/24WG11HA](#) [D38999/24WG11HN](#) [MS27467T21F11H](#) [DJT16E21-11HA](#) [MS27467T21F35J](#) [MS27467T21F11J](#)
[MS27467T21F16H-LC](#) [MS27467T21F35H](#) [MS27467T21F41H-LC](#) [1206SFH150F/24-2](#) [RP330024](#) [DJT16E21-11PA-LC](#) [DJT16E21-11HA-](#)
[LC](#) [DJT16E21-11AA](#) [MS27467T21B11JA](#) [DJT16E21-11JA](#) [MS27467T21B11JA-LC](#)