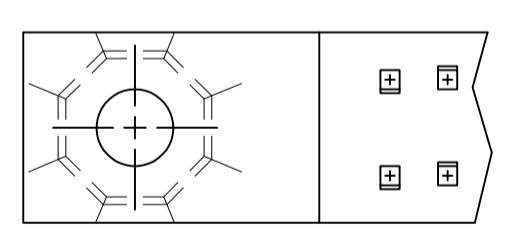
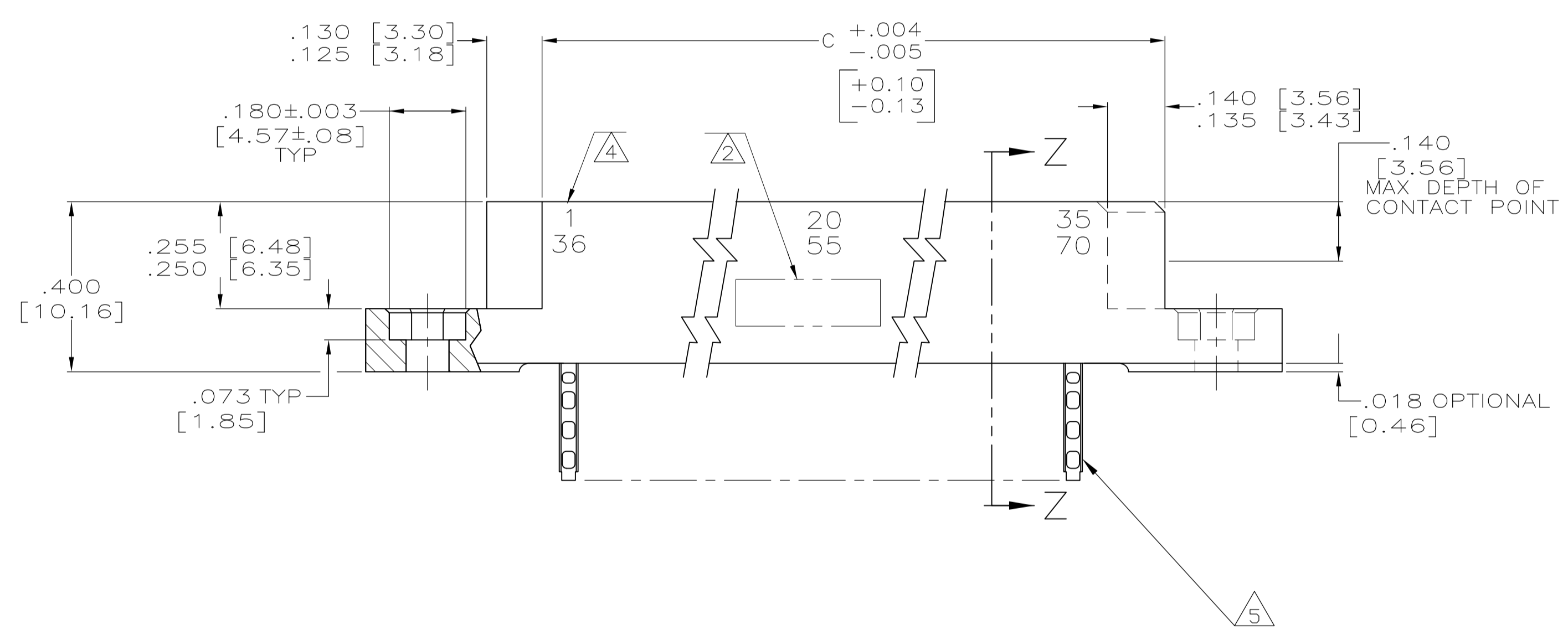
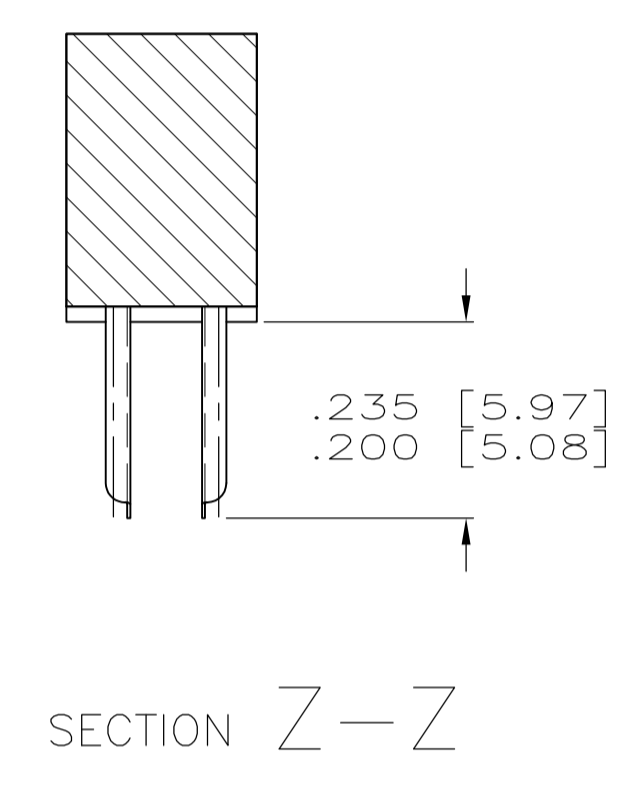
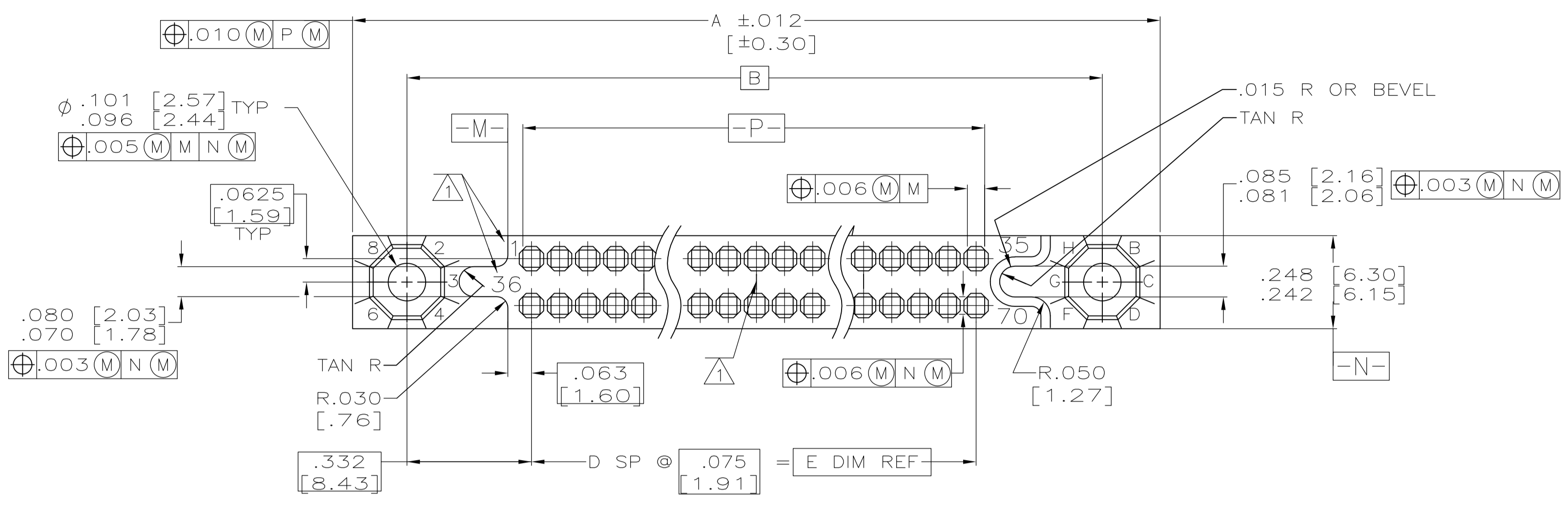


LOC		DIST		REVISIONS			
P	LTR	DESCRIPTION	DATE	DN	APVD	CT	RL
D	REV PER ECO	14-008136	5-30-14	CT	RL		



M55302/24-78	1-45 46-90	3.300 [83.82]	44	3.565 [90.55]	3.965 [100.71]	4.255 [108.08]	90	1-531129-2
M55302/24-86	1-55 56-110	4.050 [102.87]	54	4.315 [109.60]	4.715 [119.76]	5.005 [127.13]	110	1-531129-1
M55302/24-82	1-50 51-100	3.675 [93.35]	49	3.940 [100.08]	4.340 [110.24]	4.630 [117.60]	100	1-531129-0
M55302/24-74	1-40 41-80	2.925 [74.30]	39	3.190 [81.03]	3.590 [91.19]	3.880 [98.55]	80	531129-9
M55302/24-70	1-35 36-70	2.550 [64.77]	34	2.815 [71.50]	3.215 [81.66]	3.505 [89.03]	70	531129-8
M55302/24-66	1-30 31-60	2.175 [55.25]	29	2.440 [61.98]	2.840 [72.14]	3.130 [79.50]	60	531129-7
M55302/24-62	1-25 26-50	1.800 [45.72]	24	2.065 [52.45]	2.465 [62.61]	2.755 [69.98]	50	531129-6
M55302/24-58	1-20 21-40	1.425 [36.20]	19	1.690 [42.93]	2.090 [53.09]	2.380 [60.45]	40	531129-5
M55302/24-54	1-15 16-30	1.050 [26.67]	14	1.315 [33.40]	1.715 [43.56]	2.005 [50.93]	30	531129-4
M55302/24-50	1-10 11-20	.675 [17.15]	9	.940 [23.88]	1.340 [34.04]	1.630 [41.40]	20	531129-3
M55302/24-46	1-5 6-10	.300 [7.62]	4	.565 [14.35]	.965 [24.51]	1.255 [31.88]	10	531129-2
5	1-45 46-90	3.300 [83.82]	44	3.565 [90.55]	3.965 [100.71]	4.255 [108.08]	90	531129-1
IDENTIFICATION MARKING	CONTACT IDENT NO	DIM E	DIM D	DIM C	DIM B	DIM A	NO OF CONTACTS	PART NO.

- 1 NUMBERS (SEE TABLE) AND LINES INDICATING EVERY FIVE CAVITIES.
- 2 CUSTOMER PART NO, 00779, DATE CODE, AMP PART NO, AND AMP IN AREA SHOWN
- 3. MUST MEET ALL APPLICABLE REQUIREMENTS OF MIL-C-55302 AND ITTA DRAWING 1138740
- 4 NUMBERS INDICATING EVERY FIVE CAVITIES MARKED ON SIDE.
- 5 CONTACT MATERIAL: BERYLLIUM COPPER (BeCu) OR COPPER NICKEL SILICONE (CuNiSi)
FINISH: .000050 MIN GOLD PER ASTM-B-488 OVER .000030 MIN NICKEL PER AMS-QQ-N-290 IN CONTACT AREA, 60/40 TIN-LEAD OVER NICKEL IN TAIL AREA PER SAE-AMS-P-81728

THIS DRAWING IS A CONTROLLED DOCUMENT. **STE** TE Connectivity

APVD: N. DEIBERT, 22MAR07
 DIMENSIONS: INCHES
 TOLERANCES UNLESS OTHERWISE SPECIFIED:
 0. PLC ± -
 1. PLC ± -
 2. PLC ± -
 3. PLC ± -
 4. PLC ± -
 ANGLES ± -

NAME: RECEPTACLE ASSY, 750 SERIES BOX MILITARY, WITH EXTERNAL KEYING AND SOLDER EYELET CONTACTS
 SIZE: A1
 CAGE CODE: 00779
 DRAWING NO: 531129
 WEIGHT: -
 CUSTOMER DRAWING

SCALE: 4:1 SHEET 1 OF 1 REV D

X-ON Electronics

Largest Supplier of Electrical and Electronic Components

Click to view similar products for [TE Connectivity](#) manufacturer:

Other Similar products are found below :

[D38999/24FJ4AN](#) [570416-000](#) [CLTEQ-M81CE-SSRELAY-4-20V](#) [4-1195131-0](#) [650069-000](#) [SMD100-2](#) [358838-000](#) [CB-1022B-78](#)
[RM707012](#) [RP410012](#) [MMS42](#) [1-640426-8](#) [2EDL4CM](#) [DTS20W19-11PD-3028-LC](#) [RM202615](#) [NC6-P104-06](#) [MSPS103B](#) [DTS26F21-41HE-LC](#) [DTS26F21-41AE](#) [DTS26F21-41PE-LC](#) [DTS26F21-11SE-3028-LC](#) [30DCB6](#) [1932144-1](#) [293545-4](#) [LVR125S](#) [MS27466T25F4PB](#)
[CKB-38-78010](#) [TR04AI-TINELLOCKRING](#) [1206SFF150F/63-2](#) [D38999/20JB35HA](#) [TE1500A2R2J](#) [D38999/20WC8BB](#) [DTS24F19-11SC-3028-LC](#) [D38999/24WG11HA](#) [D38999/24WG11HN](#) [MS27467T21F11H](#) [DJT16E21-11HA](#) [MS27467T21F35J](#) [MS27467T21F11J](#)
[MS27467T21F16H-LC](#) [MS27467T21F35H](#) [MS27467T21F41H-LC](#) [1206SFH150F/24-2](#) [RP330024](#) [DJT16E21-11PA-LC](#) [DJT16E21-11HA-LC](#) [DJT16E21-11AA](#) [MS27467T21B11JA](#) [DJT16E21-11JA](#) [MS27467T21B11JA-LC](#)