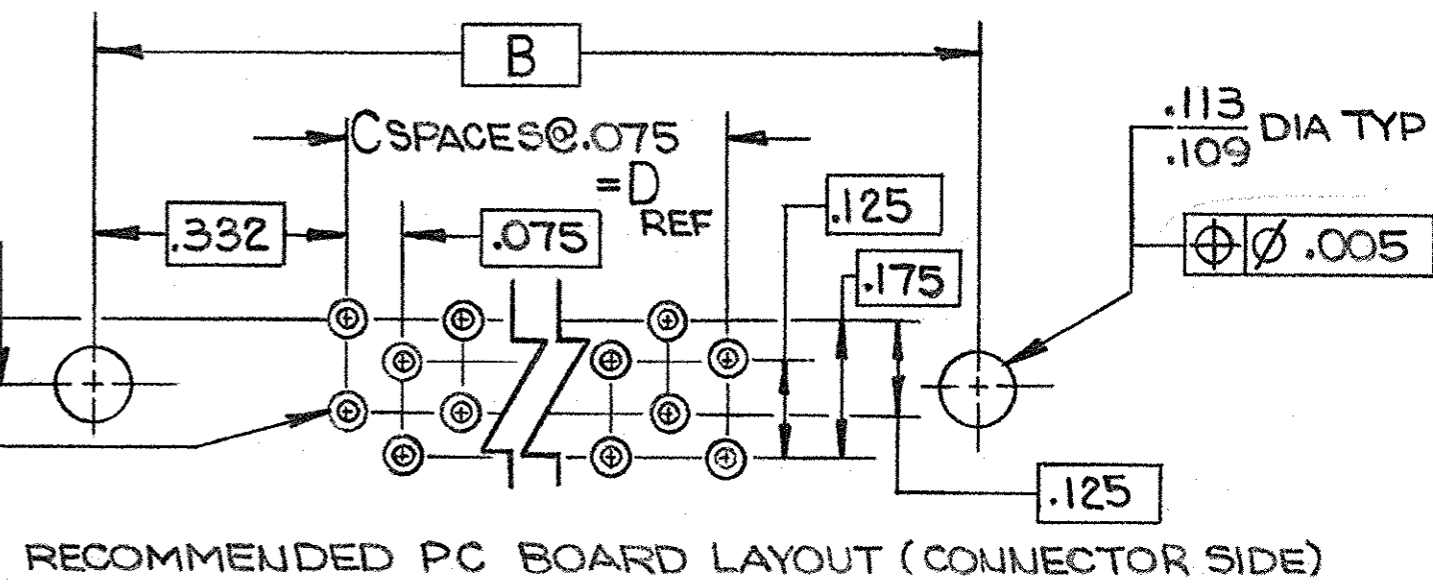
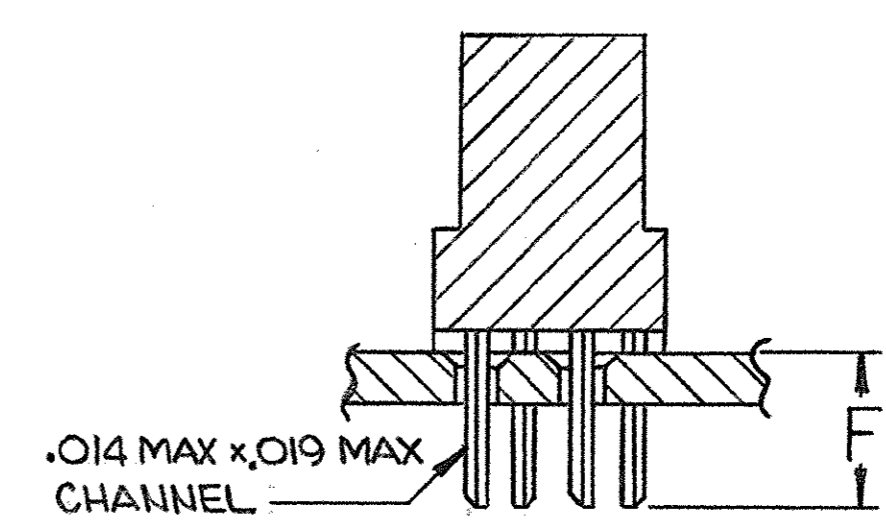
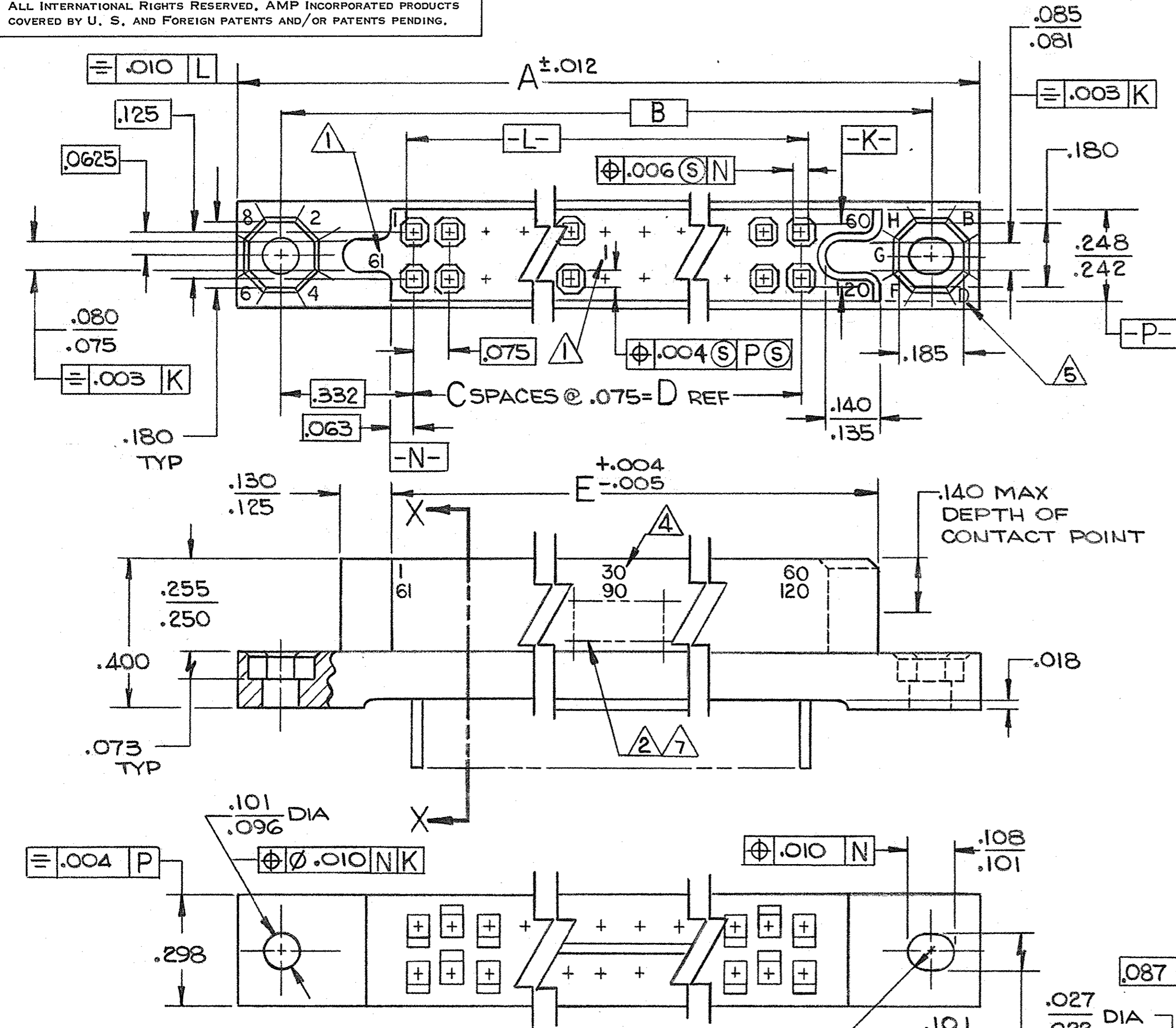


© COPYRIGHT 19 BY AMP INCORPORATED, HARRISBURG, PA.  
ALL INTERNATIONAL RIGHTS RESERVED. AMP INCORPORATED PRODUCTS  
COVERED BY U. S. AND FOREIGN PATENTS AND/OR PATENTS PENDING.

REVISIONS				DATE	APPROVED
P	F	ZONE/LTR	DESCRIPTION		
		D	ECO-08-020831	PY 10-08	BW



- 1. NUMBERS (SEE TABLE) AND LINES INDICATING EVERY FIVE (5) CAVITIES MARKED ON MATING FACE
  - 2. IDENTIFICATION MARKINGS PER MIL-C-55302 (SEE TABLE) IN ADDITION TO "AMP", PART NO. AND DATE CODE.
  - 3. MUST MEET ALL APPLICABLE REQUIREMENTS OF MIL-C-55302.
  - 4. NUMBERS INDICATING EVERY FIVE (5) CAVITIES MARKED ON SIDE.
  - 5. KEY POSITION INDICATORS MOLDED ON HOUSING.
  - 6. USES KEY KIT PART NUMBER 530341-3.
  - 7. MARKING FOR DASH 5 PART NUMBER IS: AMP 531145-5, DATE CODE, 414-2998-001, 94756, 00779.
  - 8. HOUSING: DIALYL PHTHALATE PER MIL-M-14 TYPE SDG-F COLOR: BLUE
  - 9. CONTACTS: BERYLLIUM COPPER (BeCu) OR COPPER NICKEL SILICONE (CuNiSi)
  - 10. FINISH: .000050 GOLD IN CONTACT AREA, TIN-LEAD ON SOLDER TAILS, ALL OVER NICKEL UNDERPLATE.
- [NOTES CONTINUED -- SEE SHEET 2]

UNLESS OTHERWISE SPECIFIED DIMENSIONS ARE IN INCHES. TOLERANCES ON: DECIMALS ±.005 ANGLES ±	CONTRACT NO 10-9-79	PART NO
	DR IRSHAFFNER	
MATERIAL 8	CHK Roya W. Dunbar 11/7/79	NAME RECEPTACLE ASSEMBLY, 750 SERIES BOX, WITH EXTERNAL KEYING, FLOW SOLDER CONTACTS
FINISH 9	APPD Roya W. Dunbar 11/7/79	SIZE C
	DSGN APPD	CODE IDENT NO 00779
	OTHER APPD	DRAWING NO 531145
		REV D
	SCALE 4:1	SHEET 1 OF 2

531145

© COPYRIGHT 19 BY AMP INCORPORATED, HARRISBURG, PA.  
ALL INTERNATIONAL RIGHTS RESERVED. AMP INCORPORATED PRODUCTS  
COVERED BY U. S. AND FOREIGN PATENTS AND/OR PATENTS PENDING.

REVISIONS					
P	F	ZONE	LTR	DESCRIPTION	DATE APPROVED
~ SEE SHEET 1					

**10** ATTACHED FLOW CHART PERTAINS TO DASH FIVE ONLY  
AND CORRESPONDS TO THE BASELINE DOCUMENT FOR  
532476, ROCKWELL ONLY.

531145

#	1 - 90	91 - 180	215/250	6.940	6.675	89	7.340	7.630	180	531145-5
M55302/25-29	1 - 90	91 - 180	.171/.136	6.940	6.675	89	7.340	7.630	180	531145-4
M55302/25-25	1 - 80	81 - 160	↑	6.190	5.925	79	6.590	6.880	160	↑ -3
M55302/25-21	1 - 75	76 - 150	↓	5.815	5.550	74	6.215	6.505	150	↓ -2
M55302/25-17	1 - 60	61 - 120	.171/.136	4.690	4.425	59	5.090	5.380	120	531145-1
REMARKS	IDENTIFICATION MARKING	CONTACT IDENT NO.	F	E	D	C	B	A	NO. OF CONTACTS	PART NO

UNLESS OTHERWISE SPECIFIED DIMENSIONS ARE IN INCHES. TOLERANCES ON: DECIMALS ± _____ ANGLES ± _____ MATERIAL _____ FINISH _____	CONTRACT NO		<b>AMP</b>   AMP INCORPORATED Harrisburg, Pa.	
	DR <b>IRSHAFNER</b> 10-9-79		NAME RECEPTACLE ASSEMBLY, 750 SERIES BOX, WITH EXTERNAL KEYING, FLOW SOLDER CONTACTS	
	CHK/ <i>Joseph W. Durbin</i> 11/7/79		SIZE CODE IDENT NO DRAWING NO	
	APPD <i>Joseph W. Durbin</i> 11/7/79		<b>C</b> 00779 531145	
APPD <i>R. J. ...</i> 11/8/79		SCALE _____ SHEET 2		
DSGN APPD _____		REV D		
OTHER APPD _____				

## X-ON Electronics

Largest Supplier of Electrical and Electronic Components

*Click to view similar products for [TE Connectivity](#) manufacturer:*

Other Similar products are found below :

[D38999/24FJ4AN](#) [570416-000](#) [CLTEQ-M81CE-SSRELAY-4-20V](#) [4-1195131-0](#) [650069-000](#) [SMD100-2](#) [358838-000](#) [CB-1022B-78](#)  
[RM707012](#) [RP410012](#) [MMS42](#) [1-640426-8](#) [2EDL4CM](#) [DTS20W19-11PD-3028-LC](#) [RM202615](#) [NC6-P104-06](#) [MSPS103B](#) [DTS26F21-41HE-LC](#) [DTS26F21-41AE](#) [DTS26F21-41PE-LC](#) [DTS26F21-11SE-3028-LC](#) [30DCB6](#) [1932144-1](#) [293545-4](#) [LVR125S](#) [MS27466T25F4PB](#)  
[CKB-38-78010](#) [TR04AI-TINELLOCKRING](#) [1206SFF150F/63-2](#) [D38999/20JB35HA](#) [TE1500A2R2J](#) [D38999/20WC8BB](#) [DTS24F19-11SC-3028-LC](#) [D38999/24WG11HA](#) [D38999/24WG11HN](#) [MS27467T21F11H](#) [DJT16E21-11HA](#) [MS27467T21F35J](#) [MS27467T21F11J](#)  
[MS27467T21F16H-LC](#) [MS27467T21F35H](#) [MS27467T21F41H-LC](#) [1206SFH150F/24-2](#) [RP330024](#) [DJT16E21-11PA-LC](#) [DJT16E21-11HA-LC](#) [DJT16E21-11AA](#) [MS27467T21B11JA](#) [DJT16E21-11JA](#) [MS27467T21B11JA-LC](#)