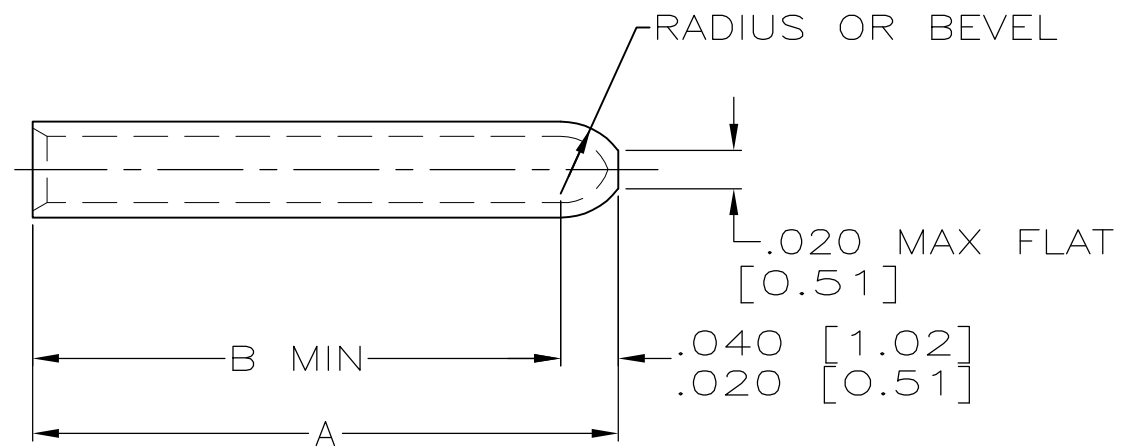
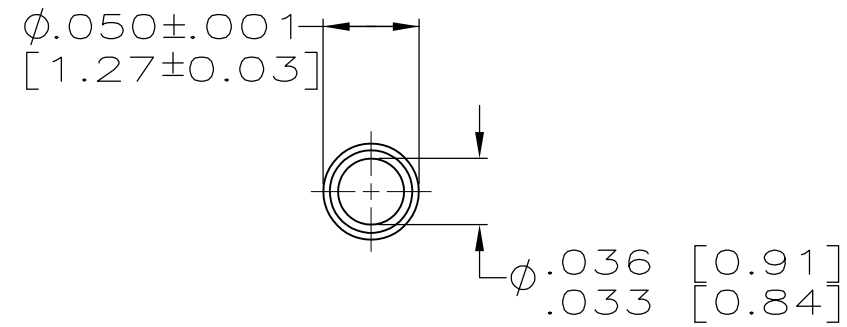


THIS DRAWING IS UNPUBLISHED. RELEASED FOR PUBLICATION  
 © COPYRIGHT - By - ALL RIGHTS RESERVED.

LOC		DIST		REVISIONS			
P	LTR	DESCRIPTION		DATE	DWN	APVD	
	D	REV PER ECO 12-007533		10-8-12	CT	DM	



M55302/31-02	BRASS	NICKEL	.225 [5.72]	.250 [6.35]	583254-4
M55302/31-01	BRASS	NICKEL	.240 [6.10]	.305 [7.75]	583254-3
MILITARY PART NUMBER	MATERIAL	FINISH	B	A	PART NUMBER

THIS DRAWING IS A CONTROLLED DOCUMENT.		DWN T. ALEXANDER 12-16-94	TE Connectivity		
DIMENSIONS: INCHES [mm]		CHK D. MILLER 12-22-94			
TOLERANCES UNLESS OTHERWISE SPECIFIED:		APVD B. FOLEY 12-22-94	NAME KEYING SLEEVE		
		PRODUCT SPEC	RESTRICTED TO		
MATERIAL SEE TABLE		FINISH SEE TABLE	APPLICATION SPEC	SIZE A3	CAGE CODE 00779
		WEIGHT -	DRAWING NO C-583254	SCALE 10:1	SHEET 1 OF 1
CUSTOMER DRAWING			REV D		

## X-ON Electronics

Largest Supplier of Electrical and Electronic Components

*Click to view similar products for [Rectangular Mil Spec Connectors](#) category:*

*Click to view products by [TE Connectivity](#) manufacturer:*

Other Similar products are found below :

[006-1169-16](#) [CSR31343-0001-00000](#) [CSR31899-0001-00000](#) [CSR31900-0001-A0001](#) [CTJ-3D-05](#) [CTS-S16/16](#) [M55302/57A36X](#)  
[M55302/58-A70Y](#) [65002-062](#) [65008-D08](#) [CY4602-000](#) [732-8020-01](#) [732-8021-02 B](#) [77058-22-55PN](#) [81542-20](#) [86.030.0053.0](#) [1241346-1](#)  
[RM252-020-311-2900](#) [DMC-M 08-16 SNE](#) [1589051-4](#) [BACC65CAMA](#) [BACC65CAMN](#) [BACC65CP1PN](#) [BACI10BC1220PN](#) [EN4165A99-](#)  
[011NB](#) [18023-9](#) [HSB-D4S03DM222X](#) [2217548-1](#) [891-009-15SA2-BRT1T](#) [SIM2S100A](#) [1604996-2](#) [SMD25PN90L-4055](#) [220A012-25225-0](#)  
[22628-10-6P-791](#) [CSR31343-0001-A0001](#) [CSR31899-0001-A0001](#) [CSR31900-0001-00000](#) [33526M11-08PD](#) [RE04-212S](#) [CTD160E01F-](#)  
[6148](#) [CTJ112E03B](#) [CTJ122E02D-8000](#) [CTJ-3D-12](#) [CTJ920E06N-513](#) [CTJ920E12N-513](#) [CTL-16-090](#) [CTR06-5100SY](#) [M55302/63A20H](#)  
[M55302/66-30H](#) [M81714/63-22S W/PLUGS INS](#)