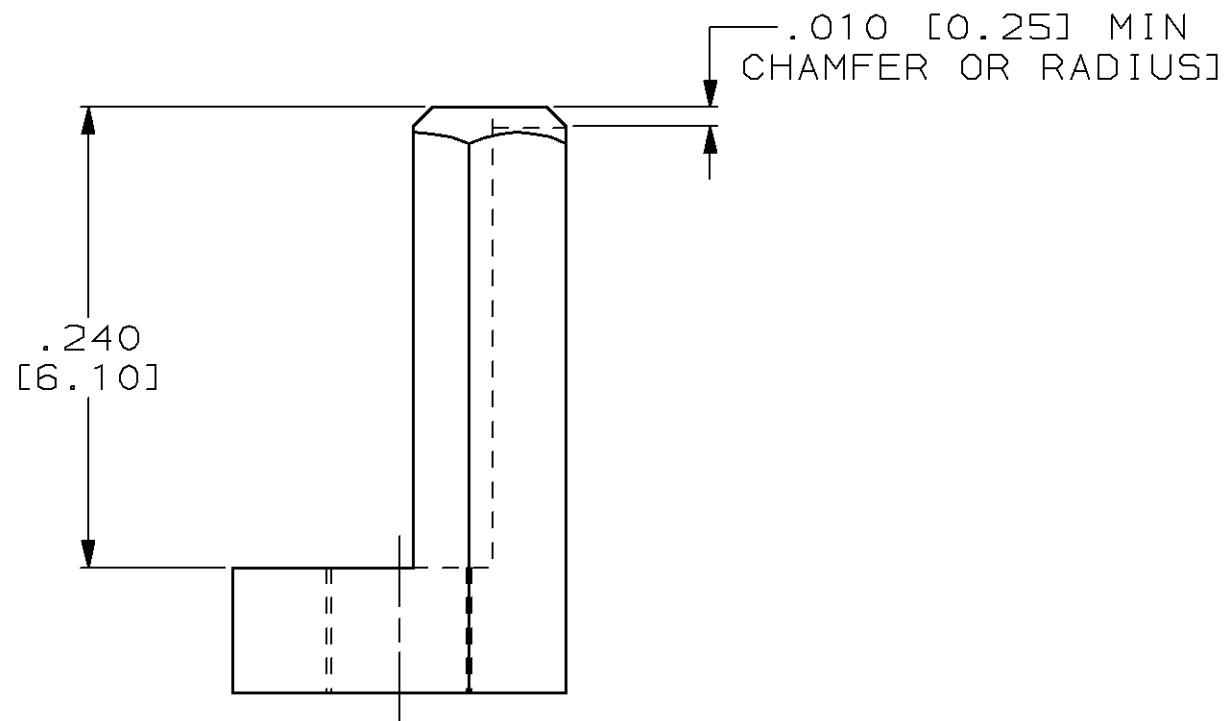
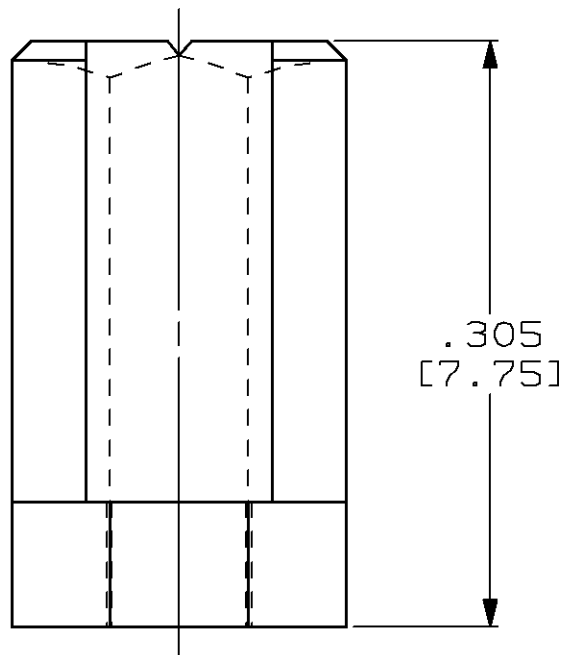
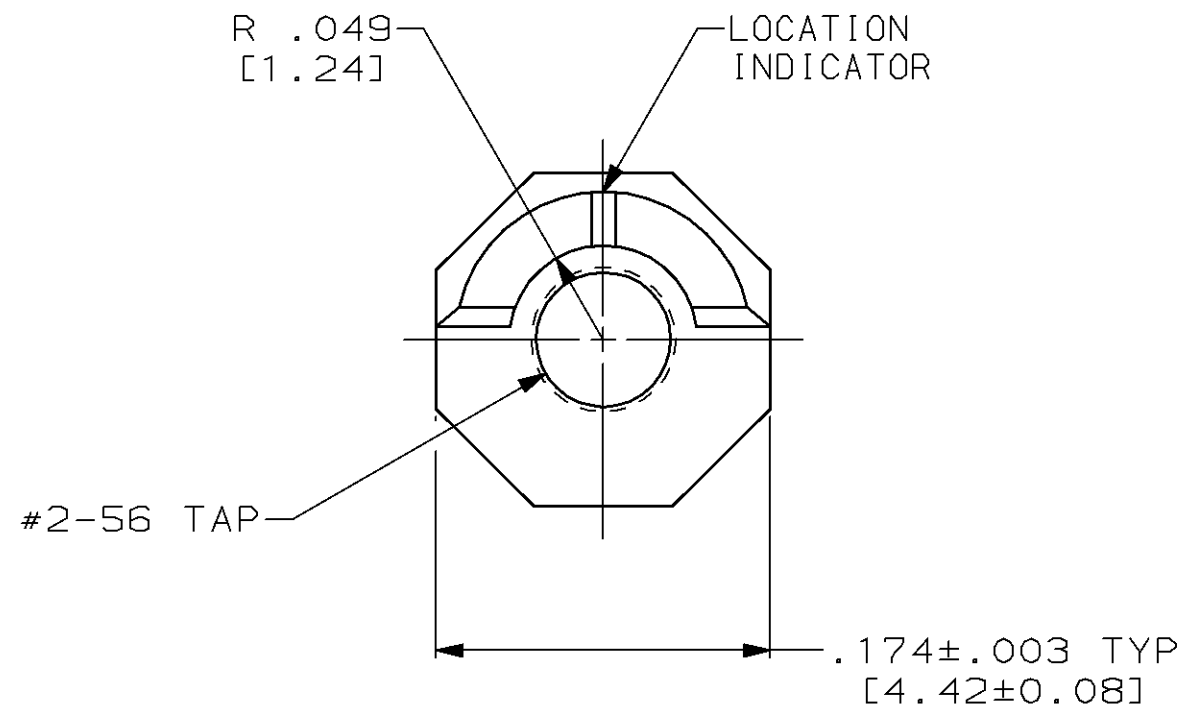


THIS DRAWING IS UNPUBLISHED. RELEASED FOR PUBLICATION
 © COPYRIGHT 19 BY AMP INCORPORATED. ALL INTERNATIONAL RIGHTS RESERVED.

PROD CODE	LOC	DIST	P	F	ZONE	LTR	DESCRIPTION	DATE	APPD
5394	DF	FO				F1	REDRAWN & REVISED PER ECN DF-4625 T.S.	2-23-93	DM
			✓	✓		G	REV PER 0600-5094-96 JB	08-03-97	DM



- ① RECEPTACLE KIT CONSISTING OF 2 PIECES OF 530341-1 AND 2 #2-56 SCREWS, 1/4" LONG.
- ② PIN HEADER KIT CONSISTING OF 2 PIECES OF 530341-1 AND 2 PIECES OF 530347-1.
- ③ PIN HEADER KIT CONSISTING OF 2 PIECES OF 530341-1 AND 2 PIECES OF 530347-3.
- ④ CONSISTS OF 2 PIECES OF 530341-1.
- ⑤ PIN HEADER KIT CONSISTING OF 2 PIECES OF 530341-1 AND 2 #2-56 CROSS RECESSED ROUND HEADED SCREWS .250 LONG.
- ⑥ RECEPTACLE KIT CONSISTING OF 2 PIECES OF 530341-1 AND 2 PIECES OF 530347-2.

⑥	---	530341-8
⑤	---	530341-7
④	---	530341-6
③	---	530341-5
②	---	530341-4
①	---	530341-3
AS SHOWN	M55302/31-04	530341-1
REMARKS	MILITARY PART NUMBER	PART NUMBER

DO NOT SCALE PRINT. UNLESS SPECIFIED DIMENSIONS IN INCHES [mm] TOLERANCES ON : 2 PLC DEC ± _____ 3 PLC DEC ± .005 [0.13] ANGLES ± _____	DR 4-18-91 T. SHUEY	AMP Incorporated Harrisburg, PA 17105-3608	
	CHK 2-23-93 D. MILLER		
MATERIAL STAINLESS STEEL PER ASTM-A-582	APPD 2-23-93 B. FOLEY	EXTERNAL KEY, BOX CONNECTOR	
FINISH PASSIVATED PER QQ-P-35	APPD 2-23-93 T. ALEXANDER	SIZE C	CAGE CODE 00779
	APPLICATION SPEC -	DRAWING NO 530341	SHEET 1 OF 1
	WEIGHT -	SCALE 10:1	

X-ON Electronics

Largest Supplier of Electrical and Electronic Components

Click to view similar products for [Rectangular MIL Spec Connectors](#) category:

Click to view products by [TE Connectivity](#) manufacturer:

Other Similar products are found below :

[891-011-15SA2-BSST](#) [CTS-S16/16](#) [65002-062](#) [CY4602-000](#) [732-8020-01](#) [77058-22-55PN](#) [81542-20](#) [86.030.0053.0](#) [1241346-1](#) [RM252-020-311-2900](#) [DMC-M 08-16 SA](#) [1589051-4](#) [MSO34MPK1E1](#) [BACC65CAMA](#) [BACC65CP1PN](#) [BACI10BC0816PNBA](#) [HSB-D4S03DM222X](#) [2217548-1](#) [891-006-9PS-BST1T](#) [891-009-15SA2-BRT1T](#) [27963-20T12](#) [SIM2N40NC3](#) [SIM2S100A](#) [1604996-2](#) [SMD25PN90L-4055](#) [1900ND08S1B00A](#) [22628-10-6P-791](#) [33526M11-08PD](#) [RE04-212S](#) [M32139/03-G05SN](#) [CTD160E01F-6148](#) [CTJ112E03B](#) [CTJ122E02D-8000](#) [CTJ-3D-12](#) [CTJ920E06N-513](#) [CTJ920E12N-513](#) [CTL-16-090](#) [RM300-000-581-0000](#) [CY4600-000](#) [CY4601-000](#) [38111-14-15SN](#) [38112-14-15PN](#) [MMA23-0111R1](#) [MMD25-0071P1](#) [33516062020](#) [33526M11-08PE](#) [DMC-M99-01AN](#) [Y59113WE20PNV00300](#) [ZPF000000000106310](#) [105979-31](#)