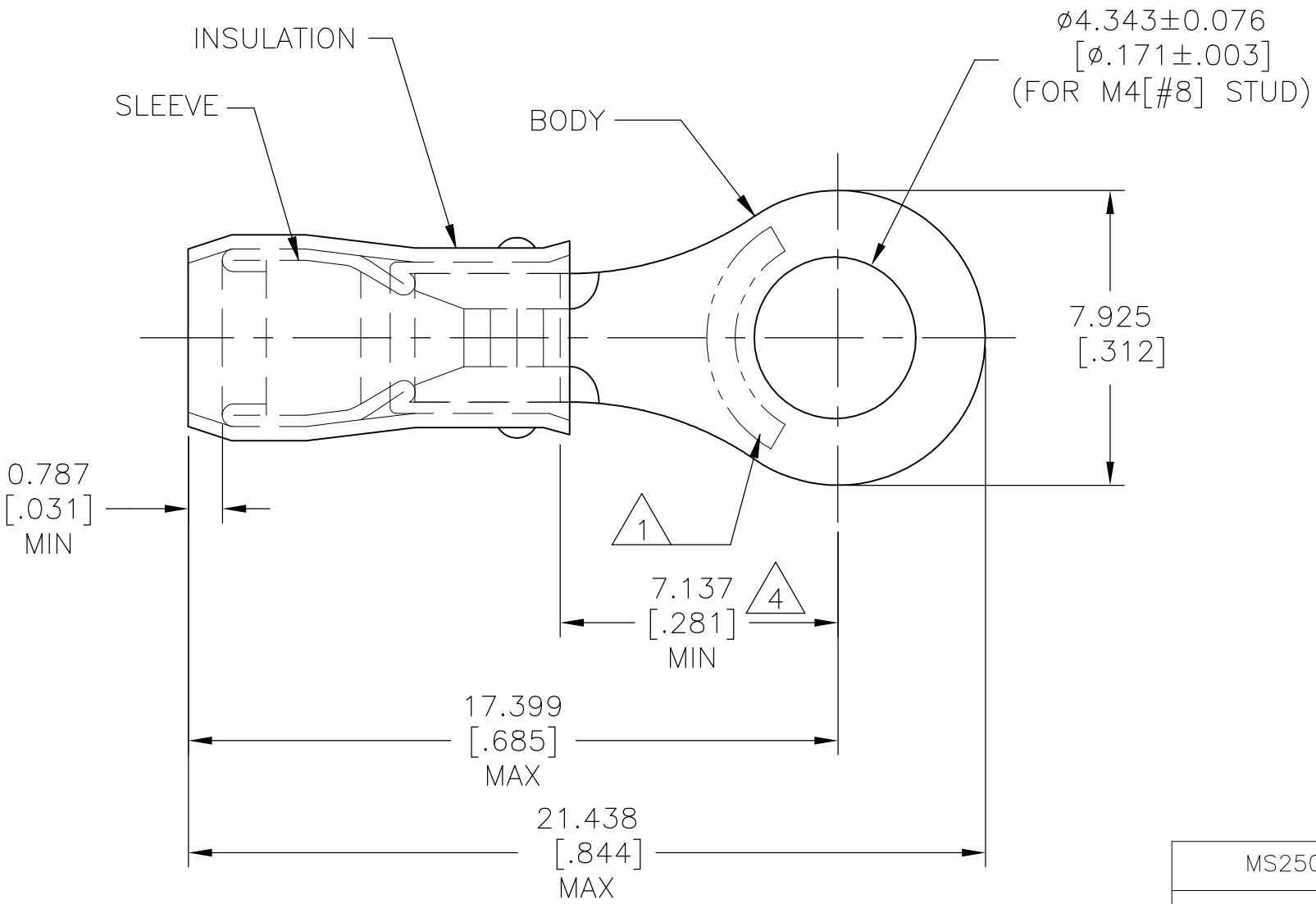


| REVISIONS | | | | | |
|-----------|-----|---------------------------|-----------|-----|------|
| P | LTR | DESCRIPTION | DATE | DWN | APVD |
| | AA | REVISED PER ECO-14-015277 | 14FEB2015 | NK | DR |
| | AA1 | REVISED PER ECO-17-008114 | 05JUN2018 | RS | DR |

| | | |
|--------------------------------|--------------------------------|--------------------------------|
| AMP WIRE RANGE | E13288 Listed | LR7189 Certified |
| 22-16 AWG SOLID OR STRANDED | 22-16 AWG SOLID OR STRANDED | 22-16 AWG SOLID OR STRANDED |



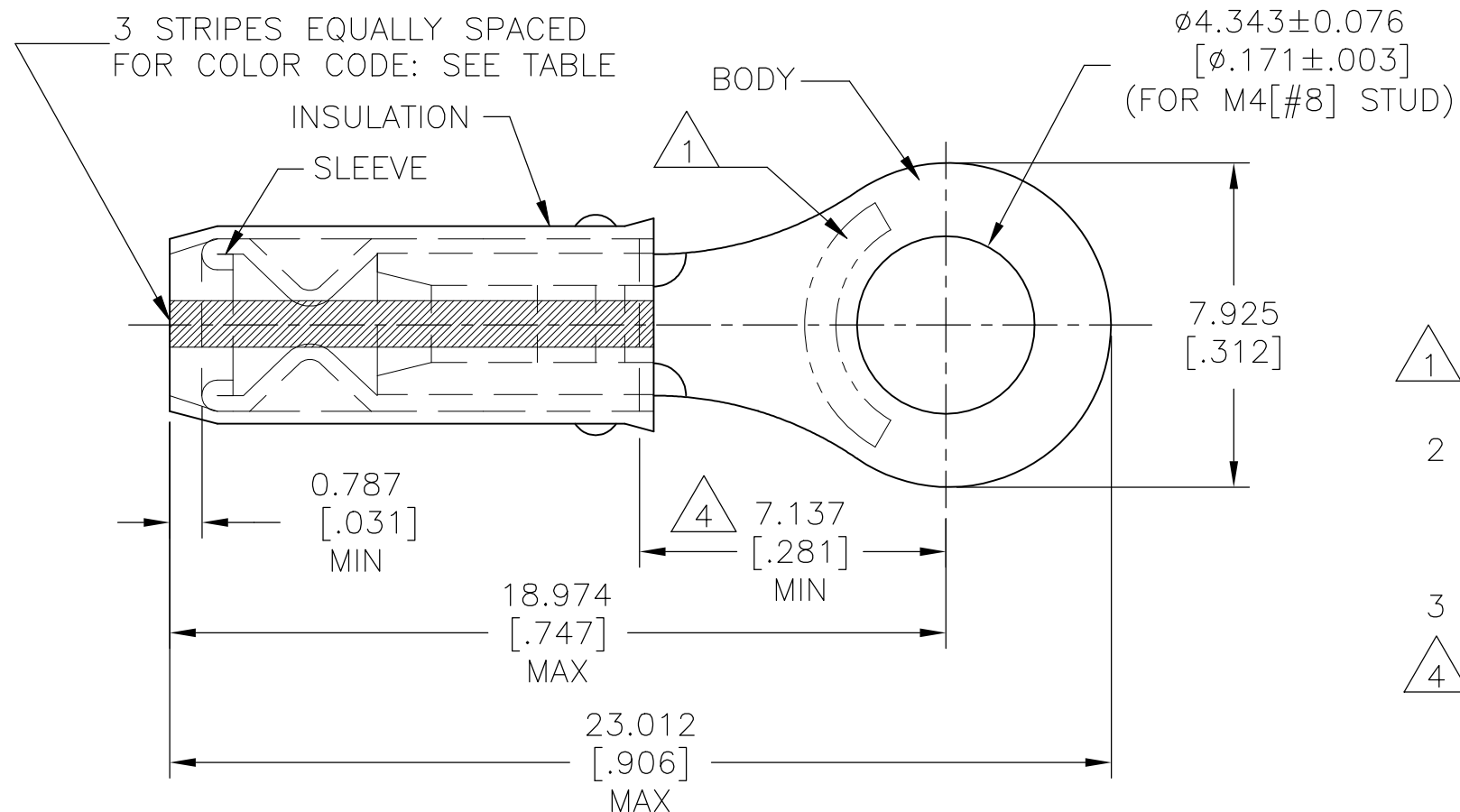
- 1 STAMP AMP 22-18* APPROX AS SHOWN
22-16 TERMINALS ARE STAMPED 22-18 IN
ACCORDANCE WITH MILITARY SPEC SAE AS7928
COMMERCIAL WIRE RANGE IS 22-16.
- 2 WIRE INSULATION DIA: 2.032-3.175[.080-.125].
- 3 BODY MATERIAL THK: 0.787±0.051[.031±.002].
- 4 APPLIES FROM EDGE OF METAL WIRE BARREL TO
CENTER OF STUD HOLE.

| | | | |
|-------------------------|----------|---------------|------------|
| MS25036-149 CLASS 2 | 5000 | ON TAPE, REEL | 1-320551-1 |
| MS25036-149 CLASS 1 & 2 | 1000 | LOOSE PIECE | 320551 |
| MILITARY P/N AND CLASS | QUANTITY | PACKAGE TYPE | PART NO |

| | | |
|---|--|--|
| AMP INCORPORATED CUSTOMER SERVICE SYSTEMS | | MAX RECOMMENDED OPERATING TEMPERATURE: 105°C[221°F] |
| FOR ADDITIONAL PRODUCT INFORMATION OR COPIES OF DRAWINGS AND TECHNICAL DOCUMENTS | PRODUCT INFORMATION CENTER 1-800-522-6752 | VOLTAGE RATING: 300 V MAX |
| FOR APPLICATION TOOLING INFORMATION | TOOLING ASSISTANCE CENTER 1-800-722-1111 | CIRCULAR MIL AREA: 0.26-1.65mm ² [509-3,260] CIR MILS SOLID OR STRANDED |
| FOR ORDER ENTRY | 1-800-526-5142 | |

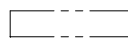
| | | | | |
|---|--|--|---|------------------------|
| THIS DRAWING IS A CONTROLLED DOCUMENT. | | DWN DK SCHRUM 9/8/93 | TE Connectivity Ltd. | |
| DIMENSIONS: mm [INCHES] | | CHK RE HERSEY 9/8/93 | | |
| TOLERANCES UNLESS OTHERWISE SPECIFIED: | | APVD ML ELLIS 9/8/93 | NAME TERMINAL, RING TONGUE, PIDG™, WIRE SIZE, 26-16 AWG | |
| 0 PLC ± - 1 PLC ± - 2 PLC ± - 3 PLC ± 0.127[.005] 4 PLC ± - ANGLES ± - | | PRODUCT SPEC UL 486A-B | SIZE 114-2157 | |
| MATERIAL BODY & SLEEVE COPPER PER ASTM B-152 INSULATION: NYLON | | FINISH BODY & SLEEVE TIN PLATE PER ASTM B545 INSULATION: COLOR-RED | APPLICATION SPEC 114-2157 | RESTRICTED TO - |
| CUSTOMER DRAWING | | WEIGHT - | SCALE A3 00779 | DRAWING NO C-320551 |
| | | | SHEET 1 OF 2 | REV AA1 |

| P | LTR | DESCRIPTION | DATE | DWN | APVD |
|---|-----|-------------|------|-----|------|
| - | - | SEE SHEET 1 | - | - | - |



AMP
WIRE RANGE

SEE TABLE
STRANDED

- 1 STAMP AMP  APPROX AS SHOWN SEE TABLE BELOW.
- 2 WIRE INSULATION DIA: 0.965–2.794[.038–.110] FOR 22 AWG
1.168–2.794[.046–.110] FOR 20 AWG
1.422–2.794[.056–.110] FOR 18 AWG.
- 3 BODY MATERIAL THK: 0.787±0.051[.031±.002].
- 4 APPLIES FROM EDGE OF METAL WIRE BARREL TO CENTER OF STUD HOLE.

| | | | | | | |
|------------------------|--------------|------------|-----------|----------|------------------|------------|
| - | RED | 20* | 20 | 100 | LOOSE PIECE, BOX | 8-320551-1 |
| M7928/1-32 CLASS 2 | WHITE | 18* | 18 | 5000 | ON TAPE, REEL | 1-320551-8 |
| M7928/1-32 CLASS 1 & 2 | WHITE | 18* | 18 | 1000 | LOOSE PIECE | 1-320551-4 |
| M7928/1-23 CLASS 1 & 2 | RED | 20* | 20 | 1000 | LOOSE PIECE | 1-320551-3 |
| M7928/1-14 CLASS 1 & 2 | GREEN | 22* | 22 | 1000 | LOOSE PIECE | 1-320551-2 |
| MILITARY P/N AND CLASS | STRIPE COLOR | 1 STAMPING | WIRE SIZE | QUANTITY | PACKAGE TYPE | PART NO |

**AMP INCORPORATED
CUSTOMER SERVICE SYSTEMS**

MAX RECOMMENDED OPERATING TEMPERATURE:
105°C[221°F]

VOLTAGE RATING: 300 V MAX

| WIRE RANGE: | CIRC MIL AREA: |
|-------------|-----------------------------|
| 22 | 0.38mm ² [754] |
| 20 | 0.60mm ² [1,186] |
| 18 | 0.96mm ² [1,900] |

STRANDED

FOR ADDITIONAL PRODUCT INFORMATION OR COPIES OF DRAWINGS AND TECHNICAL DOCUMENTS
PRODUCT INFORMATION CENTER
1-800-522-6752

FOR APPLICATION TOOLING ASSISTANCE CENTER
TOOLING INFORMATION
1-800-722-1111

FOR ORDER ENTRY
1-800-526-5142

THIS DRAWING IS A CONTROLLED DOCUMENT.

DWN DK SCHRUM 9/8/93

CHK RE HERSEY 9/8/93

APVD ML ELLIS 9/8/93

PRODUCT SPEC

APPLICATION SPEC

NOT AVAILABLE

WEIGHT -

CUSTOMER DRAWING

STE TE Connectivity Ltd.

NAME
TERMINAL, RING TONGUE, I.R.,
PIDG™ WIRE SIZE, 22-16 AWG

SIZE CAGE CODE DRAWING NO RESTRICTED TO

A3 00779 C-320551

SCALE NTS SHEET 2 OF 2 REV AA1

X-ON Electronics

Largest Supplier of Electrical and Electronic Components

Click to view similar products for [Terminals](#) category:

Click to view products by [TE Connectivity](#) manufacturer:

Other Similar products are found below :

[00-054007-01074-6](#) [00-054007-70206-1](#) [00-054007-70210-8](#) [00-054007-70217-7](#) [00-054007-70226-9](#) [00-054007-70228-3](#) [00-054007-70248-1](#) [00-054007-70256-6](#) [00-054007-70301-3](#) [00-054007-70316-7](#) [00-054007-49560-4](#) [00-054007-70209-2](#) [00-054007-70225-2](#) [00-054007-70227-6](#) [00-054007-70231-3](#) [00-054007-70241-2](#) [00-054007-70242-9](#) [00-054007-70244-3](#) [00-054007-70246-7](#) [00-054007-70263-4](#) [00-054007-70288-7](#) [00-054007-70290-0](#) [00-054007-70300-6](#) [00-054007-70304-4](#) [01-2065-1-0216](#) [01-2900-1-04412](#) [00581P0075](#) [600TS-10](#) [60205-1](#) [604200-1](#) [605601-1](#) [60598-1-CUT-TAPE](#) [61314-6-C](#) [61810-3](#) [61-S](#) [61-SN](#) [626-0194](#) [62-NBM-A](#) [62-SN](#) [62-SP](#) [63-S](#) [640179-1](#) [M55155/059I03](#) [M55155/079C01](#) [M55155/099H02](#) [M55155/109H01](#) [M55155/109H02](#) [M55155/12XH05](#) [M55155/16XH02](#) [M55155/29-5S](#)