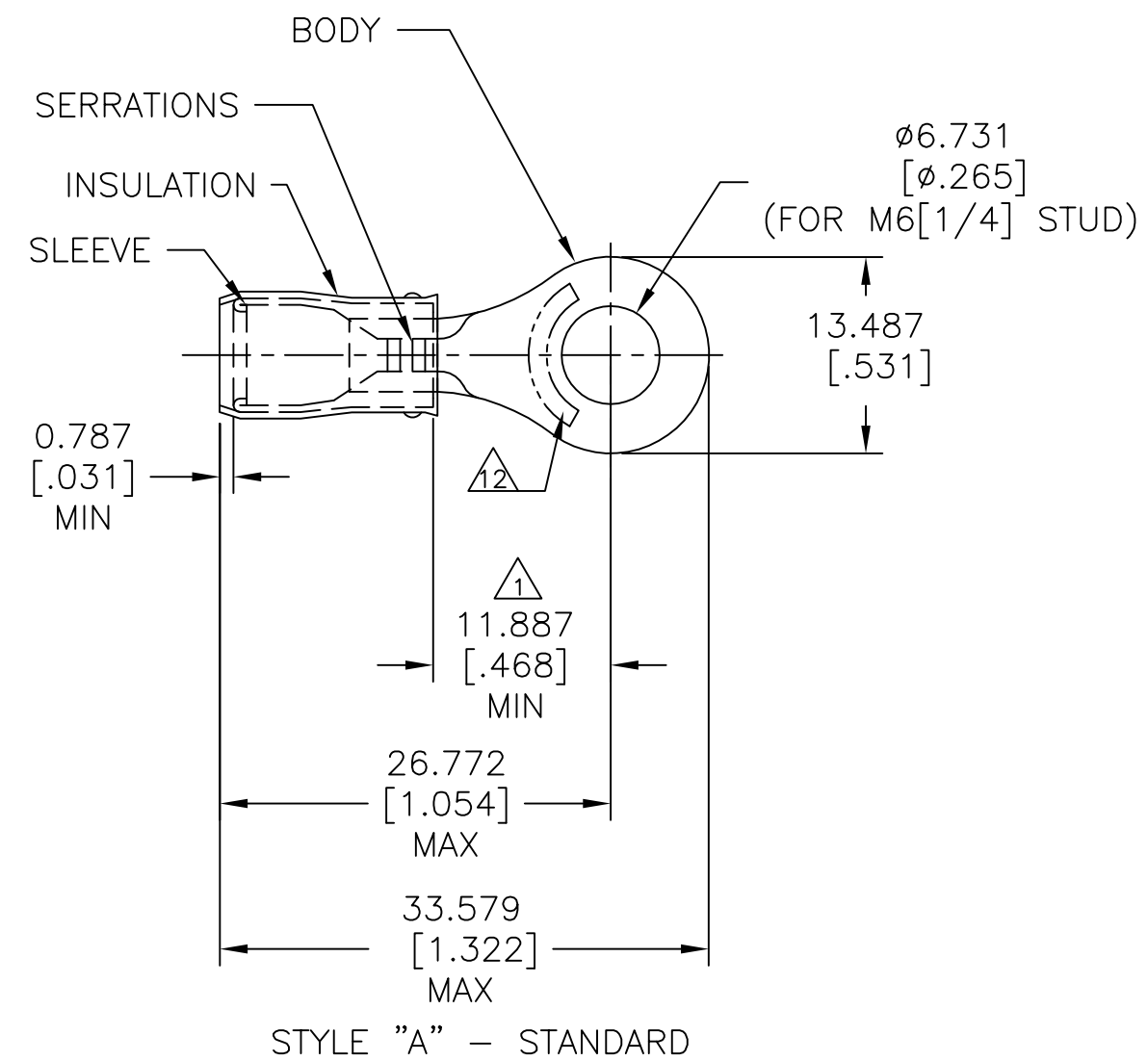


REVISIONS					
P	LTR	DESCRIPTION	DATE	DWN	APVD
	U	REVISED PER ECO-14-015277	21FEB2015	NK	DR
	U1	REVISED PER ECO-17-007400	19DEC2017	RS	DR

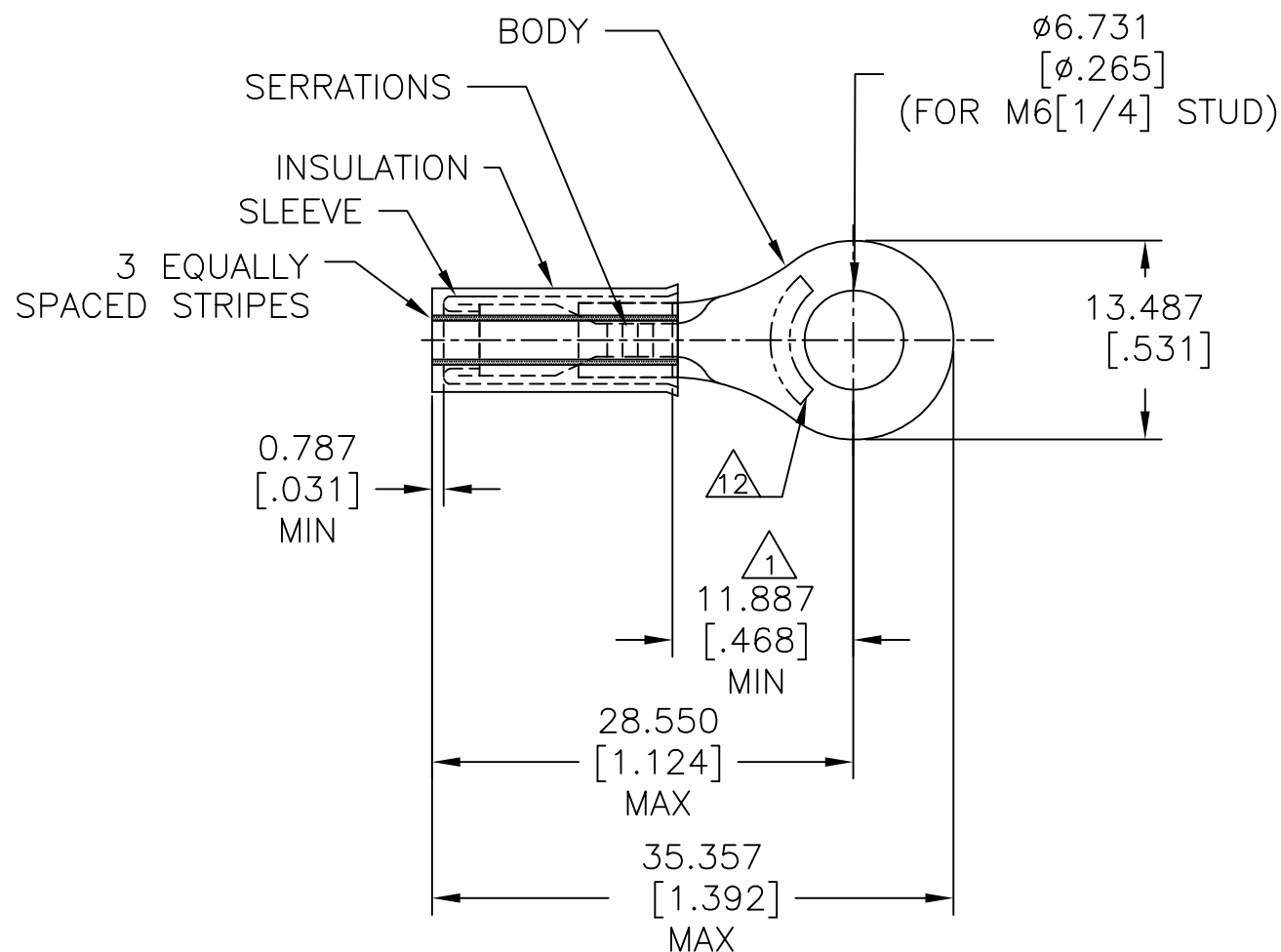


- 1 APPLIES FROM EDGE OF METAL WIRE BARREL TO CENTER OF STUD HOLE.
- 2 BODY MATERIAL THK 1.016±0.051 [.040±.002]
- 3 105°C[221°F] MAX OPERATING TEMPERATURE
- 4 300 VOLT MAX.
- 5 CIRCULAR MIN AREA: 2.62-6.64 mm<sup>2</sup> [5180-13100] SOLID OR STRANDED.
- 6 UL LISTED E13288 12-10 AWG SOLID OR STRANDED.
- 7 CSA CERTIFIED LR7189 12-10 AWG SOLID OR STRANDED.
- 8 MILITARY MS25036-157 CLASS 1.
- 9 MILITARY MS25036-157 CLASS 2.
- 10 MATERIAL:  
BODY & SLEEVE: COPPER PER ASTM B-152  
INSULATION: NYLON PER ASTM D-4066, TYPE 1.
- 11 FINISH:  
BODY & SLEEVE: TIN PLATE PER ASTM B-545  
INSULATION: COLOR-YELLOW.
- 12 STAMP AMP SEE TABLE, APPROX AS SHOWN.

QTY	COLOR STRIPE	WIRE SIZE	FOR WIRE INSULATION OD	STAMP	STYLE	PACKAGING	PART NO.
2500	NONE	12-10	3.810-5.842 [.150-.230]	AMP 12-10*	"A"	ON TAPE	2-320569-3
500	NONE	12-10	3.810-5.842 [.150-.230]	AMP 12-10*	"A"	LOOSE PIECE	320569

THIS DRAWING IS A CONTROLLED DOCUMENT.		DWN RAGHAVENDRA 08SEP2008	TE Connectivity		
		CHK T MICHIELUTTI 08SEP2008			
DIMENSIONS: mm [INCHES]		APVD T MICHIELUTTI 08SEP2008	NAME		
TOLERANCES UNLESS OTHERWISE SPECIFIED:		PRODUCT SPEC		TERMINAL	
0 PLC ± -		UL 486 A-B		RING TONGUE, NYLON, PIDG,	
1 PLC ± -		APPLICATION SPEC		WIRE SIZE: 12-10 AWG	
2 PLC ± -		114-2157		SIZE	CAGE CODE
3 PLC ± 0.127[.005]		WEIGHT		DRAWING NO	
4 PLC ± -		-		A3 00779 C=320569	
ANGLES ± 0°30'		FINISH		RESTRICTED TO	
				-	
CUSTOMER DRAWING			SCALE	SHEET	REV
			2:1	1 OF 2	U1

P	LTR	DESCRIPTION	DATE	DWN	APVD
-	-	SEE SHEET 1	-	-	-



STYLE "B" – INSULATION RESTRICTING

500	BROWN	10	3.023–5.080 [.119–.200]	AMP 10*	"B"	LOOSE PIECE	2-320569-6
500	YELLOW	12	2.413–5.080 [.095–.200]	AMP 12*	"B"	LOOSE PIECE	2-320569-5
QTY	COLOR STRIPE	WIRE SIZE	FOR WIRE INSULATION OD	STAMP	STYLE	PACKAGING	PART NO.

THIS DRAWING IS A CONTROLLED DOCUMENT.

DIMENSIONS:	TOLERANCES UNLESS OTHERWISE SPECIFIED:
mm [INCHES]	
	0 PLC ± -
	1 PLC ± -
	2 PLC ± -
	3 PLC ± 0.127[.005]
	4 PLC ± -
ANGLES	± 0°30'

MATERIAL	FINISH

DWN	08SEP2008
RAGHAVENDRA	
CHK	08SEP2008
T MICHIELUTTI	
APVD	08SEP2008
T MICHIELUTTI	
PRODUCT SPEC	
APPLICATION SPEC	
114-2157	
WEIGHT	-
CUSTOMER DRAWING	

TE Connectivity			
NAME			
TERMINAL			
RING TONGUE, NYLON, PIDG, IR,			
WIRE SIZE: 12 & 10 AWG			
SIZE	CAGE CODE	DRAWING NO	RESTRICTED TO
A3	00779	C=320569	-
SCALE		SHEET	REV
2:1		2 OF 2	U1

## X-ON Electronics

Largest Supplier of Electrical and Electronic Components

*Click to view similar products for [Terminals](#) category:*

*Click to view products by [TE Connectivity](#) manufacturer:*

Other Similar products are found below :

[00-054007-01074-6](#) [00-054007-70206-1](#) [00-054007-70210-8](#) [00-054007-70217-7](#) [00-054007-70226-9](#) [00-054007-70228-3](#) [00-054007-70248-1](#) [00-054007-70256-6](#) [00-054007-70301-3](#) [00-054007-70316-7](#) [00-054007-49560-4](#) [00-054007-70209-2](#) [00-054007-70225-2](#) [00-054007-70227-6](#) [00-054007-70231-3](#) [00-054007-70241-2](#) [00-054007-70242-9](#) [00-054007-70244-3](#) [00-054007-70246-7](#) [00-054007-70263-4](#) [00-054007-70288-7](#) [00-054007-70290-0](#) [00-054007-70300-6](#) [00-054007-70304-4](#) [01-2065-1-0216](#) [01-2900-1-04412](#) [00581P0075](#) [600TS-10](#) [60205-1](#) [604200-1](#) [605601-1](#) [60598-1-CUT-TAPE](#) [61314-6-C](#) [61810-3](#) [61-S](#) [61-SN](#) [626-0194](#) [62-NBM-A](#) [62-SN](#) [62-SP](#) [63-S](#) [640179-1](#) [M55155/059I03](#) [M55155/079C01](#) [M55155/099H02](#) [M55155/109H01](#) [M55155/109H02](#) [M55155/12XH05](#) [M55155/16XH02](#) [M55155/29-5S](#)