

TERMINAL,PIDG PVF2 R 12-10 6 ✓ ACTIVE



PIDG

TE Part # 53423-1

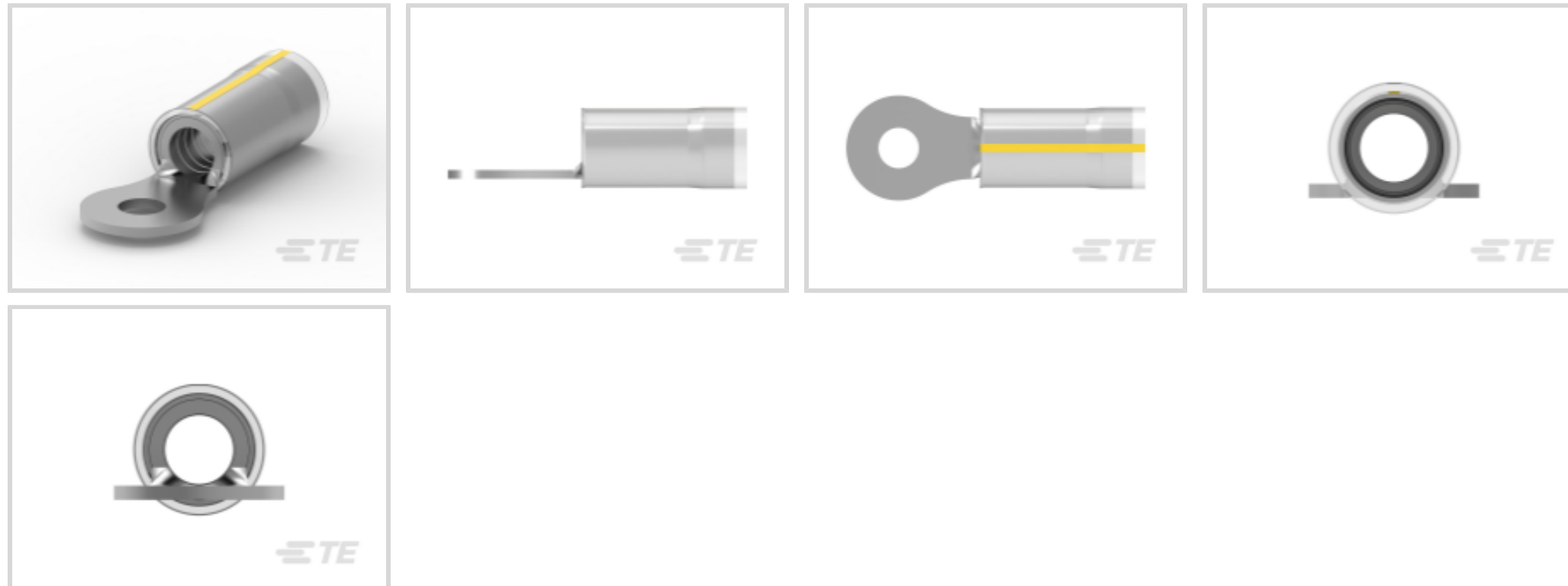
TE Internal #: 53423-1

Mil-Spec: [M7928/13-111, M7928/4-111]

PIDG RADIATION REST/150 C RINGS/SPADES

[View on TE.com >](#)

Terminals & Splices > Rings & Spades > PIDG RADIATION REST/150 C RINGS/SPADES



Terminal & Splice Type: **Ring Tongue**

Wire Size: **5180 – 13100 CMA**

Stud Size: **#6, M3.5**

[All PIDG RADIATION REST/150 C RINGS/SPADES \(41\)](#)

Features

Product Type Features

Stud Size	#6, M3.5
Barrel Type	Closed Barrel
Sealable	No
Insulated	Yes
Wire/Cable Type	Copper
Support Style	Insulation Support

Configuration Features

Number of Holes	1
Terminal Angle	Straight

Body Features

Insulation Sleeve Color	Natural
Stripe Color	Yellow
Plating Material	Tin-Lead

Contact Features



Military Part Class	Class I
Terminal & Splice Type	Ring Tongue
Terminal Orientation	Offset

Mechanical Attachment

Wire Insulation Support	With
-------------------------	------

Dimensions

Wire Size	5180 – 13100 CMA
Stud Diameter	3.68 mm[.145 in]
Tongue Thickness	1.07 mm[.042 in]
Overall Length	27.5 mm[1.083 in]
Wire Insulation Diameter	3.81 – 5.84 mm[.15 – .23 in]

Usage Conditions

Operating Temperature Range	150 °C[302 °F]
-----------------------------	----------------

Operation/Application

Heavy Duty	No
------------	----

Industry Standards

Government Qualified	Yes
----------------------	-----

Packaging Features

Packaging Quantity	500
Packaging Method	Loose Piece

Other

Comment	Brazed Body
---------	-------------

Product Compliance

[For compliance documentation, visit the product page on TE.com>](#)

EU RoHS Directive 2011/65/EU	Not Compliant
EU ELV Directive 2000/53/EC	Not Compliant
China RoHS 2 Directive MIIT Order No 32, 2016	Restricted Materials Above Threshold
EU REACH Regulation (EC) No. 1907/2006	Current ECHA Candidate List: JAN 2019 (197) Candidate List Declared Against: JUN 2016 (169)
Halogen Content	Not Yet Reviewed for halogen content

Solder Process Capability

Not applicable for solder process capability

Product Compliance Disclaimer

This information is provided based on reasonable inquiry of our suppliers and represents our current actual knowledge based on the information they provided. This information is subject to change. The part numbers that TE has identified as EU RoHS compliant have a maximum concentration of 0.1% by weight in homogenous materials for lead, hexavalent chromium, mercury, PBB, PBDE, DBP, BBP, DEHP, DIBP, and 0.01% for cadmium, or qualify for an exemption to these limits as defined in the Annexes of Directive 2011/65/EU (RoHS2). Finished electrical and electronic equipment products will be CE marked as required by Directive 2011/65/EU. Components may not be CE marked. Additionally, the part numbers that TE has identified as EU ELV compliant have a maximum concentration of 0.1% by weight in homogenous materials for lead, hexavalent chromium, and mercury, and 0.01% for cadmium, or qualify for an exemption to these limits as defined in the Annexes of Directive 2000/53/EC (ELV). Regarding the REACH Regulations, TE's information on SVHC in articles for this part number is still based on the European Chemical Agency (ECHA) 'Guidance on requirements for substances in articles'(Version: 2, April 2011), applying the 0.1% weight on weight concentration threshold at the finished product level. TE is aware of the European Court of Justice ruling of September 10th, 2015 also known as O5A (Once An Article Always An Article) stating that, in case of 'complex object', the threshold for a SVHC must be applied to both the product as a whole and simultaneously to each of the articles forming part of its composition. TE has evaluated this ruling based on the new ECHA "Guidance on requirements for substances in articles" (June 2017, version 4.0) and will be updating its statements accordingly.

Compatible Parts



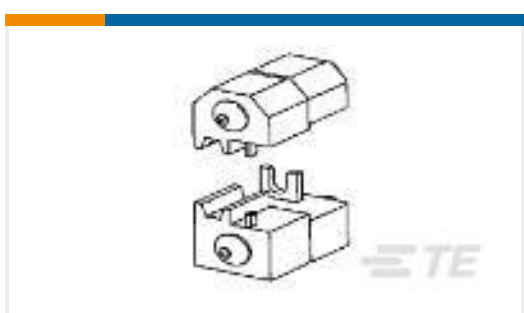
TE Part # 2063030-1
SDE DIESET, RBV, UL



TE Part # 59824-1
TETRA-CRIMP HT ASSY



TE Part # 59239-4
HHHT PIDG 12-10



TE Part # 47808-6
DIE PIDG 69365 12-10



TE Part # 58423-1
DIE, RBV IS9252



TE Part # 58433-3
PRO CR ASSY, RBV IS9252



TE Part # 539691-2
ERGO DIE R.B.Y

Also in the Series | PIDG



Crimp Terminal Housings
(1)



Crimp Wire Pins, Tabs &
Ferrules(41)



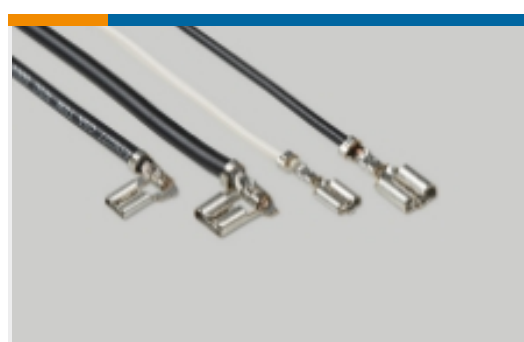
Knife Disconnects(11)



PCB Terminals(9)



Portable Crimp Tools(1)



Quick Disconnects(53)



Rings & Spades(868)



Special Purpose Terminals
(1)



Splices(48)

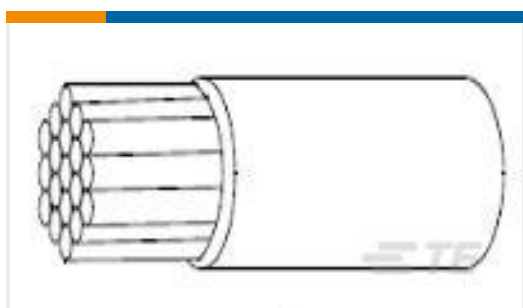
Customers Also Bought



TE Part #179544-000
D-181-2222-90/9



TE Part #12333-20
CONT SOC ASSY



TE Part #216368-001
22759/33-26-9



TE Part #DTS26W09-98SA
PLUG ASSY



TE Part #DTS26W23-55PN
PLUG ASSY



TE Part #DTS26W23-55SN
PLUG ASSY

Documents

Product Drawings

[TERMINAL,PIDG PVF2 R 12-10 6](#)

English

CAD Files

[3D PDF](#)

[3D](#)

[Customer View Model](#)

[ENG_CVM_CVM_53423-1_K.2d_dxf.zip](#)



English

Customer View Model

[ENG_CVM_CVM_53423-1_K.3d_igs.zip](#)

English

Customer View Model

[ENG_CVM_CVM_53423-1_K.3d_stp.zip](#)

English

Datasheets & Catalog Pages

[RADIATION_RESISTANT_PRE-INSULATED_TERMINALS_SPLICES](#)

English

X-ON Electronics

Largest Supplier of Electrical and Electronic Components

Click to view similar products for [Terminals](#) category:

Click to view products by [TE Connectivity](#) manufacturer:

Other Similar products are found below :

[00-054007-01074-6](#) [00-054007-70206-1](#) [00-054007-70210-8](#) [00-054007-70217-7](#) [00-054007-70226-9](#) [00-054007-70228-3](#) [00-054007-70248-1](#) [00-054007-70256-6](#) [00-054007-70301-3](#) [00-054007-70316-7](#) [00-054007-49560-4](#) [00-054007-70209-2](#) [00-054007-70225-2](#) [00-054007-70227-6](#) [00-054007-70231-3](#) [00-054007-70241-2](#) [00-054007-70242-9](#) [00-054007-70244-3](#) [00-054007-70246-7](#) [00-054007-70263-4](#) [00-054007-70288-7](#) [00-054007-70290-0](#) [00-054007-70300-6](#) [00-054007-70304-4](#) [01-2065-1-0216](#) [01-2900-1-04412](#) [00581P0075](#) [600TS-10](#) [60205-1](#) [604200-1](#) [605601-1](#) [60598-1-CUT-TAPE](#) [61314-6-C](#) [61810-3](#) [61-S](#) [61-SN](#) [626-0194](#) [62-NBM-A](#) [62-SN](#) [62-SP](#) [63-S](#) [640179-1](#) [M55155/059I03](#) [M55155/079C01](#) [M55155/099H02](#) [M55155/109H01](#) [M55155/109H02](#) [M55155/12XH05](#) [M55155/16XH02](#) [M55155/29-5S](#)