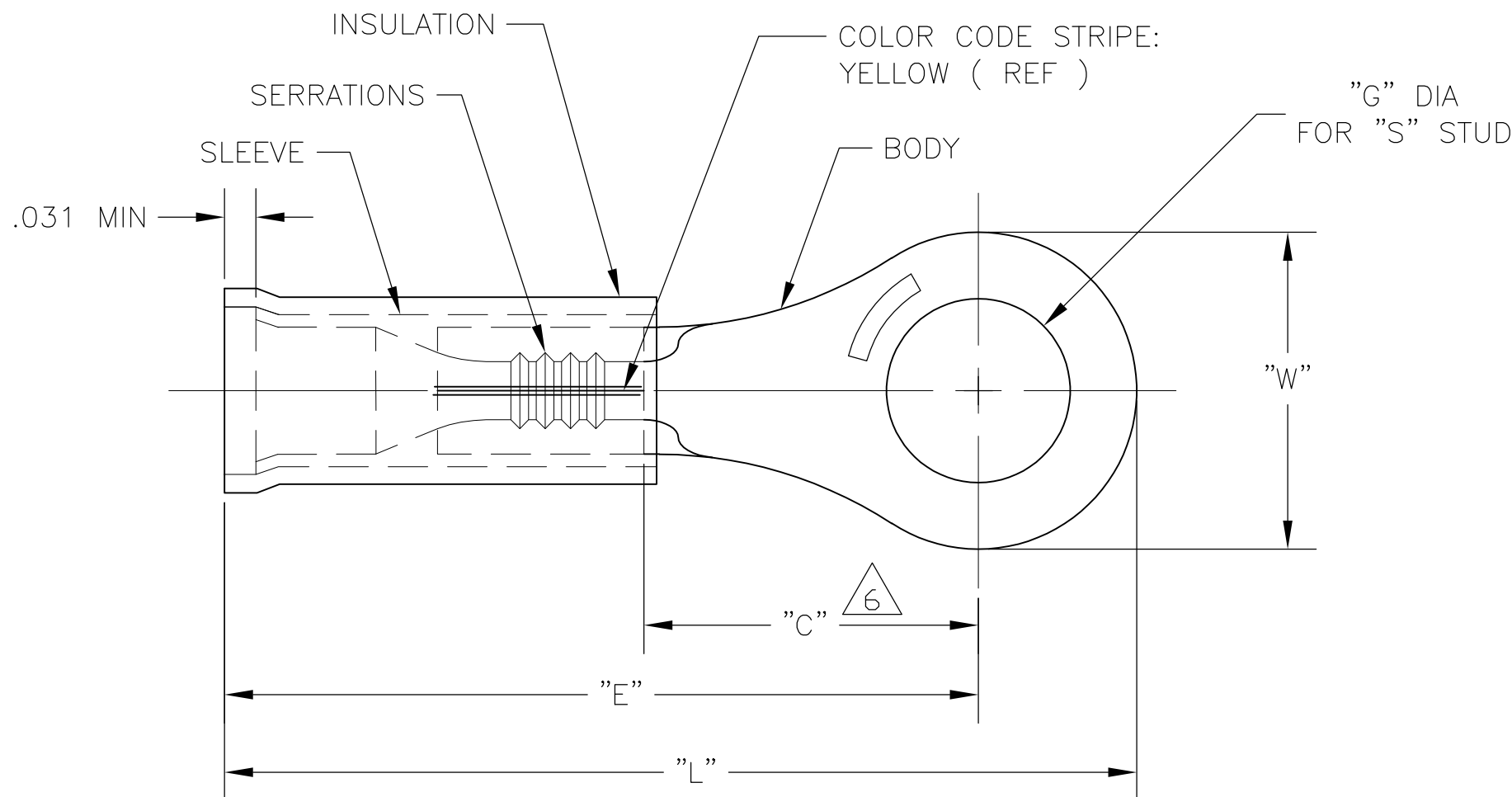


THIS DRAWING IS UNPUBLISHED. RELEASED FOR PUBLICATION
 © COPYRIGHT BY TYCO ELECTRONICS CORPORATION. ALL RIGHTS RESERVED.

LOC	DIST	REVISIONS					
G	37	P	LTR	DESCRIPTION	DATE	DWN	APVD
			A3	REV PER ECR 07-016469	17JULY07	JR	TM



1 MUST BE CRIMPED WITH A 22-18 OR 22-16 P.I.D.G. (RED) TOOL.

2 WIRE INSULATION DIA .032-.082

3 TONGUE MATERIAL THK: .027±.002

4 BODY & SLEEVE: TIN PLATE PER ASTM B545.

5 MATERIAL: BODY & SLEEVE: CU PER ASTM B152 INSULATION: PVF2, COLOR - NATURAL

6 APPLIES FROM EDGE OF METAL WIRE BARREL TO CENTER OF STUD HOLE.

7 150°C MAX OPERATING TEMP

8 CMA RANGE IS 202-509

MILITARY P/N & CLASS	"W"	"C"	"E"	"G"	"S"	"L"	QTY	PACKAGE TYPE	PART NO.
M7928/4-143 CLASS 2	.203	.211 MIN	.632 MAX	.093±.003	#2	.741 MAX	1000	LOOSE PIECE	696420-1
M7928/4-144 CLASS 2	.203	.211 MIN	.632 MAX	.119±.003	#4	.741 MAX	1000	LOOSE PIECE	696420-2
M7928/4-145 CLASS 2	.250	.243 MIN	.664 MAX	.145±.003	#6	.797 MAX	1000	LOOSE PIECE	696420-3
M7928/4-146 CLASS 2	.281	.250 MIN	.671 MAX	.171±.003	#8	.819 MAX	1000	LOOSE PIECE	696420-5
M7928/4-147 CLASS 2	.312	.281 MIN	.702 MAX	.197±.003	#10	.866 MAX	1000	LOOSE PIECE	696420-6

THIS DRAWING IS A CONTROLLED DOCUMENT.		DWN	JR RUTH	29JUN05	Tyco Electronics Corporation Harrisburg, Pa 17105-3608	
DIMENSIONS: INCHES		CHK	T MICHIELUTTI	29JUN05		
TOLERANCES UNLESS OTHERWISE SPECIFIED:		APVD	T MICHIELUTTI	29JUN05	NAME	
0 PLC ± - 1 PLC ± - 2 PLC ± - 3 PLC ± - 4 PLC ± - ANGLES ± - FINISH		PRODUCT SPEC		TERMINAL, PVF2, RING TONGUE, PIDG, WIRE SIZE: 26-24 AWG		
MATERIAL - 5		APPLICATION SPEC		RESTRICTED TO		
- 4		WEIGHT -		SIZE	CAGE CODE	DRAWING NO
		CUSTOMER DRAWING		A3	00779	C-696420
		SCALE		8:1	SHEET	1 OF 1
				REV		A3

X-ON Electronics

Largest Supplier of Electrical and Electronic Components

Click to view similar products for [Terminals](#) category:

Click to view products by [TE Connectivity](#) manufacturer:

Other Similar products are found below :

[00-054007-01074-6](#) [00-054007-70206-1](#) [00-054007-70210-8](#) [00-054007-70217-7](#) [00-054007-70226-9](#) [00-054007-70228-3](#) [00-054007-70248-1](#) [00-054007-70256-6](#) [00-054007-70301-3](#) [00-054007-70316-7](#) [00-054007-49560-4](#) [00-054007-70209-2](#) [00-054007-70225-2](#) [00-054007-70227-6](#) [00-054007-70231-3](#) [00-054007-70241-2](#) [00-054007-70242-9](#) [00-054007-70244-3](#) [00-054007-70246-7](#) [00-054007-70263-4](#) [00-054007-70288-7](#) [00-054007-70290-0](#) [00-054007-70300-6](#) [00-054007-70304-4](#) [01-2065-1-0216](#) [01-2900-1-04412](#) [00581P0075](#) [600TS-10](#) [60205-1](#) [604200-1](#) [605601-1](#) [60598-1-CUT-TAPE](#) [61314-6-C](#) [61810-3](#) [61-S](#) [61-SN](#) [626-0194](#) [62-NBM-A](#) [62-SN](#) [62-SP](#) [63-S](#) [640179-1](#) [M55155/059I03](#) [M55155/079C01](#) [M55155/099H02](#) [M55155/109H01](#) [M55155/109H02](#) [M55155/12XH05](#) [M55155/16XH02](#) [M55155/29-5S](#)