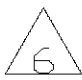
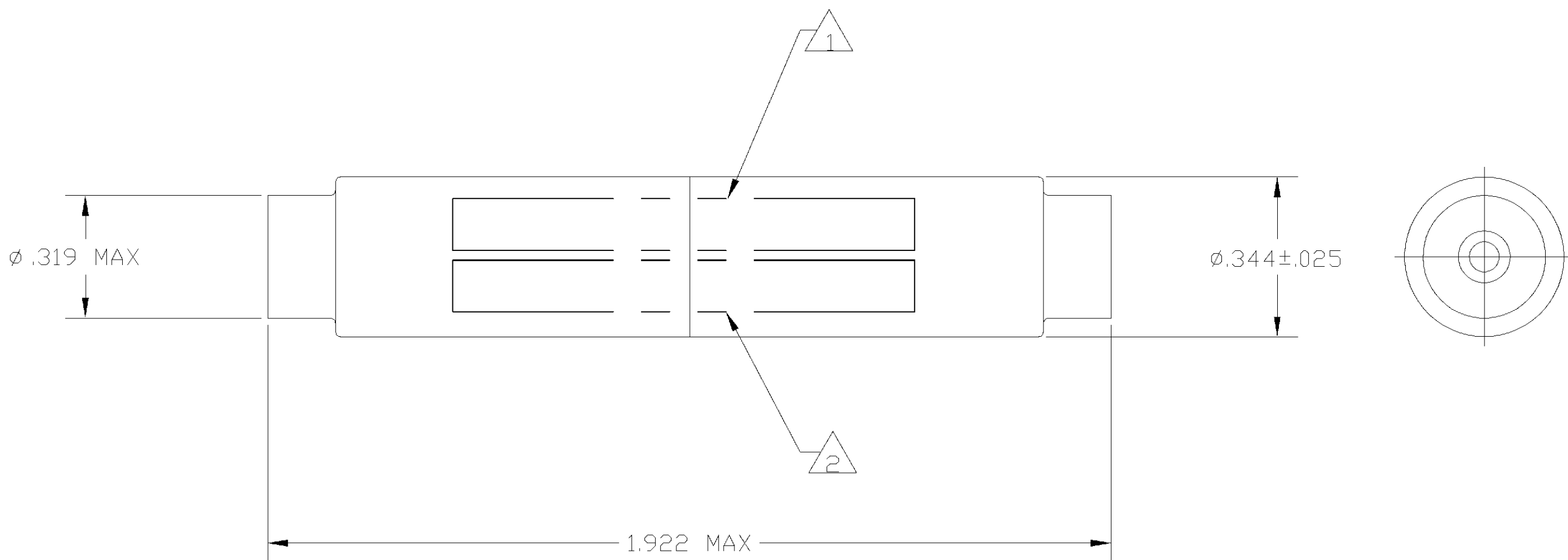
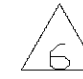

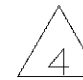


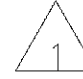





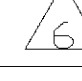
THIS DRAWING IS UNPUBLISHED. RELEASED FOR PUBLICATION
 © COPYRIGHT BY TYCO ELECTRONICS CORPORATION. ALL RIGHTS RESERVED.

LDC		DIST		REVISIONS			
P	LTR	DESCRIPTION	DATE	DWN	APVD		
B		REV PER OG3D-0083-01	07NOV01	MB	DM		

DESCRIPTION	MATERIAL	FINISH
GROMMET	FLUOROSILICONE 40/50 BLEND PER MIL-R-25988	COLOR: BLUE
SPLICE ASSEMBLY HOUSING	EPOXY	COLOR: BLACK
CONTACT FEMALE SOCKET	BERYLLIUM COPPER PER QQ-C-533	GOLD PLATE PER MIL-G-45204
CLIP CONTACT RETAINING	BERYLLIUM COPPER PER QQ-C-533 OR STAINLESS STEEL PER QQ-S-766	NONE
TUBE SHRINK	PER MIL-1-23053/8	COLOR TRANSPARENT
CONTACTS 	COPPER ALLOY PER QQ-B-750	GOLD PLATE PER MIL-G-45204




-  A QUANTITY OF 2 CONTACTS ARE SUPPLIED WITH WIRE SPLICE.
-  PART NO. 592583-4 IS MARKED WITH MILITARY PART NO. M81714/11-22D. .060 MINIMUM HIGH CHARACTERS AT APPROXIMATE AREA SHOWN.
-  PART NO. 592583-3 IS MARKED WITH MILITARY PART NO. M81714/11-20D. .060 MINIMUM HIGH CHARACTERS AT APPROXIMATE AREA SHOWN.
-  PART NO. 592583-2 IS MARKED WITH MILITARY PART NO. M81714/11-16D. .060 MINIMUM HIGH CHARACTERS AT APPROXIMATE AREA SHOWN.
-  PART NO. 592583-1 IS MARKED WITH MILITARY PART NO. M81714/11-12D. .060 MINIMUM HIGH CHARACTERS AT APPROXIMATE AREA SHOWN.
-  MARK WIRE SPLICE WITH "AMP", AMP PART NO. AND DATE CODE. .060 MINIMUM HIGH CHARACTERS AT APPROXIMATE AREA SHOWN.

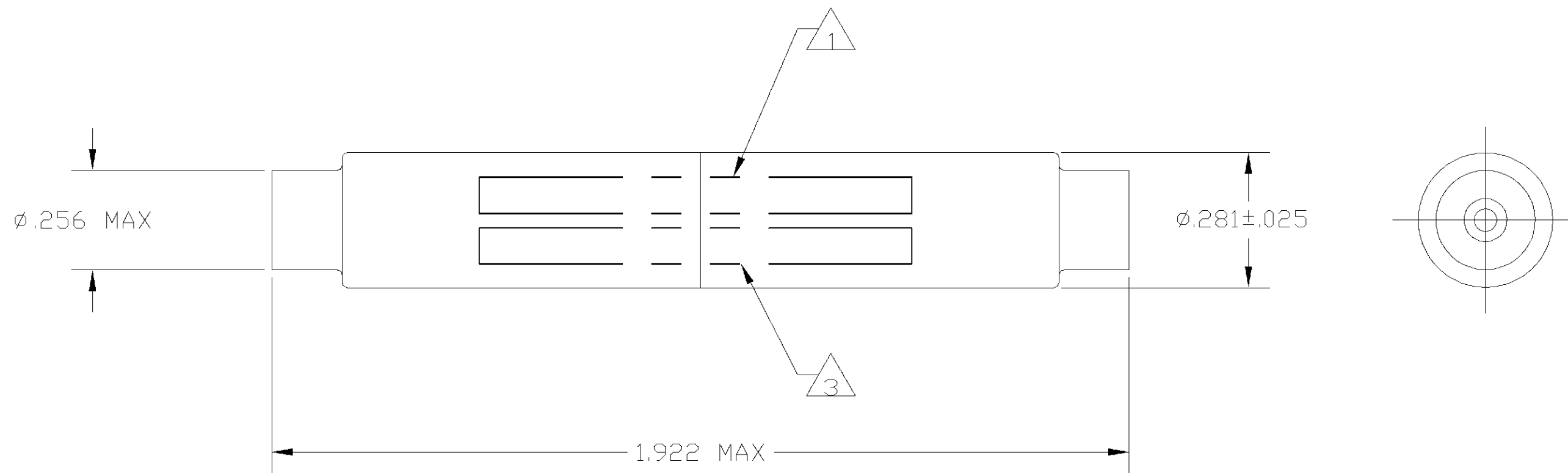
REMARKS	DESCRIPTION	PART NO.
	SIZE 20/22	592583-7
—	SIZE 20/22	592583-6
—	SIZE 16	592583-5
SUPERSEDED BY -7	SIZE 20/22	592583-4
	SIZE 20/22	592583-3
	SIZE 16	592583-2
	SIZE 12	592583-1

THIS DRAWING IS A CONTROLLED DOCUMENT.		DWN J. MECK 04-10-93	AMP Tyco Electronics Corporation Harrisburg, PA 17105		
DIMENSIONS: INCHES		CHK R. RYAN 05-12-93			
TOLERANCES UNLESS OTHERWISE SPECIFIED:		APVD R. RYAN 05-12-93	NAME WIRE SPLICE, SINGLE SIZE 12, 20/22 ASSEMBLY TJ		
0 PLC ± - 1 PLC ± - 2 PLC ± .02 3 PLC ± - 4 PLC ± - ANGLES ± -		PRODUCT SPEC — APPLICATION SPEC —	SIZE A2	CAGE CODE 00779	DRAWING NO C-592583
MATERIAL —		FINISH —	WEIGHT —	RESTRICTED TO —	
CUSTOMER DRAWING			SCALE 4: 1	SHEET 1 OF 3	REV B

THIS DRAWING IS UNPUBLISHED. RELEASED FOR PUBLICATION
 © COPYRIGHT BY TYCO ELECTRONICS CORPORATION. ALL RIGHTS RESERVED.

LDC		DIST		REVISIONS			
P	LTR	DESCRIPTION	DATE	DWN	APVD		
-	-	SEE SHEET 1	-	-	-		


DESCRIPTION	MATERIAL	FINISH
GROMMET	FLUOROSILICONE 40/50 BLEND PER MIL-R-25988	COLOR: BLUE
SPLICE ASSEMBLY HOUSING	EPOXY	COLOR: BLACK
CONTACT FEMALE SOCKET	BERYLLIUM COPPER PER QQ-C-533	GOLD PLATE PER MIL-G-45204
CLIP CONTACT RETAINING	BERYLLIUM COPPER PER QQ-C-533 OR STAINLESS STEEL PER QQ-S-766	NONE
TUBE SHRINK	PER MIL-1-23053/8	COLOR TRANSPARENT
CONTACTS 	COPPER ALLOY PER QQ-B-750	GOLD PLATE PER MIL-G-45204

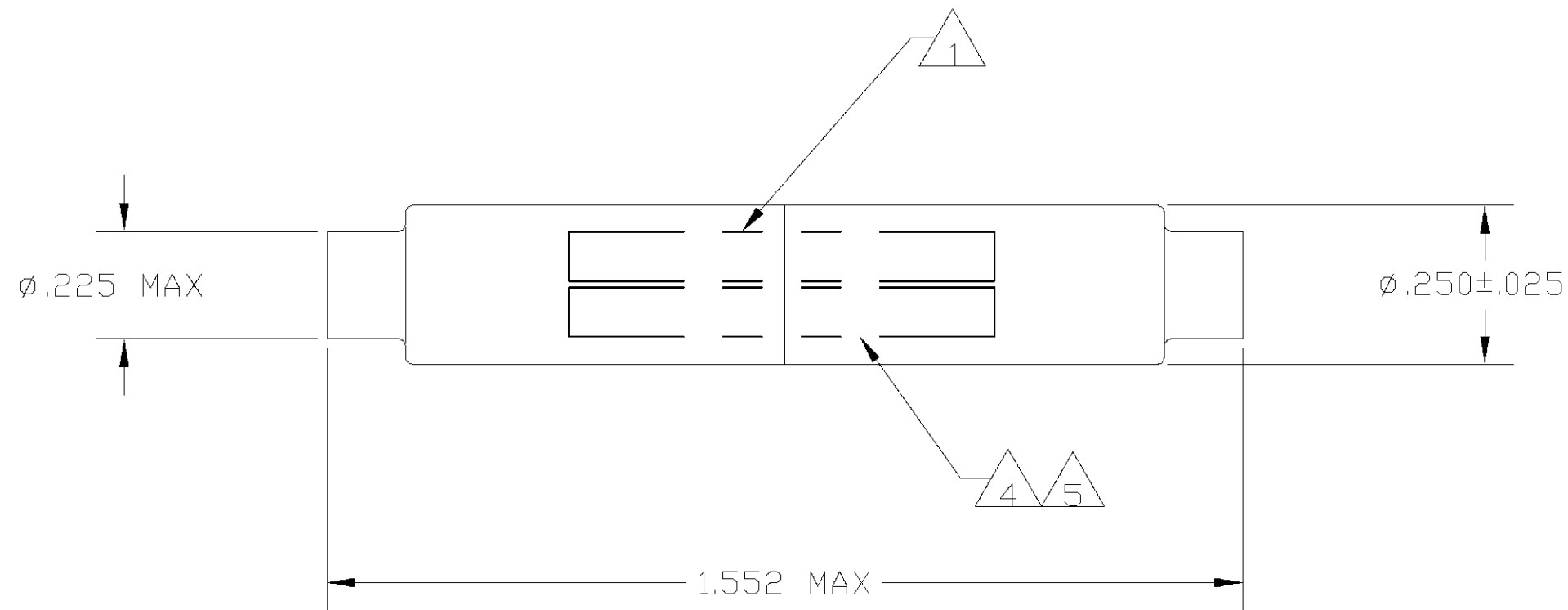



THIS DRAWING IS A CONTROLLED DOCUMENT.		DWN J. MECK 04-10-93	AMP Tyco Electronics Corporation Harrisburg, PA 17105	
DIMENSIONS: INCHES		CHK R. RYAN 05-12-93	NAME WIRE SPLICE, SINGLE SIZE 12, 20/22 ASSEMBLY TJ	
TOLERANCES UNLESS OTHERWISE SPECIFIED:		APVD R. RYAN 05-12-93	SIZE A2	CAGE CODE 00779
0 PLC ± - 1 PLC ± - 2 PLC ± .02 3 PLC ± - 4 PLC ± - ANGLES ± -		PRODUCT SPEC -	DRAWING NO C-592583	RESTRICTED TO -
MATERIAL -		FINISH -	WEIGHT -	SCALE 4:1
CUSTOMER DRAWING			SHEET 2	DF 3
			REV B	

THIS DRAWING IS UNPUBLISHED. RELEASED FOR PUBLICATION
 © COPYRIGHT BY TYCO ELECTRONICS CORPORATION. ALL RIGHTS RESERVED.

LOC	DIST	REVISIONS					
DF	AO	P	LTR	DESCRIPTION	DATE	DWN	APVD
		-		SEE SHEET 1	-	-	-

DESCRIPTION	MATERIAL	FINISH
GROMMET	FLUOROSILICONE 40/50 BLEND PER MIL-R-25988	COLOR: BLUE
SPLICE ASSEMBLY HOUSING	EPOXY	COLOR: BLACK
CONTACT FEMALE SOCKET	BERYLLIUM COPPER PER QQ-C-533	GOLD PLATE PER MIL-G-45204
CLIP CONTACT RETAINING	BERYLLIUM COPPER PER QQ-C-533 OR STAINLESS STEEL PER QQ-S-766	NONE
TUBE SHRINK	PER MIL-1-23053/8	COLOR TRANSPARENT
CONTACTS 	COPPER ALLOY PER QQ-B-750	GOLD PLATE PER MIL-G-45204



THIS DRAWING IS A CONTROLLED DOCUMENT.		DWN	J. MECK	04-10-93	 Tyco Electronics Corporation Harrisburg, PA 17105			
DIMENSIONS: INCHES		CHK	R. RYAN	05-12-93				
TOLERANCES UNLESS OTHERWISE SPECIFIED:		APVD	R. RYAN	05-12-93				
0 PLC ± - 1 PLC ± - 2 PLC ± .02 3 PLC ± - 4 PLC ± - ANGLES ± -		PRODUCT SPEC	-					
MATERIAL	FINISH	WEIGHT	-		NAME	WIRE SPLICE, SINGLE SIZE 12, 20/22 ASSEMBLY TJ		
-		-		SIZE		CAGE CODE	DRAWING NO	RESTRICTED TO
-		-		A2		00779	C-592583	-
CUSTOMER DRAWING				SCALE	4: 1	SHEET	3 OF 3	REV
-				B				

X-ON Electronics

Largest Supplier of Electrical and Electronic Components

Click to view similar products for [In-Line Junction Modules](#) category:

Click to view products by [TE Connectivity](#) manufacturer:

Other Similar products are found below :

[00111975102](#) [6131-202-1358P](#) [6131-207-1158P](#) [6131-207-1558P](#) [6131-207-1758P](#) [6131-209-2558P](#) [6131-217-1758P](#) [6131-258-1958P](#)
[6131-261-2358P](#) [6131-264-1358P](#) [6134-209-19149](#) [87.200.2201.3](#) [87.210.2204.3](#) [87.210.2211.3](#) [88083-10-6PN-L/C](#) [88083-10-6SN-LC](#)
[88083-16-26SN-LC](#) [88083-16-8PN-LC](#) [S53209NR051](#) [TJSE20535](#) [TJSE20551](#) [TJSE20706](#) [YCTJ920E12NC098000](#) [6131-202-2358P](#) [6131-](#)
[205-2558P](#) [6131-208-2558P](#) [6131-258-2158P](#) [E162N2N0506R](#) [C81311N21](#) [87.200.2205.3](#) [A06C4L](#) [YCTJ920E06NC098000](#) [TJSE20128](#)
[TJSE20602](#) [TJSE22517](#) [TJSE22707](#) [TJSE20829](#) [TJSE20559](#) [YCTL-12V0030000000](#) [YCTN20D0003V003000](#) [TJSE22839](#) [TJSE22708](#)
[TJSE22705](#) [S280W555700](#) [TJSE20525](#) [M81714/11-16D](#) [TJSE20137](#) [CTL-12](#) [TJSE20707](#) [45-2065](#)