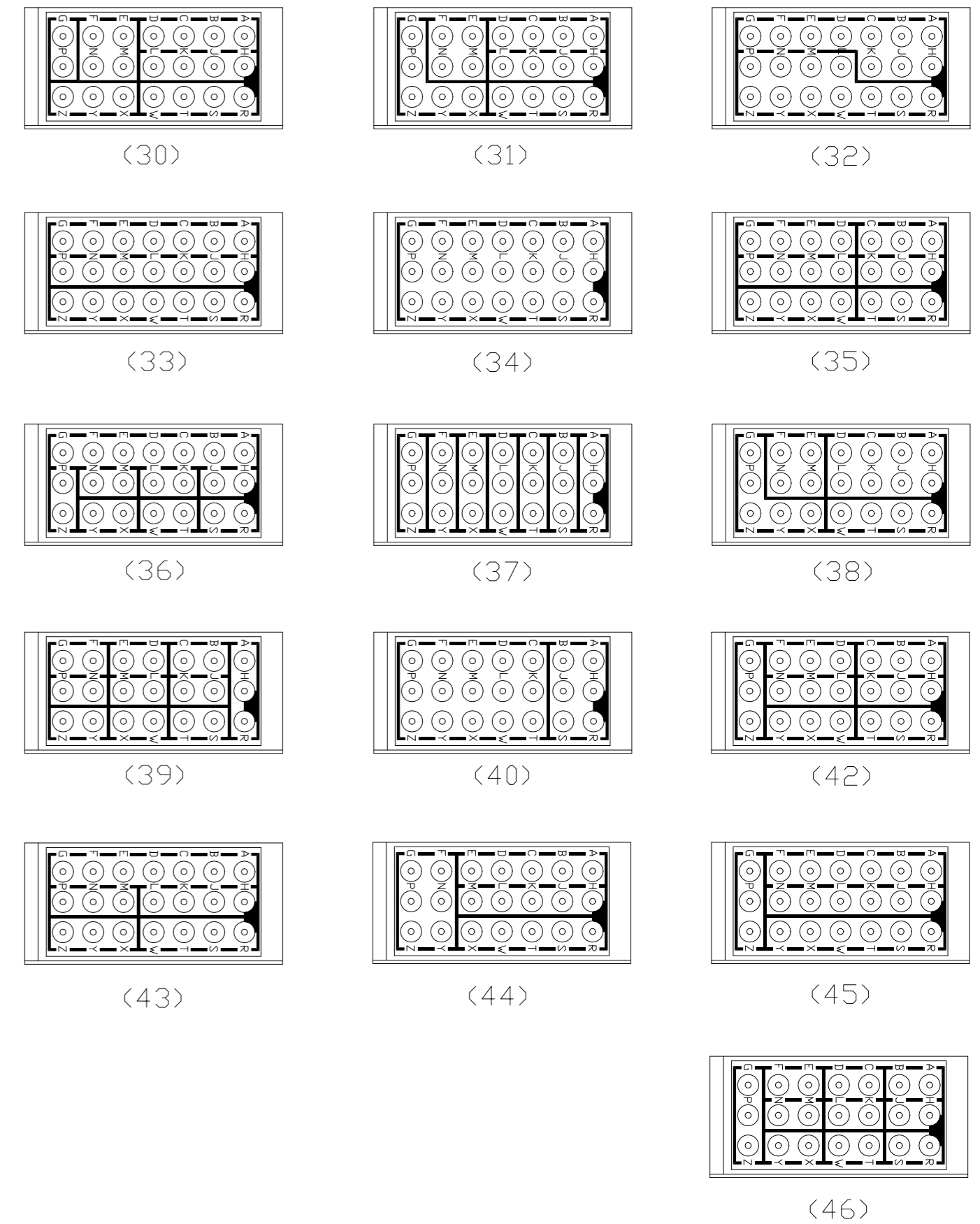
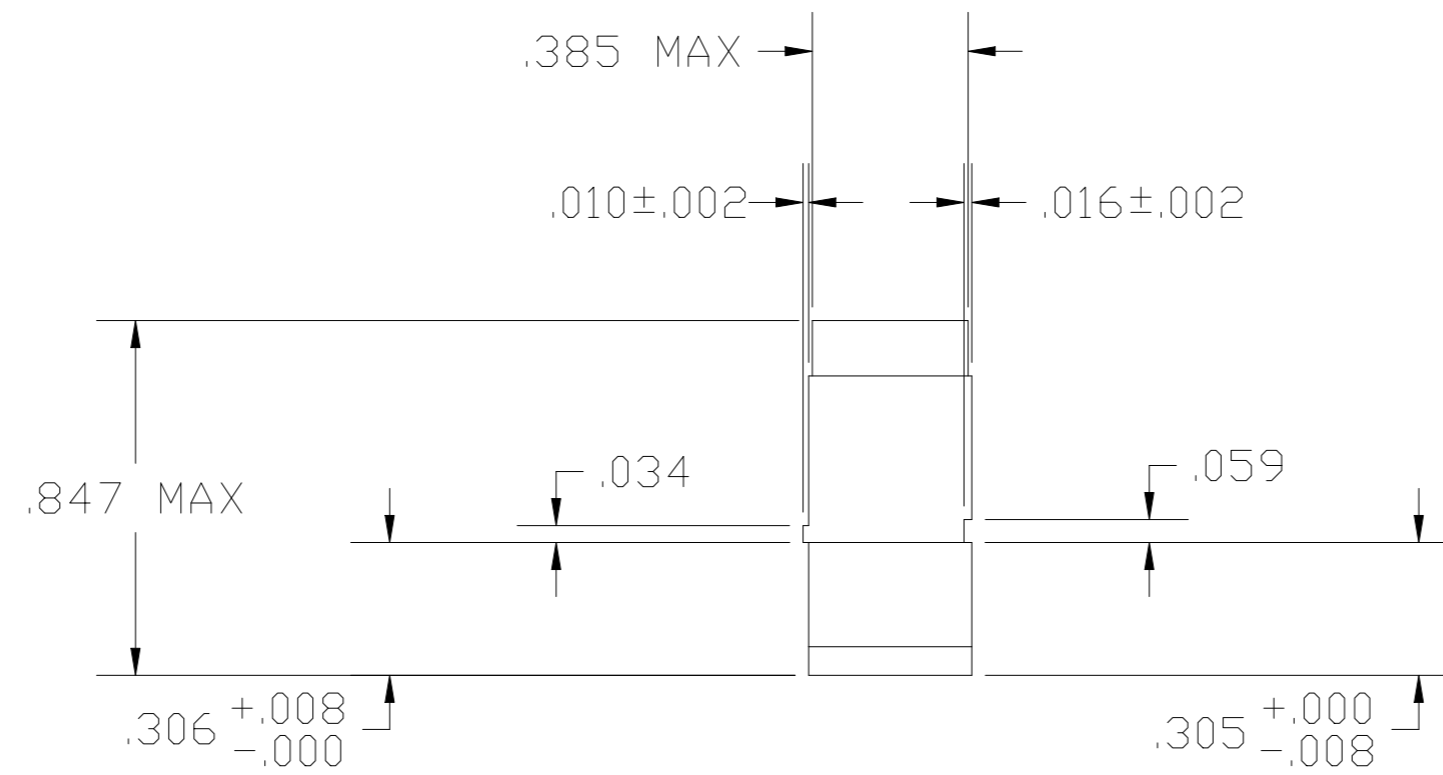
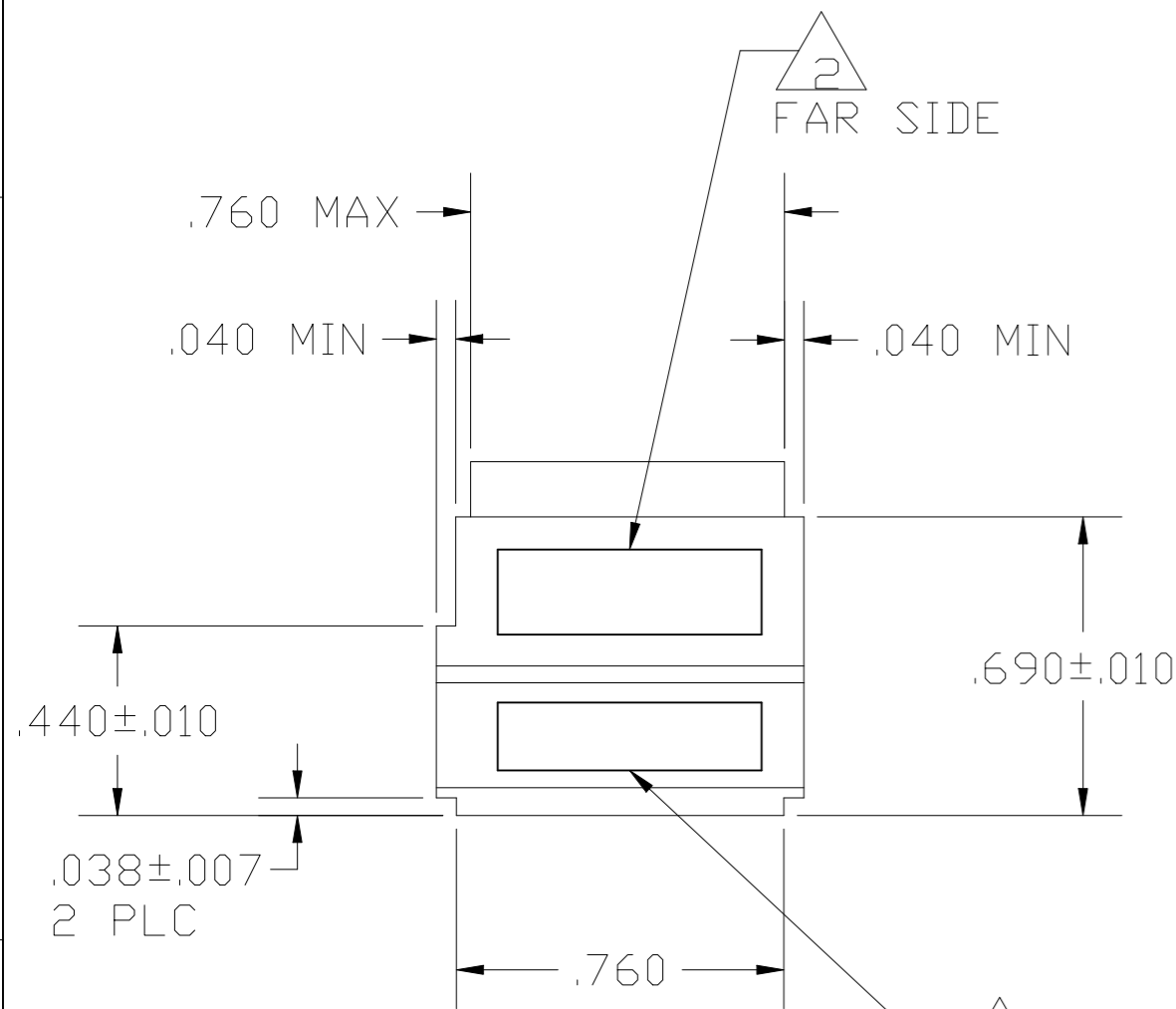
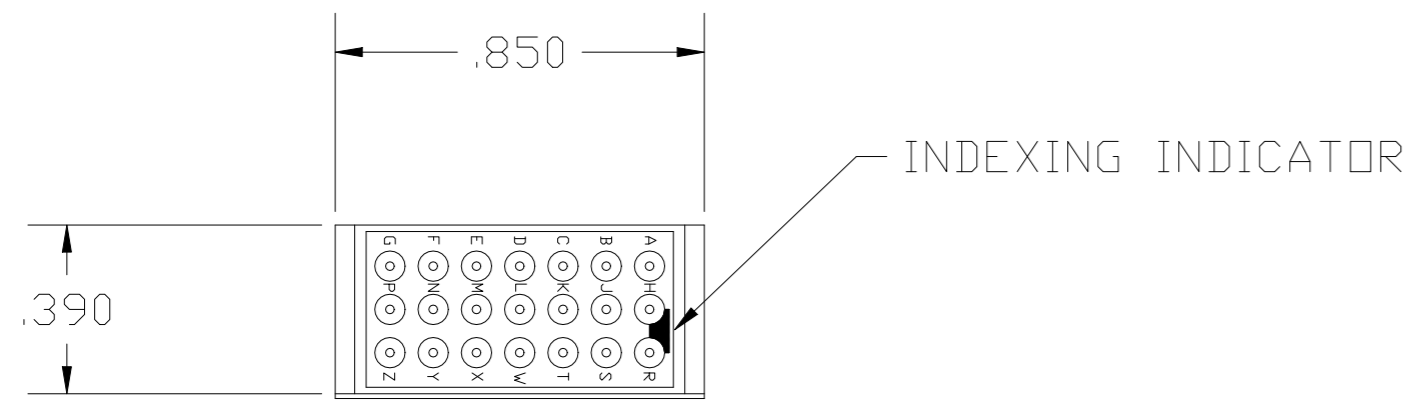


DESCRIPTION	MATERIAL	FINISH
MODULE ASSEMBLY	EPOXY	COLOR: BLACK
GROMMET	FLUORSILICONE RUBBER	COLOR: BLUE
CONTACT SOCKET	BERYLLIUM COPPER PER QQ-C-533	GOLD PLATE PER MIL-G-45204
RETAINING CLIP	BERYLLIUM COPPER PER QQ-C-533 OR STAINLESS STEEL PER QQ-S-766	NONE
CONTACTS	COPPER ALLOY PER MIL-C-39029/1	GOLD PLATE PER MIL-G-45204
SEALING PLUGS	F.E.P. PER MIL-P-19468	COLOR: BLACK

P	LTR	DESCRIPTION	DATE	OWN	APVD
E		REVISED PER ECO 20-009603	5-19-21	CT	DC



BUSSING ARRANGEMENTS 3

3 BUSSING ARRANGEMENT OUTLINE DENOTES INTERNAL ARRANGEMENT OF CONTACT SOCKETS.

2 MODULE ASSEMBLY MARKED WITH CUSTOMER PART NO., MILITARY PART NO. IF REQUIRED .060 MINIMUM HIGH CHARACTERS AT APPROXIMATE AREA SHOWN.

1 MODULE ASSEMBLY MARKED WITH "TE", TE PART NO. AND DATE CODE .060 MINIMUM HIGH CHARACTERS AT APPROXIMATE AREA SHOWN.

THIS DRAWING IS A CONTROLLED DOCUMENT.		Dwn J. MECK 3-10-93	TE TE Connectivity	
DIMENSIONS: INCHES		CHK R. RYAN 3-31-93		
TOLERANCES UNLESS OTHERWISE SPECIFIED:		APVD R. RYAN 3-31-93	NAME -	
0 PLC ± -		PRODUCT SPEC	MODULE ASSY, FEED-BACK, SIZE 21, TJ	
1 PLC ± -		APPLICATION SPEC	-	
2 PLC ± -			SIZE	CAGE CODE
3 PLC ± .005			A2	00779
4 PLC ± -			DRAWING NO	RESTRICTED TO
ANGLES ± -		WEIGHT	C=592629	-
FINISH		CUSTOMER DRAWING	SCALE	SHEET
			2:1	1 OF 2
				REV
				E

REVISIONS				
P	LTR	DESCRIPTION	DATE	OWN
-	-	SEE SHEET 1	-	-

MRTB21D43				X														--	--	4-592629-9
MRTB21D39									X									--	--	4-592629-8
M81714/17-D30																X	X	X	X	4-592629-7
M81714/17-D45		X																X	X	4-592629-5
M81714/17-D36										X								X	X	4-592629-4
M81714/17-D43																		X	X	4-592629-3
M81714/17-D42																		X	X	4-592629-2
M81714/17-D41																		OBSOLETE		4-592629-1
-----																		--	--	4-592629-0
-----																		SUPERCEDED BY 4-592629-9		3-592629-3
MRTB21D42																		--	--	3-592629-2
MRTB21D44																				3-592629-1
MRTB21D37																				3-592629-0
MRTB21D36																				2-592629-9
MRTB21D35																				2-592629-8
MRTB21D34																				2-592629-7
MRTB21D32																				2-592629-6
MRTB21D31																				2-592629-5
MRTB21D30																				2-592629-4
G383962-1																				2-592629-3
-----																				2-592629-2
77A112809-2		X																		2-592629-1
-----																				2-592629-0
M81714/17-D44																				1-592629-9
-----																				1-592629-8
M81714/17-D40																				1-592629-7
-----																				1-592629-6
M81714/17-D39																				1-592629-5
-----																				1-592629-4
M81714/17-D38																				1-592629-3
-----																				1-592629-2
M81714/17-D37																				1-592629-1
-----																				1-592629-0
M81714/17-D35																				592629-9
-----																				592629-8
M81714/17-D34																				592629-7
-----																				592629-6
M81714/17-D33																				592629-5
-----																				592629-4
M81714/17-D32																				592629-3
-----																				592629-2
M81714/17-D31																				592629-1
MARKING	46	45	44	43	42	40	39	38	37	36	35	34	33	32	31	30	SEALING PLUG QTY 2	CONTACTS QTY 11	PART NO.	
	BUSSING ARRANGEMENTS																			

THIS DRAWING IS A CONTROLLED DOCUMENT.		OWN	J. MECK	3-10-93	 TE Connectivity
DIMENSIONS: INCHES		CHK	R. RYAN	3-31-93	
		APVD	R. RYAN	3-31-93	
TOLERANCES UNLESS OTHERWISE SPECIFIED: 0 PLC ± - 1 PLC ± - 2 PLC ± - 3 PLC ± .005 4 PLC ± - ANGLES ± -		PRODUCT SPEC			
MATERIAL	FINISH	WEIGHT	0	SIZE	A2
		CUSTOMER DRAWING	SCALE	2:1	SHEET
				DRAWING NO	C-592629
				RESTRICTED TO	-
				REV	E

X-ON Electronics

Largest Supplier of Electrical and Electronic Components

Click to view similar products for [Terminal Junction Modules](#) category:

Click to view products by [TE Connectivity](#) manufacturer:

Other Similar products are found below :

[00175530502](#) [591900-1](#) [M81714/60-12-01](#) [M81714/60-20-06](#) [M81714/60-22-01](#) [M81714/65-12-1](#) [YCTD160E01FC108000](#)
[YCTJ122E01CC015000](#) [YHLZG16-2](#) [YHLZR-45](#) [YHLZ16-4](#) [YHLZ16-2](#) [YCTJ420E021C098000](#) [M81714/65-20-2](#) [YHLZ-8](#) [DL60R14-](#)
[15SN-090-6106](#) [00111520902](#) [YHLZG16-1](#) [00111520202](#) [TBH120450](#) [00176590602](#) [TJSE20506](#) [MX2000](#) [00172021000](#) [00111820202](#)
[ZPF000000000020152](#) [YTJ11E-06-04V00300](#) [FMJ11E20-06G](#) [M81714/60-16-02](#) [TJSE20110](#) [00175510702](#) [00176520402](#) [00175520802](#)
[TJSE20100](#) [TJSE22112](#) [TJT701020](#) [TJSE20111](#) [00176520502](#) [00175530302](#) [00175112000](#) [00176520202](#) [TJSE22843](#) [00175510802](#)
[00175521102](#) [00111521103](#) [CTD1062E05A-513](#) [M81714/61-0W](#) [TJSE20703](#) [BDX016016-2](#) [BDX016017-2](#)