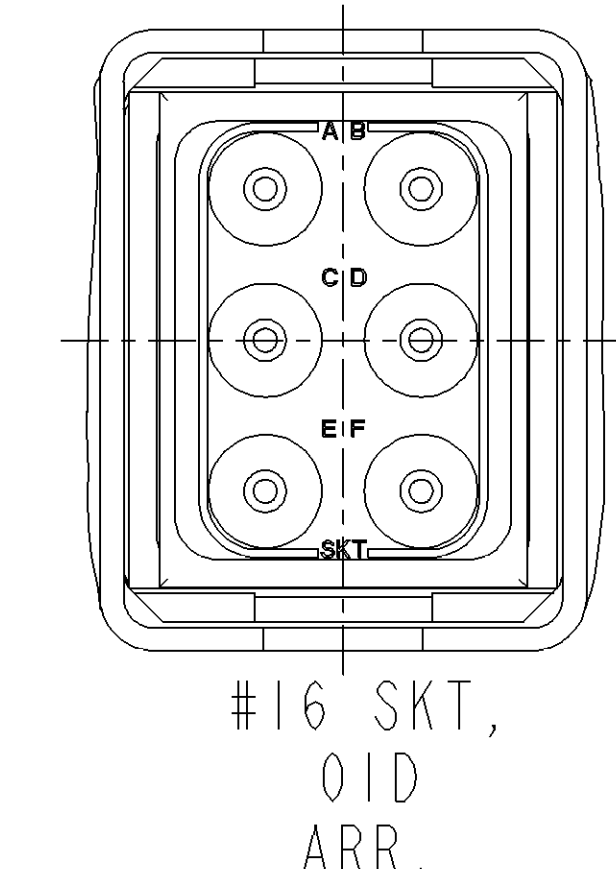
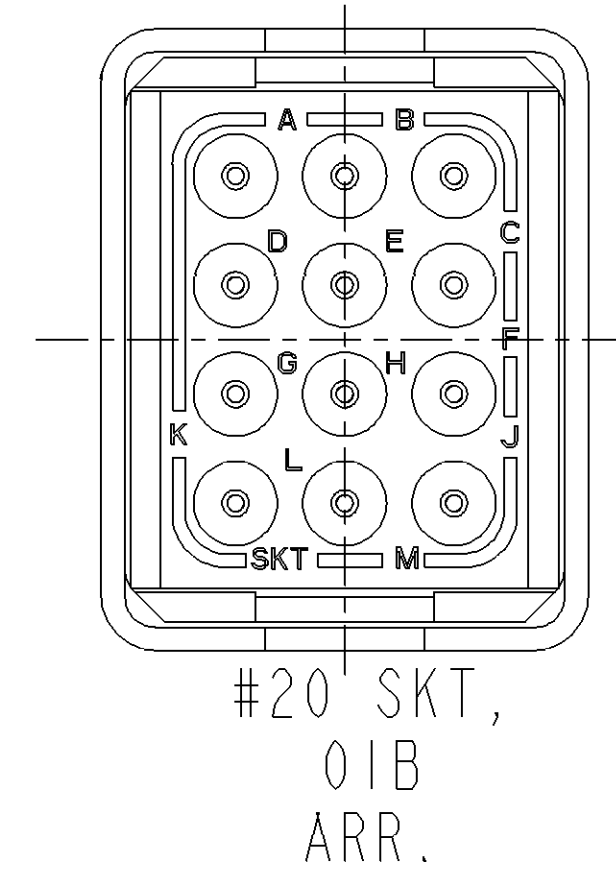
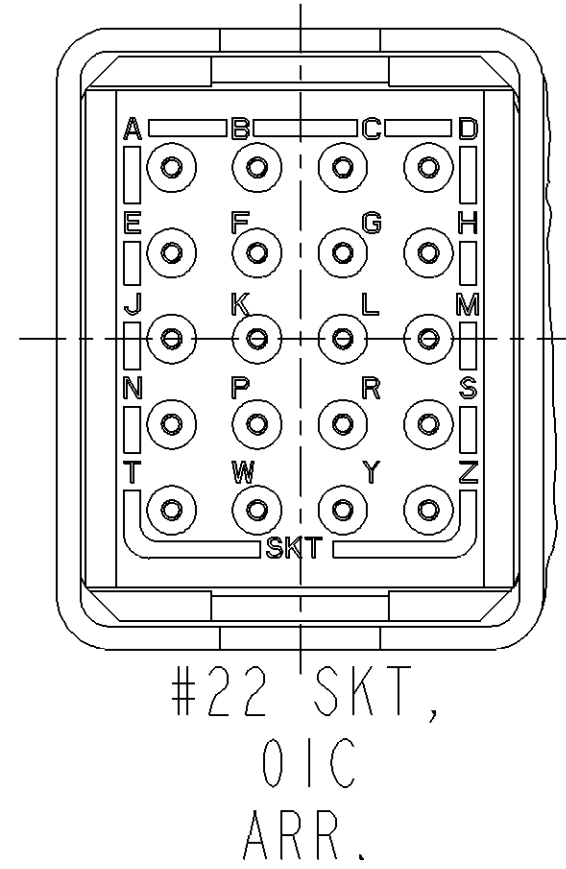
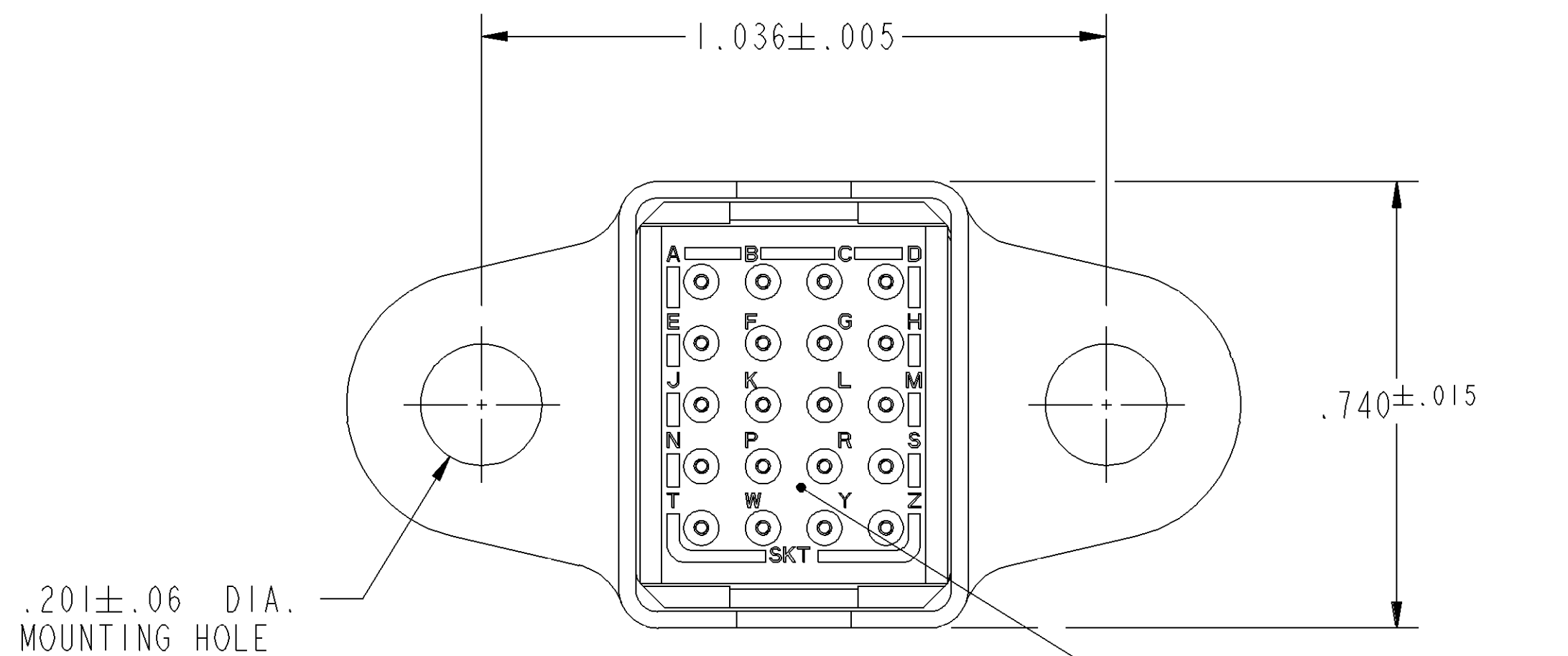
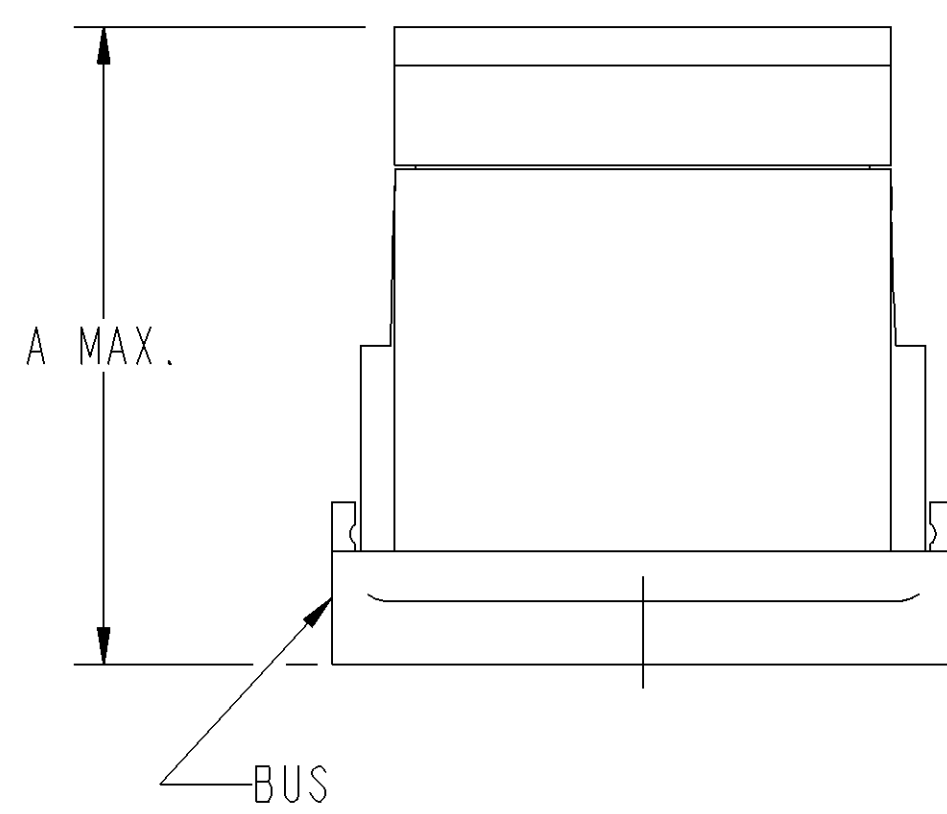
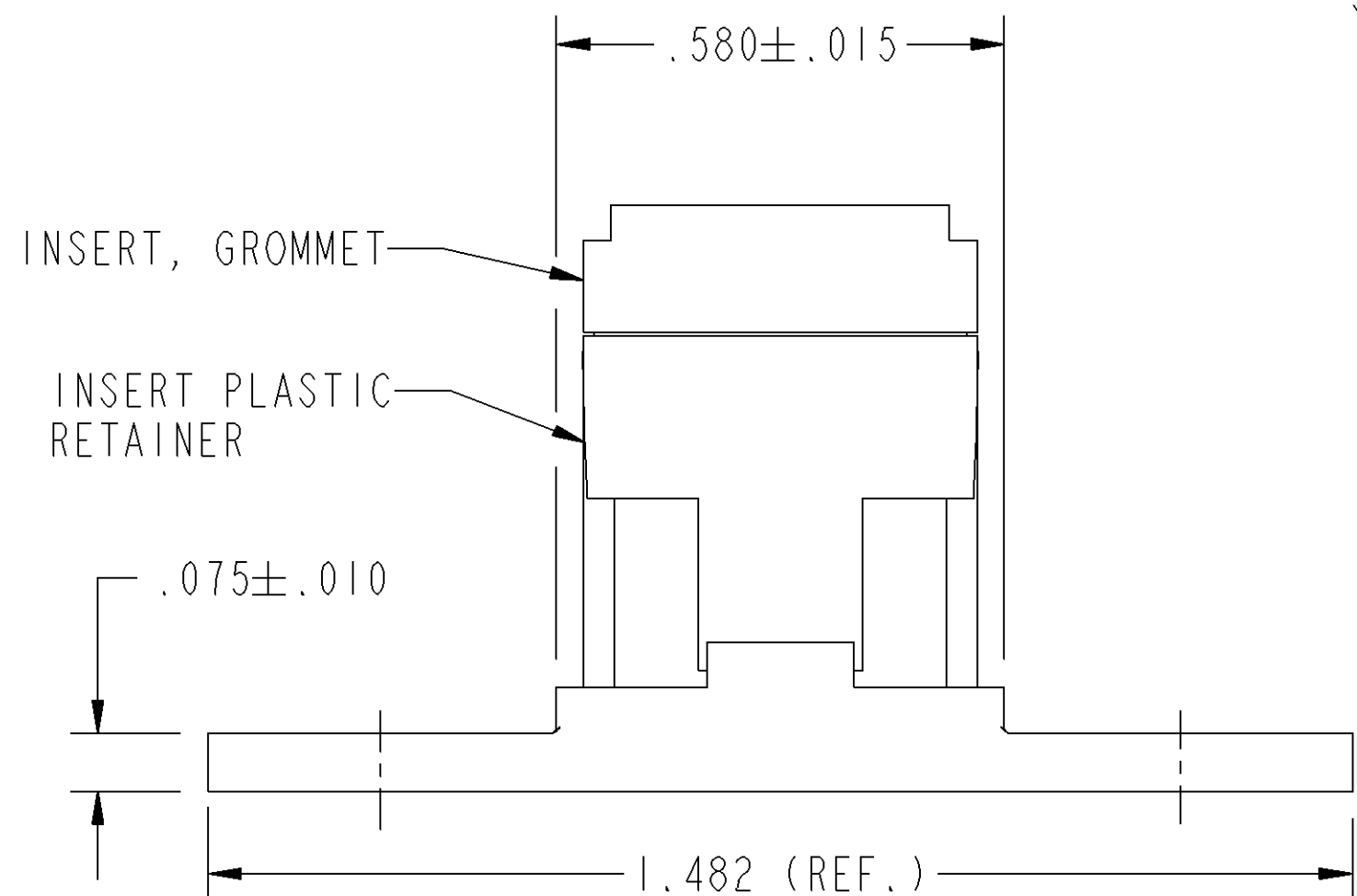


REV	CTJ7**K***
B	

REVISION HISTORY			
REV	DESCRIPTION	DATE	APPROVED
N/C	NEW RELEASE PER E.O. 83654	770304	JDM
A	REVISED PER E.O. 85044	850508	L. STOLLE
B	REDRAWN PER E.O. D0028	120323	PB



GROMMET VIEWS



- 7. FOR GROUNDING JUNCTIONS WITH #12 CONTACT SEE SEPARATE ENVELOPE DRAWING #CTJ712K01E.
- 6. FINISH: BUS, TIN.
- 5. REQUIRED CONTACT TOOL PART NUMBER:
 INSERTION/EXTRACTION TOOL: 81515-23 (SIZE 22)
 MI5570-20 (SIZE 20)
 MI5570-16 (SIZE 16)

SIZE	PART NUMBER (***)	MAX. A
22	CTJ722K01C	.830
20	CTJ720K01B	.955
16	CTJ716E01D	.955

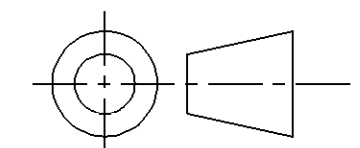
- 4. FOR CONTACT DATA SEE ENVELOPE DRAWING 1625-1-0000.
- 3. PART NUMBER BREAK DOWN: (EXAMPLE)
 CTJ7 16 K 01D
 BASIC IDENTIFIER MODULE SIZE FLANGE MOUNTING STYLE BUS ARRANGEMENT (SEE NOTE 2)

- 2. BUS IDENTIFICATION SCREENED ON MODULE ASSEMBLY.
- 1. DIMENSIONS ARE IN INCHES UNLESS OTHERWISE SPECIFIED.

NOTES: UNLESS OTHERWISE SPECIFIED.

TOLERANCE UNLESS OTHERWISE SPECIFIED
 DIMENSIONS ARE IN INCHES
 DECIMALS .xxx ± .005; .xxxx ± .0005
 ANGLES: X° ± .5°; X.X° ± .25°
 T.I.R. .010
 PARTS TO BE FREE OF BURRS & SHARP EDGES

THIRD ANGLE PROJECTION



SIGNATURE & DATE	
DR	770304
CHK	770309
PE	MACDONALD 770314
APPD	A. RENGIFO 120323
MATERIAL	
FINISH	
MATERIAL CODE	

ALL SHEETS ARE THE SAME REVISION STATUS

DEUTSCH
 DEFENSE/AEROSPACE OPERATION
 250 EDDIE JONES WAY
 OCEANSIDE, CA 92058

TITLE: **MODULE**
 CTJ GROUNDING JUNCTION
 FLANGE MOUNTING, ENVIRONMENTAL
 ENVELOPE

SIZE C	CAGE CODE 11139	DWG NO CTJ7**K***
SCALE 3.500	WEIGHT	SHEET 1 OF 1

X-ON Electronics

Largest Supplier of Electrical and Electronic Components

Click to view similar products for [Terminal Junction Modules](#) category:

Click to view products by [TE Connectivity](#) manufacturer:

Other Similar products are found below :

[00175530502](#) [591900-1](#) [M81714/60-12-01](#) [M81714/60-20-06](#) [M81714/60-22-01](#) [M81714/65-12-1](#) [YCTD160E01FC108000](#)
[YCTJ122E01CC015000](#) [YHLZG16-2](#) [YHLZR-45](#) [YHLZ16-4](#) [YHLZ16-2](#) [YCTJ420E021C098000](#) [M81714/65-20-2](#) [YHLZ-8](#) [DL60R14-](#)
[15SN-090-6106](#) [00111520902](#) [YHLZG16-1](#) [00111520202](#) [TBH120450](#) [00176590602](#) [TJSE20506](#) [MX2000](#) [00172021000](#) [00111820202](#)
[ZPF000000000020152](#) [YTJ11E-06-04V00300](#) [FMJ11E20-06G](#) [M81714/60-16-02](#) [TJSE20110](#) [00175510702](#) [00176520402](#) [00175520802](#)
[TJSE20100](#) [TJSE22112](#) [TJT701020](#) [TJSE20111](#) [00176520502](#) [00175530302](#) [00175112000](#) [00176520202](#) [TJSE22843](#) [00175510802](#)
[00175521102](#) [00111521103](#) [CTD1062E05A-513](#) [M81714/61-0W](#) [TJSE20703](#) [BDX016016-2](#) [BDX016017-2](#)