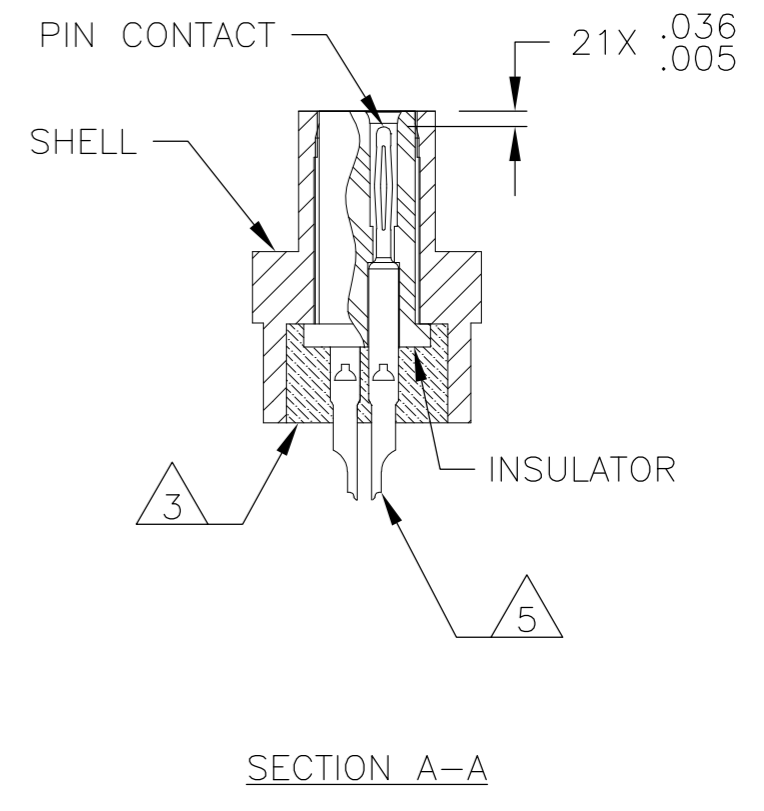
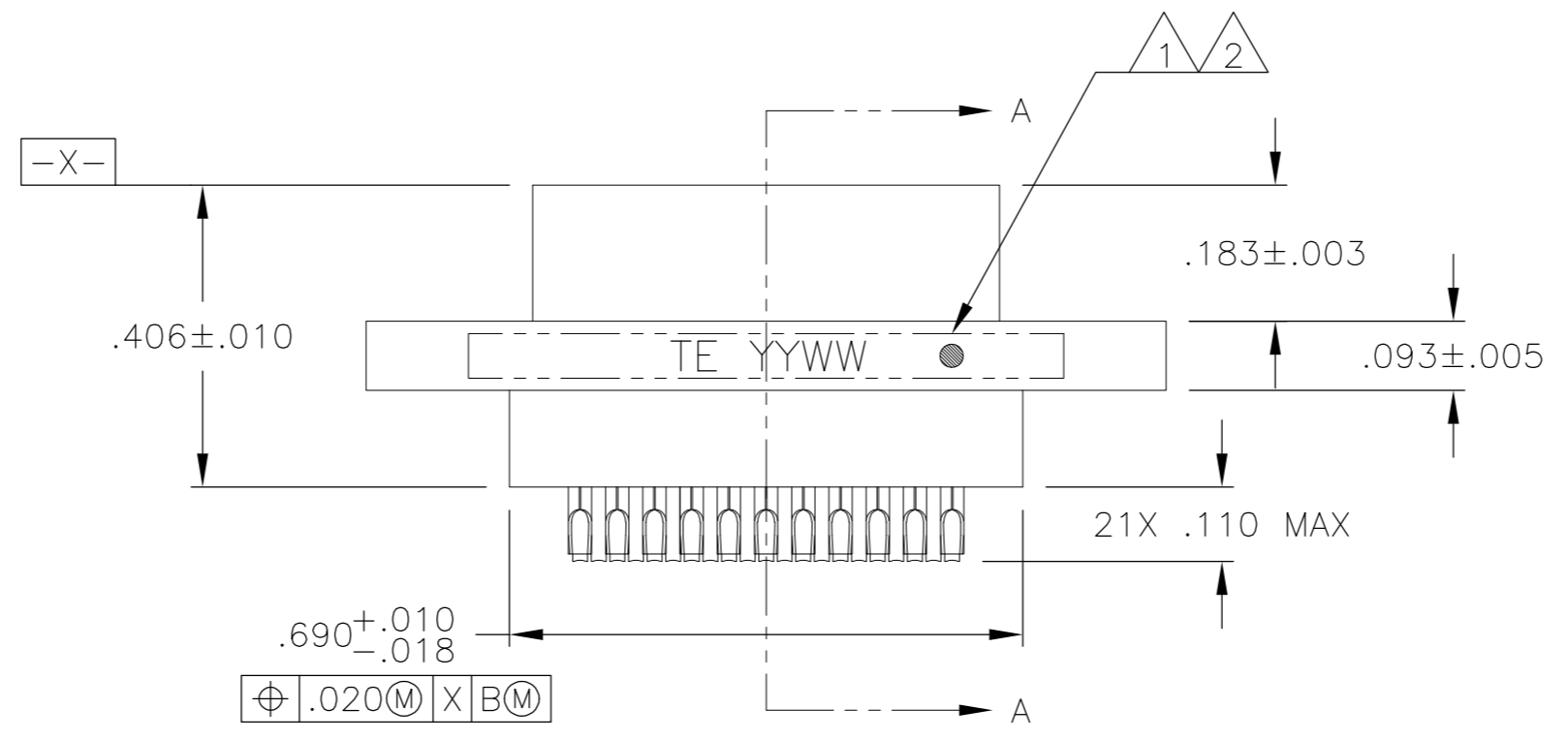
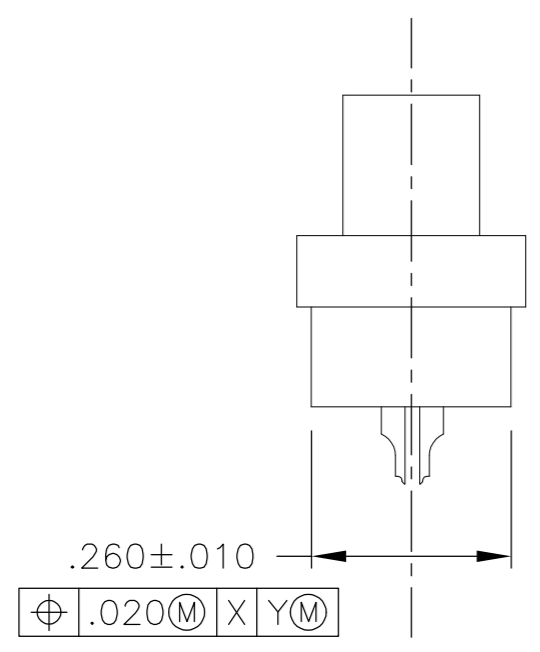
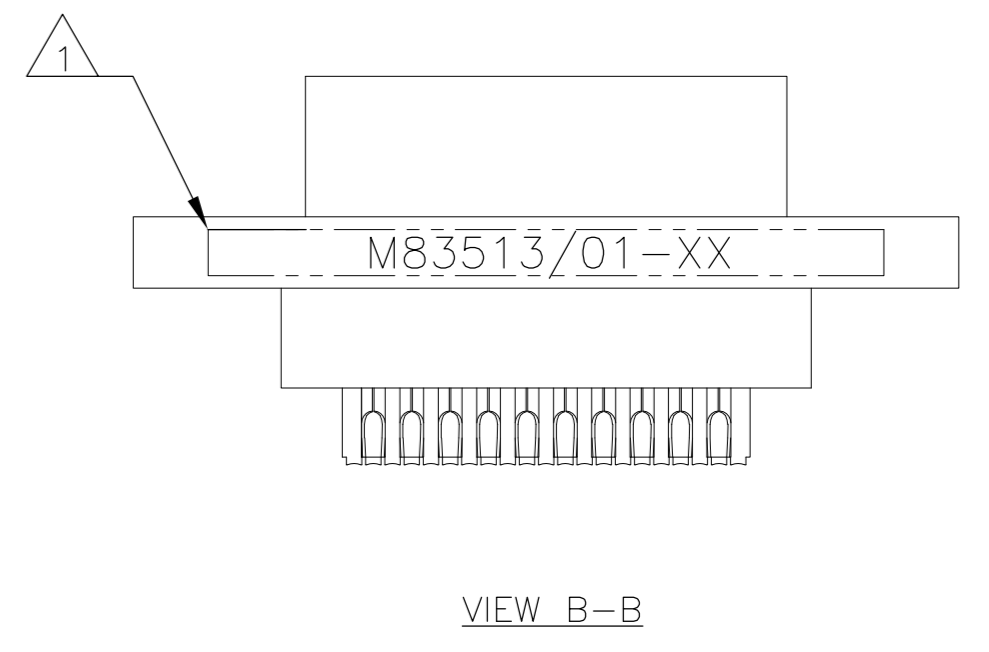
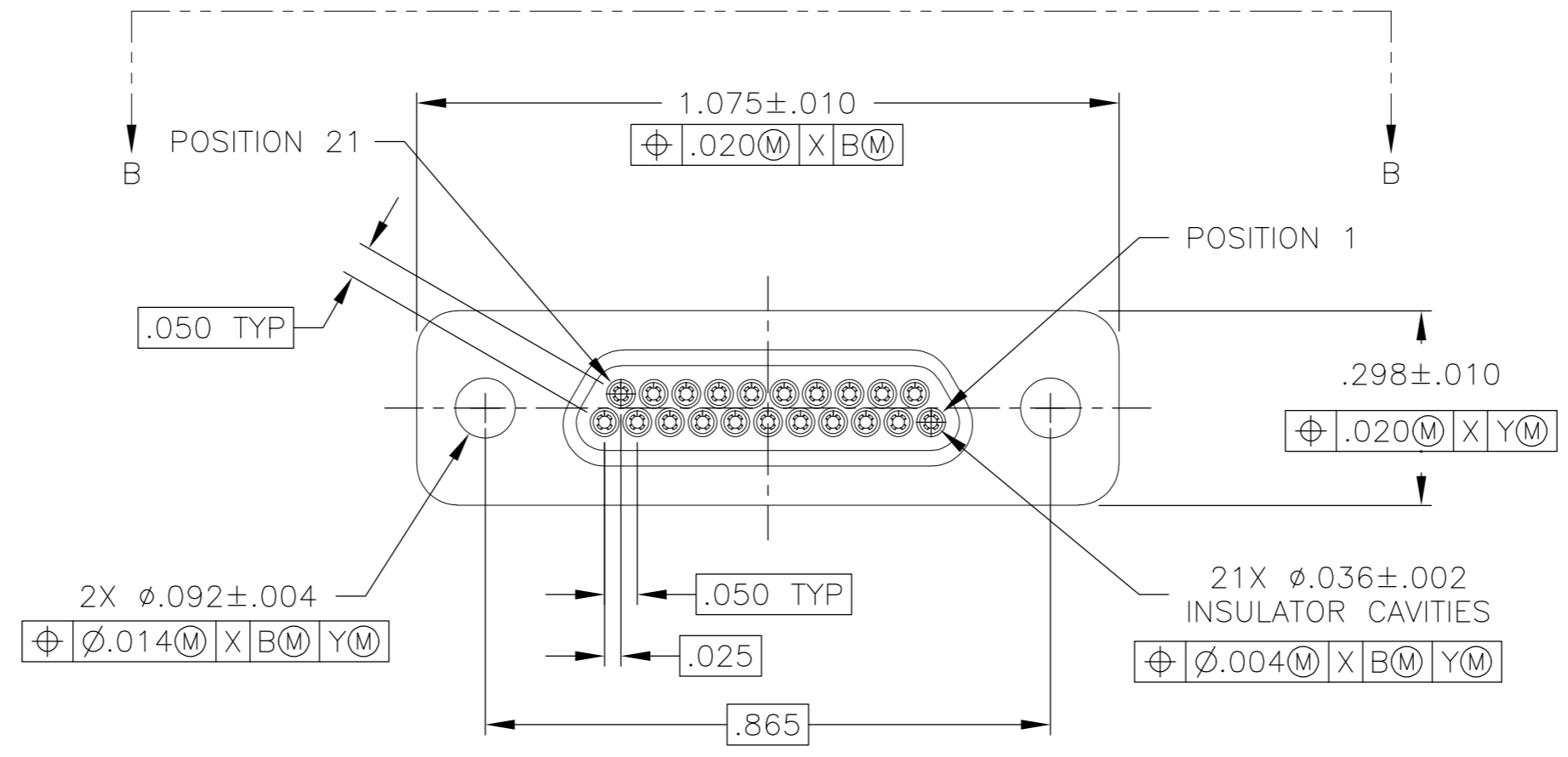
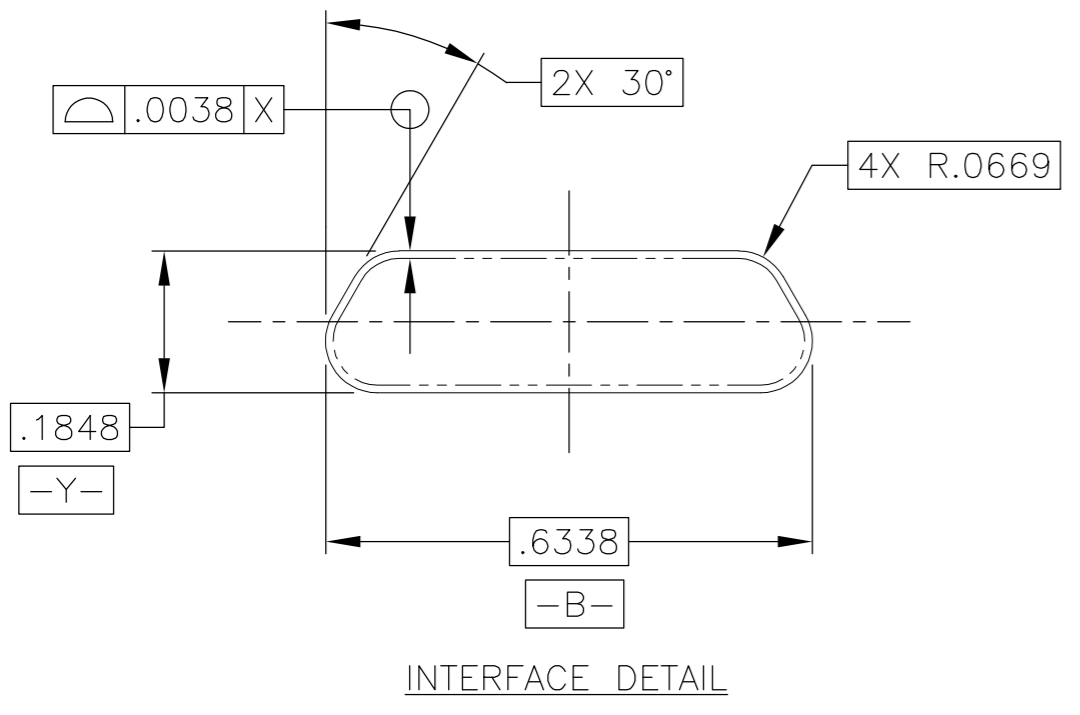


THIS DRAWING IS UNPUBLISHED. RELEASED FOR PUBLICATION
 © COPYRIGHT - By - ALL RIGHTS RESERVED.

| REVISIONS | | | | |
|-----------|-----|--------------------------|-----------|---------|
| P | LTR | DESCRIPTION | DATE | APVD |
| B | | UPDATE PER ECO-16-002588 | 24 FEB 16 | CAS CAS |



- 1 CONNECTOR SHALL BE MARKED IN ACCORDANCE WITH METHOD I OF MIL-STD-1285. MARKING SHALL CONTAIN THE MILITARY PIN, CAGE CODE (OR TE), AND DATE CODE. EXAMPLE: M83513/01-XX TE YYWW (WHERE XX IS PART OF THE PIN SHOWN IN THE "MIL-DTL-83513" COLUMN OF THE PART NUMBER TABLE, AND YYWW IS THE DATE CODE). FOR THE SIZE 21 PLUG, THE MARKING MUST BE PRINTED ON BOTH SIDES OF THE FLANGE. TEXT HEIGHT SHALL BE .035 INCH MINIMUM.
- 2 POSITION 1 SHALL BE INDICATED BY AN IDENTIFIABLE MARK, LOCATED APPROXIMATELY AS SHOWN ON THE POSITION 1 SIDE OF THE CONNECTOR FLANGE. THIS MARK SHALL BE INCLUDED AS PART OF THE PART MARKING INFORMATION.
- 3 EPOXY ENCAPSULATION. EPOXY MAY WICK .050 INCH MAX FOR SOLDER CUPS.
- 4 ALL DIMENSIONS AND REQUIREMENTS ARE PER MIL-DTL-83513/1
- 5 CHAMFER ON SOLDER POTS ARE PARALLEL WITH THE SIDE OF CONNECTOR WITHIN 10°


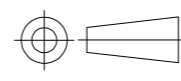
| | | | | | |
|--|--|---------------------|-----------|---|---------------|
| THIS DRAWING IS A CONTROLLED DOCUMENT. | | DWN B. ROMANCHUK | 03 SEP 08 | | |
| DIMENSIONS: INCHES | | CHK | - | | |
| TOLERANCES UNLESS OTHERWISE SPECIFIED: | | APVD M. STORRY | 03 SEP 08 | NAME | |
| 0 PLC ± - | | PRODUCT SPEC | | PLUG ASSEMBLY, MICRO-D PER MIL-DTL-83513/01, MCKS SERIES, 21 POSITION | |
| 1 PLC ± - | | APPLICATION SPEC | | SIZE | RESTRICTED TO |
| 2 PLC ± .010 | | WEIGHT | | A2 | - |
| 3 PLC ± .005 | | CUSTOMER DRAWING | | CAGE CODE | DRAWING NO |
| 4 PLC ± - | | SCALE | | 98278 | 1532211 |
| 5 ANGLES ± 1° | | SHEET | | 4:1 | 1 of 2 |
| MATERIAL SEE NOTES | | FINISH | | REV | B |

THIS DRAWING IS UNPUBLISHED. RELEASED FOR PUBLICATION - . - .
 © COPYRIGHT - By - ALL RIGHTS RESERVED.

| REVISIONS | | | | |
|-----------|-----|-------------|------|------|
| P | LTR | DESCRIPTION | DATE | APVD |
| - | | SEE SHEET 1 | - | - |

| TE PART NUMBER | MIL-DTL-83513 PIN | MICRODOT P/N | MCKS DESCRIPTION |
|-------------------|-------------------|---------------|------------------|
| 1532211-1 | M83513/01-CN | 094-6325-0000 | MCKS-N1-B-21PS |
| 1532211-2 | M83513/01-CC | 094-6335-0000 | MCKS-C2-B-21PS |
| | | | |
| | | | |
| | | | |
| | | | |
| | | | |
| | | | |
| | | | |
| | | | |
| | | | |
| | | | |
| | | | |
| | | | |
| | | | |
| | | | |
| | | | |
| | | | |
| | | | |
| | | | |
| | | | |
| | | | |
| | | | |
| | | | |
| | | | |
| | | | |

THIS DRAWING IS A CONTROLLED DOCUMENT.

| | | | |
|---|---|---|---|
| DWN B. ROMANCHUK | 03 SEP 08 |  TE Connectivity | |
| CHK - | - | | |
| APVD M. STORRY | 03 SEP 08 | | |
| DIMENSIONS: INCHES | TOLERANCES UNLESS OTHERWISE SPECIFIED: | NAME | PLUG ASSEMBLY, MICRO-D PER MIL-DTL-83513/01, MCKS SERIES, 21 POSITION |
|  | 0 PLC ± - 1 PLC ± - 2 PLC ± - 3 PLC ± - 4 PLC ± - ANGLES ± - | PRODUCT SPEC | |
| MATERIAL - | FINISH - | APPLICATION SPEC | |
| | | WEIGHT - | SIZE A2 CAGE CODE 98278 DRAWING NO. 1532211 RESTRICTED TO - |
| | | CUSTOMER DRAWING | SCALE 4:1 SHEET 2 of 2 REV B |

1532211

X-ON Electronics

Largest Supplier of Electrical and Electronic Components

Click to view similar products for [D-Sub Mil Spec Connectors](#) category:

Click to view products by [TE Connectivity](#) manufacturer:

Other Similar products are found below :

[M85049/50-5F](#) [D38999/24WG11PB-LC](#) [MDM-9SH006A](#) [1218697-4](#) [D38999/26WJ61PC L/C](#) [1484349-1](#) [17D25HV](#) [1996840-1](#) [243082-15](#)
[1757682-1](#) [17D-E51218-1](#) [17SDA15S](#) [1883533-1](#) [1883886-1](#) [1883889-1](#) [192900-0377](#) [M24308/8-347](#) [M83513/03-E09C](#) [443961-3](#) [5-](#)
[1218949-1](#) [550-031NF1R6K](#) [3-1236089-2](#) [550E001NF1R3J0L](#) [550T001NF1R6K0L](#) [557T283NF5B08](#) [DC121073157](#) [443869-3](#) [443869-4](#)
[443869-5](#) [550S004NF1R1B0F03](#) [557E283NF1A06](#) [527-019NF0303R2K1F](#) [5-446405-1](#) [550-031NF1R2E](#) [550E003M2R9J0F04](#)
[550E003M3R9J0F05](#) [550E024M104R9J0](#) [550E024NF102R3J0B](#) [550E039NF1R3J1-02](#) [550S003M3R9B0F05](#) [550S004M4R7M0F04](#)
[550S004NF1R1B1F02](#) [550S008M3F0K0F04](#) [550S086M5R3J0L](#) [550S100NF3F0E](#) [550T001M2R7E0L](#) [550T001NF1F0B1L](#)
[550T001NF1R1K0G](#) [550T001NF1R3K0G](#) [550T001NF1R4K0L](#)