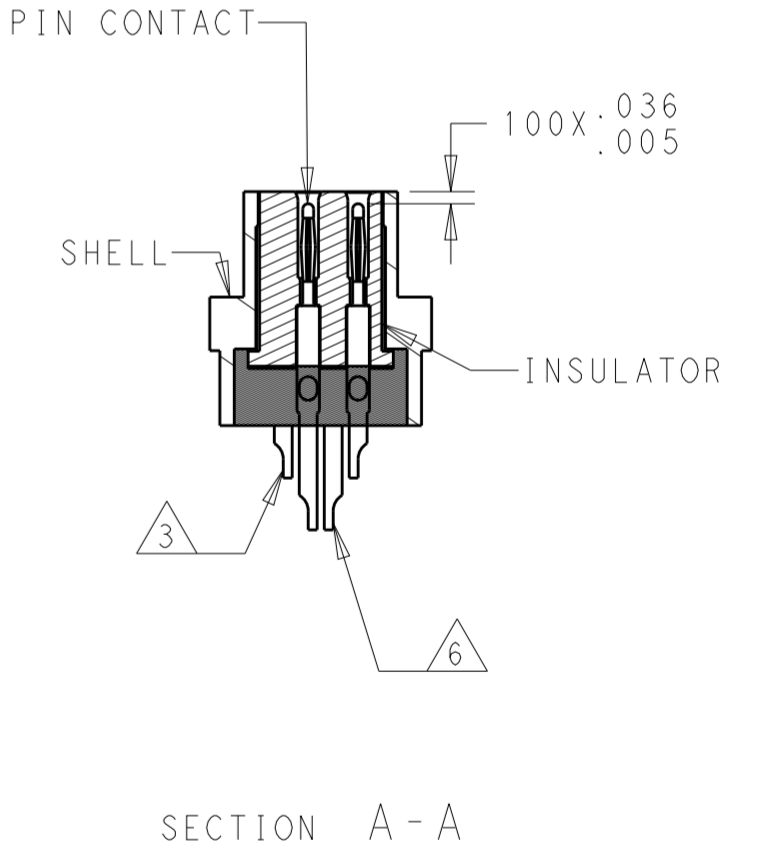
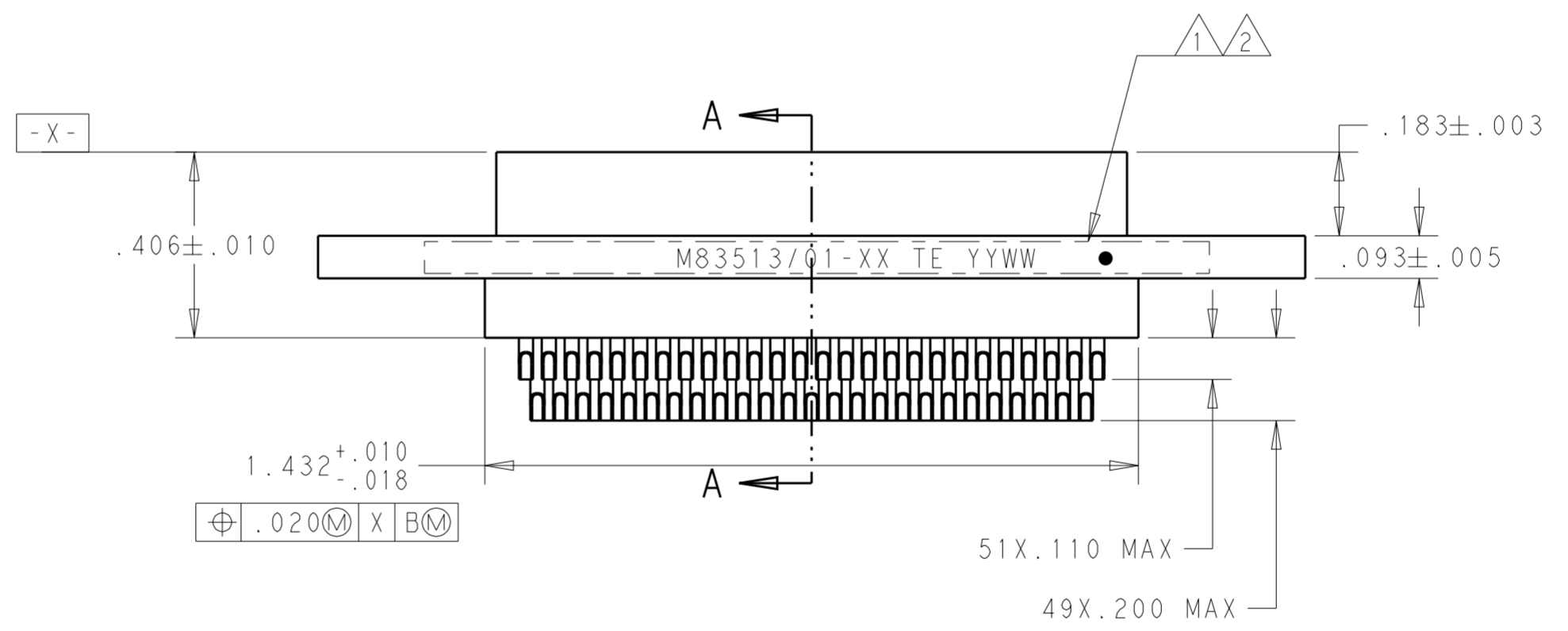
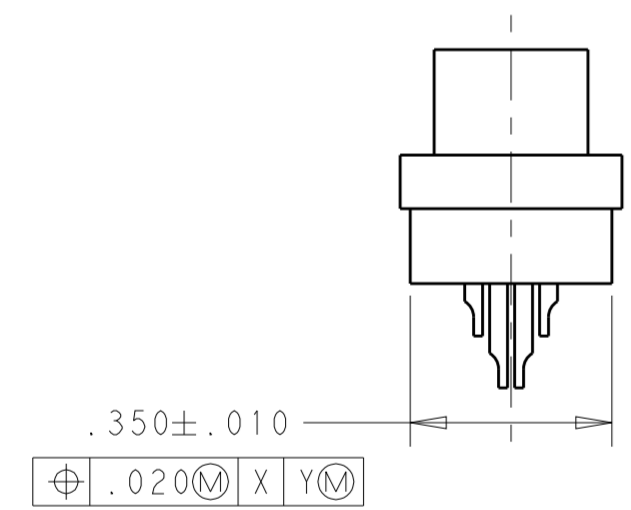
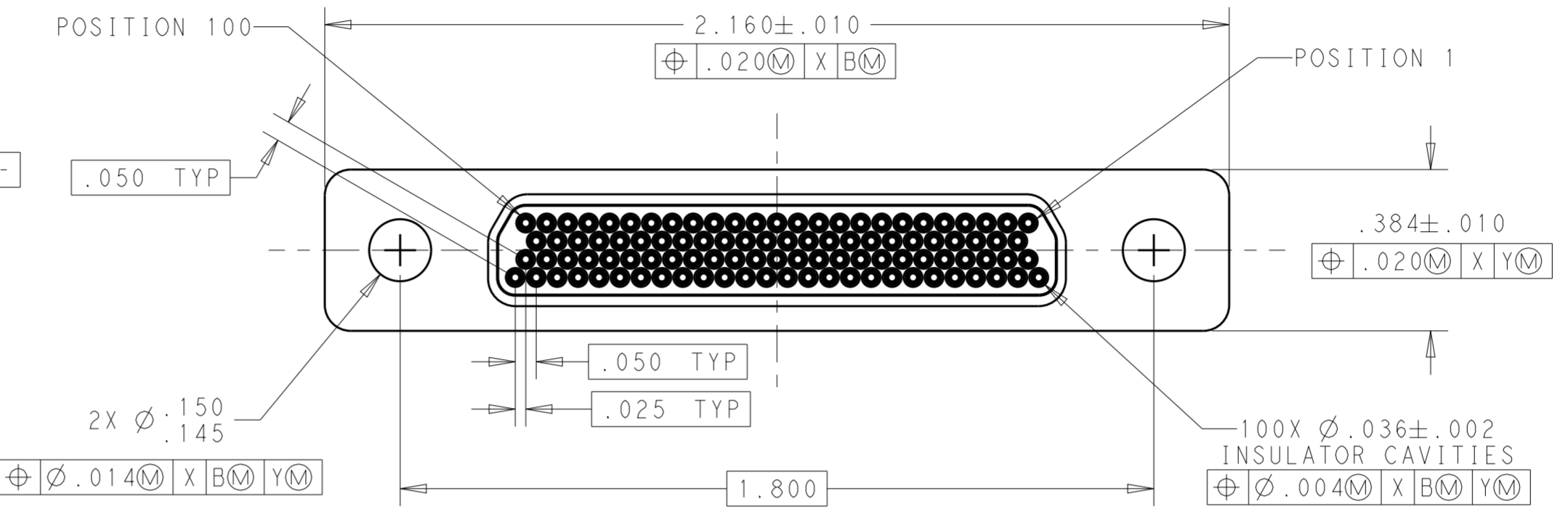
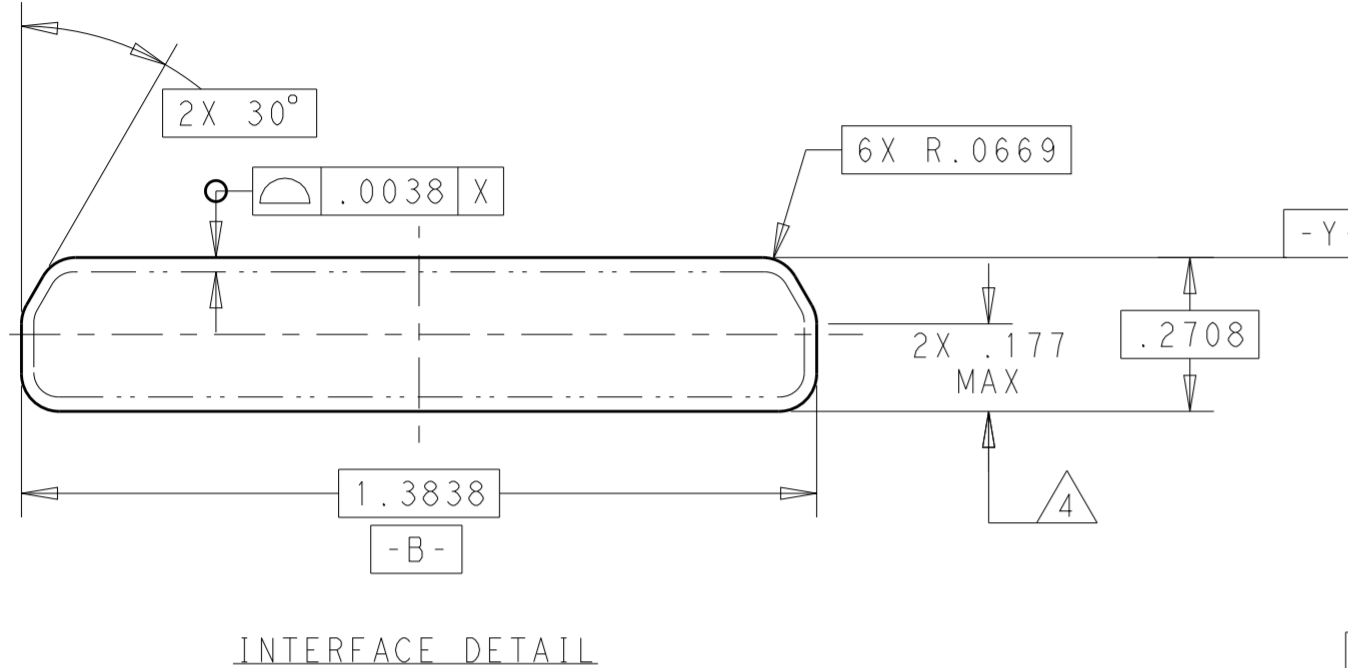


THIS DRAWING IS UNPUBLISHED. RELEASED FOR PUBLICATION 20
 © COPYRIGHT 20 BY - ALL RIGHTS RESERVED.

REVISIONS				
P	LTR	DESCRIPTION	DATE	APVD
C		UPDATE PER ECO-16-009064	07JUN2016	DS CS



- 1 CONNECTOR SHALL BE MARKED IN ACCORDANCE WITH METHOD 1 OF MIL-STD-1285. MARKING SHALL CONTAIN THE MILITARY PIN, CAGE CODE (OR TE), AND DATE CODE. EXAMPLE: M83513/01-XX TE YYWW (WHERE XX IS PART OF THE PIN SHOWN IN THE "MIL-DTL-83513" COLUMN OF THE PART NUMBER TABLE, AND YYWW IS THE DATE CODE). TEXT HEIGHT SHALL BE .035 INCH MINIMUM.
- 2 POSITION 1 SHALL BE INDICATED BY AN IDENTIFIABLE MARK, LOCATED APPROXIMATELY AS SHOWN ON THE POSITION 1 SIDE OF THE CONNECTOR FLANGE. THIS MARK SHALL BE INCLUDED AS PART OF THE PART MARKING INFORMATION.
- 3 EPOXY ENCAPSULATION. EPOXY MAY WICK .050 INCH MAX FOR SOLDER CUPS.
- 4 THIS DIMENSION IS THE THEORETICAL INTERSECTION OF THE TWO ADJACENT SIDES OF THE INTERFACE.
- 5 ALL DIMENSIONS AND REQUIREMENTS ARE PER MIL-DTL-83513/1.
- 6 CHAMFER ON SOLDER POTS ARE PARALLEL WITH THE SIDE OF CONNECTOR WITHIN 10°.

THIS DRAWING IS A CONTROLLED DOCUMENT.		DWN C SCHOLL 21MAR2005	TE Connectivity	
DIMENSIONS: IN		CHK M STORRY 21MAR2005		
TOLERANCES UNLESS OTHERWISE SPECIFIED:		APVD M STORRY 21MAR2005	NAME PLUG ASSEMBLY MICRO-D PER MIL-DTL-83513/01 MCKS SERIES, 100 POSITION	
0 PLC ±-		PRODUCT SPEC	SIZE A298278	
1 PLC ±-		APPLICATION SPEC	CAGE CODE C-1532216	
2 PLC ±.010		WEIGHT	DRAWING NO -	
3 PLC ±.005		CUSTOMER DRAWING	RESTRICTED TO -	
4 PLC ±-		SCALE 3:1	SHEET 1 OF 2	
ANGLES ±1°			REV C	
FINISH				

THIS DRAWING IS UNPUBLISHED. RELEASED FOR PUBLICATION 20
 © COPYRIGHT 20 BY - ALL RIGHTS RESERVED.

REVISIONS				
P	LTR	DESCRIPTION	DATE	APVD
		SEE SHEET 1		



TE PART NUMBER	MIL-DTL-83513 PIN	MICRODOT P/N	MCKS DESCRIPTION
1532216-1	M83513/01-HN	094-6925-0000	MCKS-N1-B-100PS
1532216-2	M83513/01-HC	094-6935-0000	MCKS-C2-B-100PS
1532216-3	M83513/01-HP	094-6945-0000	MCKS-P1-B-100PS

THIS DRAWING IS A CONTROLLED DOCUMENT.		DWN C SCHOLL 21MAR2005	TE Connectivity	
DIMENSIONS: IN		CHK -		
		TOLERANCES UNLESS OTHERWISE SPECIFIED:		APVD M STORRY 21MAR2005
		0 PLC ±- 1 PLC ±- 2 PLC ±.010 3 PLC ±.005 4 PLC ±- ANGLES ±1° FINISH -		NAME PLUG ASSEMBLY MICRO-D PER MIL-DTL-83513/01 MCKS SERIES, 100 POSITION
MATERIAL -		PRODUCT SPEC -	APPLICATION SPEC -	SIZE A2
		WEIGHT -	CAGE CODE 98278	DRAWING NO C-1532216
		CUSTOMER DRAWING	SCALE 3:1	SHEET 2 OF 2
			RESTRICTED TO -	REV C

X-ON Electronics

Largest Supplier of Electrical and Electronic Components

Click to view similar products for [D-Sub MIL Spec Connectors](#) category:

Click to view products by [TE Connectivity](#) manufacturer:

Other Similar products are found below :

[M85049/50-5F](#) [850-056-0812](#) [1218697-4](#) [1484349-1](#) [17D25HV](#) [1996840-1](#) [243082-15](#) [1757682-1](#) [17D-E51218-1](#) [17SDA15S](#) [1883533-1](#)
[1883886-1](#) [1883889-1](#) [192900-0377](#) [M24308/8-347](#) [M83513/03-E09C](#) [443961-3](#) [5-1218949-1](#) [550-031NF1R6K](#) [3-1236089-2](#)
[550E001NF1R3J0L](#) [550T001NF1R6K0L](#) [557T283NF5B08](#) [DB121073-56](#) [DC121073157](#) [443869-3](#) [443869-4](#) [443869-5](#)
[550S004NF1R1B0F03](#) [557E283NF1A06](#) [527-019NF0303R2K1F](#) [5-446405-1](#) [550-031NF1R2E](#) [550E003M2R9J0F04](#) [550E003M3R9J0F05](#)
[550E024M104R9J0](#) [550E024NF102R3J0B](#) [550E039NF1R3J1-02](#) [550S003M3R9B0F05](#) [550S004M4R7M0F04](#) [550S004NF1R1B1F02](#)
[550S008M3F0K0F04](#) [550S086M5R3J0L](#) [550S100NF3F0E](#) [550T001M2R7E0L](#) [550T001NF1F0B1L](#) [550T001NF1R1K0G](#)
[550T001NF1R3K0G](#) [550T001NF1R4K0L](#) [550T001NF2R2K0L](#)