

Part Numbering System

Deutsch Part Numbering D83513 Micro-D

MDE 4 0 N 015 N 01 - ****

Modifications

Wire Type

- 00 = Separate crimp contacts
- 01 to 22 = Mil-Spec pigtail options (See Table 1)
- SC = Solder Cup Contacts
- PC = PC Tail Contacts

Hardware

- A = Low Profile, Allen Jackscrew, M-83513/05-02, -12 (100 pin)
- B = Std Profile, Allen Jackscrew, M-83513/05-03, -13 (100 pin)
- C = Low Profile, Slot Jackscrew, M-83513/05-05, -15 (100 pin)
- D = Std Profile, Slot Jackscrew, M-83513/05-06, -16 (100 pin)
- E = Jackpost, M-83513/05-07, -17 (100 pin)
- N = None

Contact Arrangement

- 009 015 021 025 031 037 051 100

Shell Finish

- N = Nickel
- C = Olive Drab Cadmium
- U = Unplated

Contact Style

- 0 = Crimp contacts
- 1 = Solder Cup contacts
- 2 = Printed Circuit Board

Shell Style

- 3 = Plug with pin contacts
- 4 = Receptacle with socket contacts

Series (per MIL-DTL-83513 class M) Aluminum Shell

Mil-Spec Part Numbering

M83513/04 B 01 N

Shell Finish

- C = Cadmium
- N = Nickel

Wire Type (See Table 1)

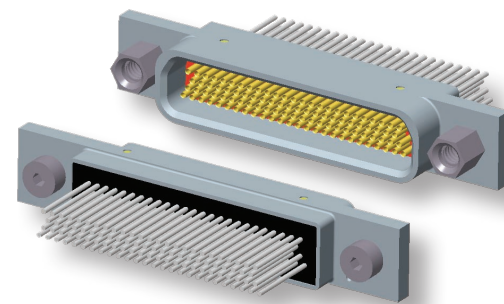
Contact Arrangement

- A = 009
- B = 015
- C = 021
- D = 025
- E = 031
- F = 037
- G = 051
- H = 100

Shell Style

- 03 = Plug with pin contacts
- 04 = Receptacle with socket contacts

Specification Sheet Number



MDE Series Micro-D

MIL-DTL-83513



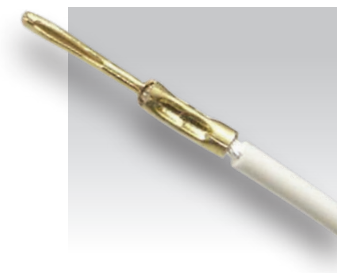
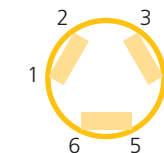
The Deutsch high density Micro-D is the perfect choice where size, contact density and weight are critical. The MDE series contact spacing is on 0.050 inch centers with aluminum shells plated in nickel or olive drab cadmium.

With a long history of innovation, Deutsch developed a Micro-D contact with SIX points of contact. These six points of contact assure performance and reliability, while offering a more cost effective solution than twist pin contacts.

The Micro-D class M connectors are offered with two options to fit your application. The connectors can be supplied pre-wired per MIL-DTL-83513, or with crimp contacts separate to allow customization of wire types and lengths for harness assembly.

The Deutsch MDE series Micro-D meets or exceeds all requirements of MIL-DTL-83513.

New High Performance Contact Design



The Deutsch MDE pin contact is an innovative design that employs six points of contact within the socket insuring high reliability and performance in demanding environments.

Technical Specifications

Electrical Characteristics

- Current Rating: 2.5 amp max
- Dielectric Withstanding Voltage (DWV): 600 Vrms at sea level and 150 Vrms at 70,000 ft
- Insulation Resistance: 5,000 Mohms min at 500 Vdc
- Contact Resistance: 60 to 75 mV (depending on wire) max voltage drop at 2.5 amps

Mechanical Data

- Contact Engagement: < 6 ounces
- Contact Separation: > 0.5 ounces
- Contact Retention: Potted version > 5 lbs
- Insert Retention: > 50 psi
- Vibration: EIA-364-28 Condition IV
- Mechanical shock: EIA-364-27 Condition E
- Durability: 500 cycles

Climate

- Temperature Rating: -55° C to +125° C
- Salt Spray (Corrosion): EIA-364-26 Condition B (48 hours)
- Humidity: EIA-364-31 Method IV (except 7a & 7b)
- Thermal Vacuum Out-gassing: Passes ASTM E595

Materials

Shell: Aluminum plated with Nickel or OD Cadmium
 Insulator: PEI per Mil-Spec
 Contacts: Copper alloy, gold plating
 Epoxy: per Mil-Spec

Useable Wire Sizes

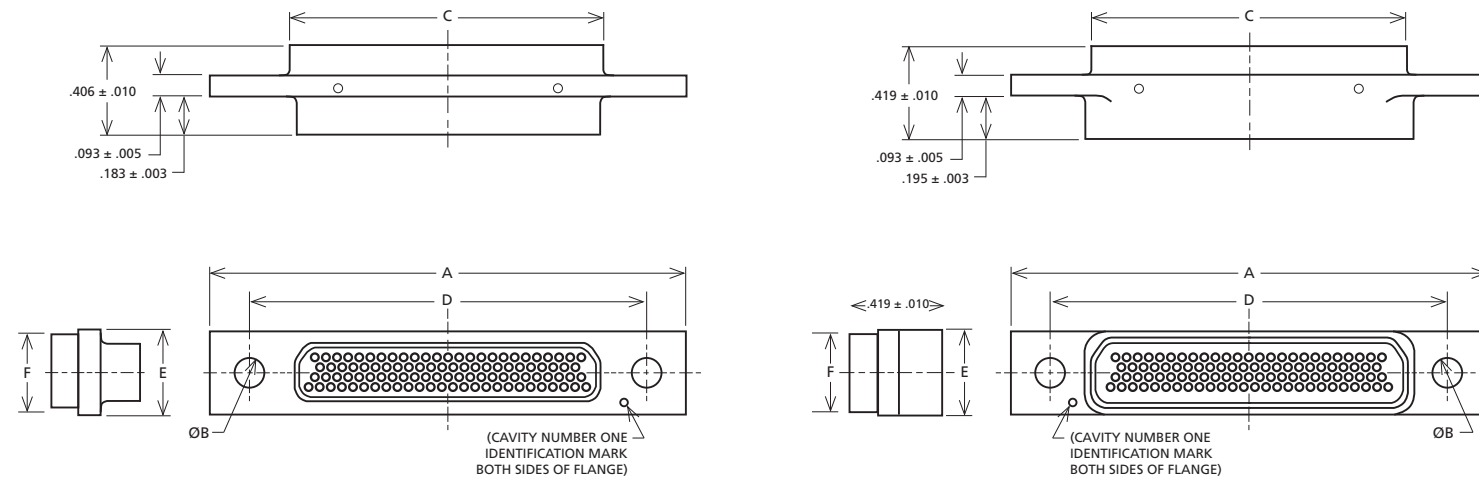
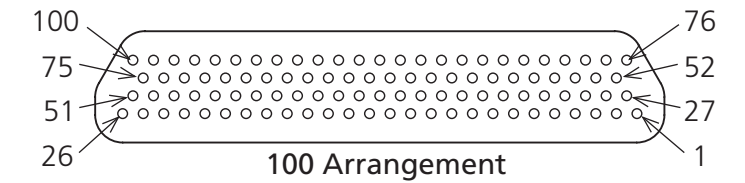
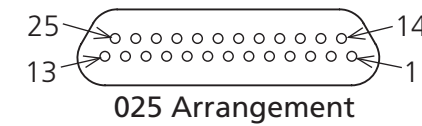
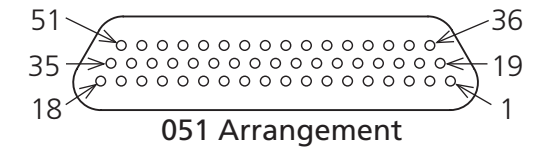
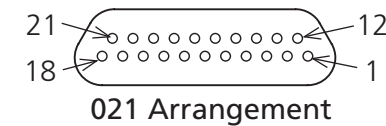
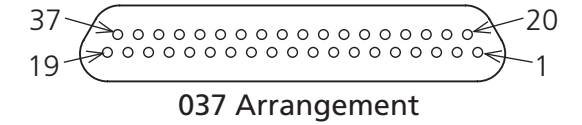
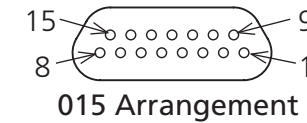
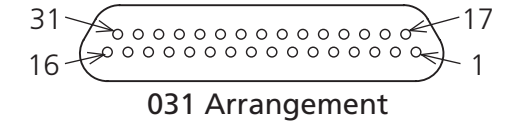
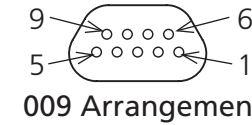
Wire sizes: 25 AWG to 26 AWG

Options

- Pre-Wired per Mil-Spec, see table for reference
- Stainless steel mounting hardware is available
- Keyed mounting hardware

Contact Arrangements – Face View Pin Connector

0.050 inch contact spacing offered in 9, 15, 21, 25, 31, 37, 51, and 100 per MIL-DTL-83513 metal class.



Shell Size	A ± .010	ØB	C ± .014	D	E ± .010	F MAX
009	0.775	.092 ± .004	0.394	0.565	0.298	0.270
015	0.925	.092 ± .004	0.544	0.715	0.298	0.270
021	1.075	.092 ± .004	0.694	0.865	0.298	0.270
025	1.175	.092 ± .004	0.794	0.965	0.298	0.270
031	1.325	.092 ± .004	0.944	1.115	0.298	0.270
037	1.475	.092 ± .004	1.094	1.265	0.298	0.270
051	1.425	.092 ± .004	1.044	1.215	0.341	0.310
100	2.160	.1475 ± .0025	1.436	1.800	0.384	0.360

Wire Types

Code	Wire Type	Length (inch)
00	None	
01	M22759/11-26-9	18
02	M22759/11-26-9	36
03	M22759/11-26-(_)	18
04	M22759/11-26-(_)	36
05	A-A-59551 Type S Gold	0.5
06	A-A-59551 Type S Gold	1.0
07	A-A-59551 Type S Tin	0.5
08	A-A-59551 Type S Tin	1.0
09	M22759/33-26-9	18
10	M22759/33-26-9	36
11	M22759/33-26-(_)	18
12	M22759/33-26-(_)	36
13	M22759/11-26-9	72
14	M22759/11-26-(_)	72
15	M22759/33-26-9	72
16	M22759/33-26-(_)	72
17	04035-26A-9	18
18	04035-26A-9	36
19	04035-26A-9	72
20	04035-26A-(_)	18
21	04035-26A-(_)	36
22	04035-26A-(_)	72
SC	Solder Cup Contacts	
PC	Printed Circuit Contacts	

Color Code Table

Per MIL-STD-681 (Contact factory for table or visit www.deutsch.net)

X-ON Electronics

Largest Supplier of Electrical and Electronic Components

Click to view similar products for [D-Sub MIL Spec Connectors](#) category:

Click to view products by [TE Connectivity](#) manufacturer:

Other Similar products are found below :

[M85049/50-5F](#) [D38999/24WG11PB-LC](#) [MDM-9SH006A](#) [1218697-4](#) [D38999/26WJ61PC L/C](#) [1484349-1](#) [17D25HV](#) [1996840-1](#) [243082-15](#)
[1757682-1](#) [17D-E51218-1](#) [17SDA15S](#) [1883533-1](#) [1883886-1](#) [1883889-1](#) [192900-0377](#) [M24308/8-347](#) [M83513/03-E09C](#) [443961-3](#) [5-](#)
[1218949-1](#) [550-031NF1R6K](#) [3-1236089-2](#) [550E001NF1R3J0L](#) [550T001NF1R6K0L](#) [557T283NF5B08](#) [DB121073-56](#) [DC121073157](#)
[443869-3](#) [443869-4](#) [443869-5](#) [550S004NF1R1B0F03](#) [557E283NF1A06](#) [527-019NF0303R2K1F](#) [5-446405-1](#) [550-031NF1R2E](#)
[550E003M2R9J0F04](#) [550E003M3R9J0F05](#) [550E024M104R9J0](#) [550E024NF102R3J0B](#) [550E039NF1R3J1-02](#) [550S003M3R9B0F05](#)
[550S004M4R7M0F04](#) [550S004NF1R1B1F02](#) [550S008M3F0K0F04](#) [550S086M5R3J0L](#) [550S100NF3F0E](#) [550T001M2R7E0L](#)
[550T001NF1F0B1L](#) [550T001NF1R1K0G](#) [550T001NF1R3K0G](#)