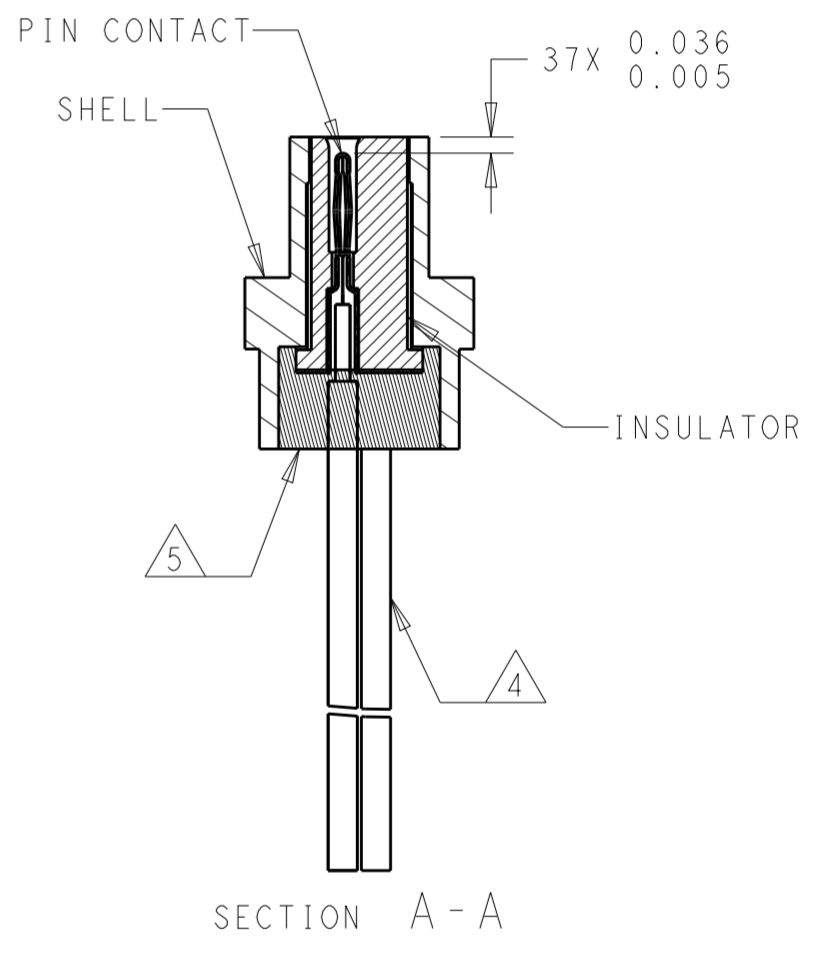
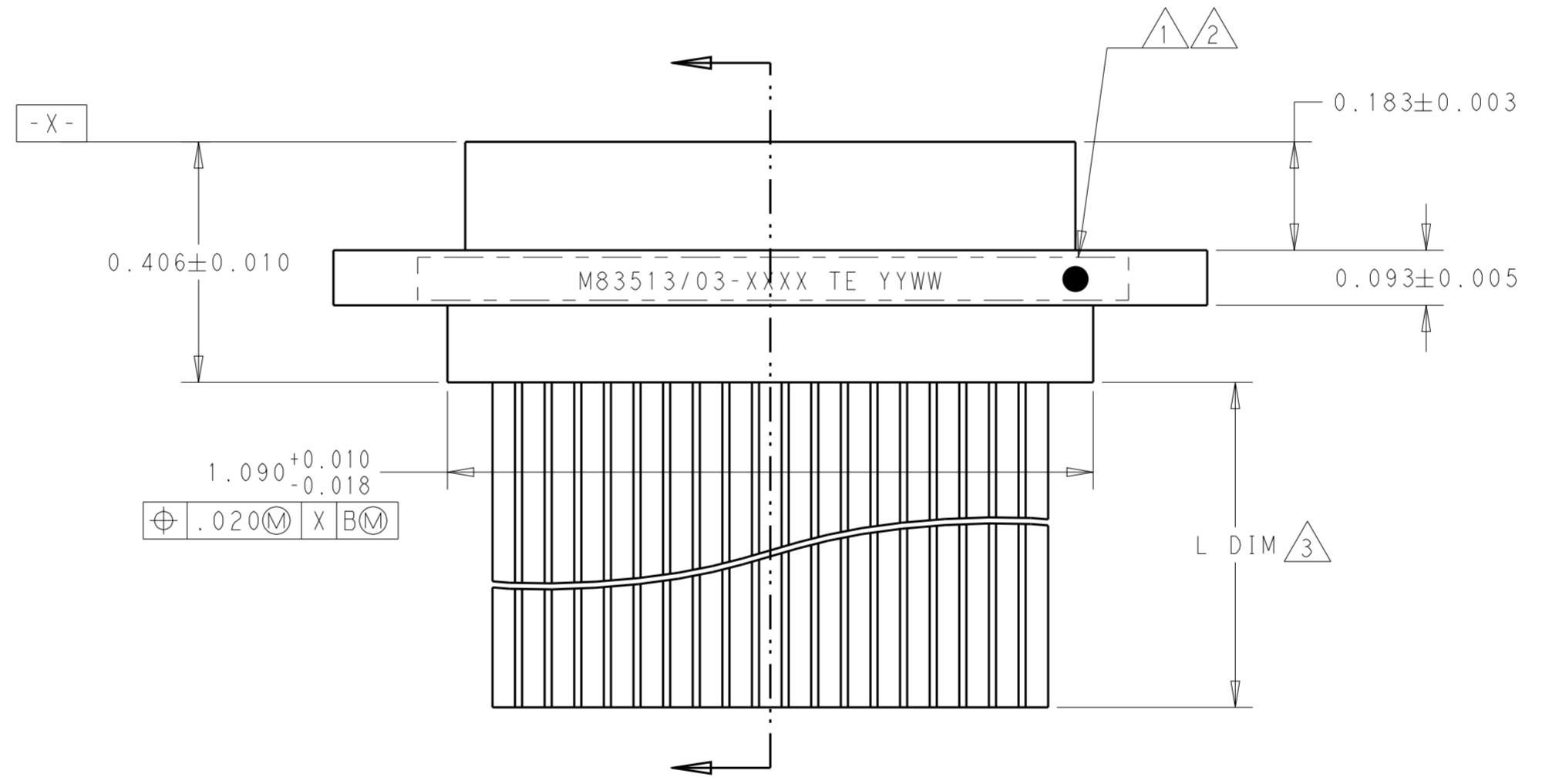
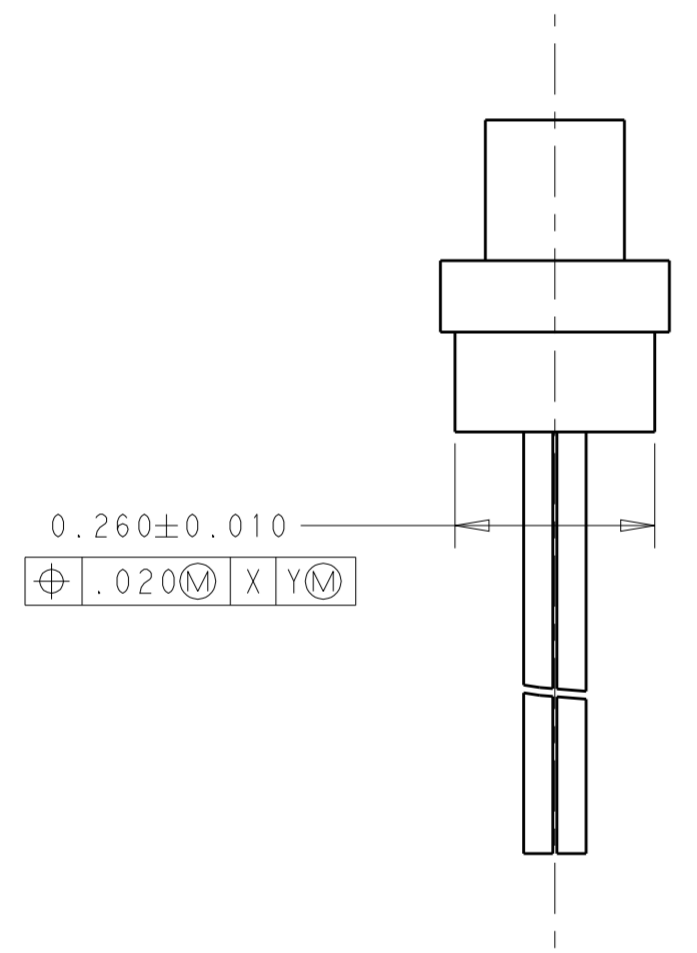
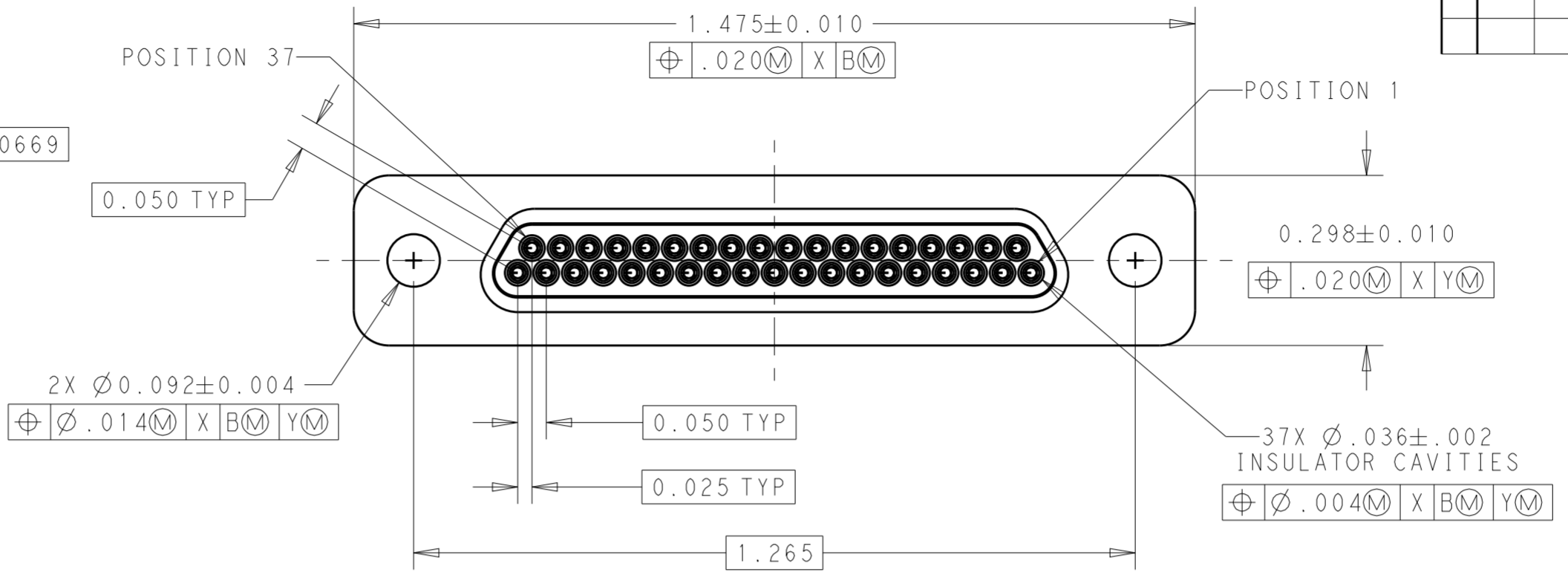
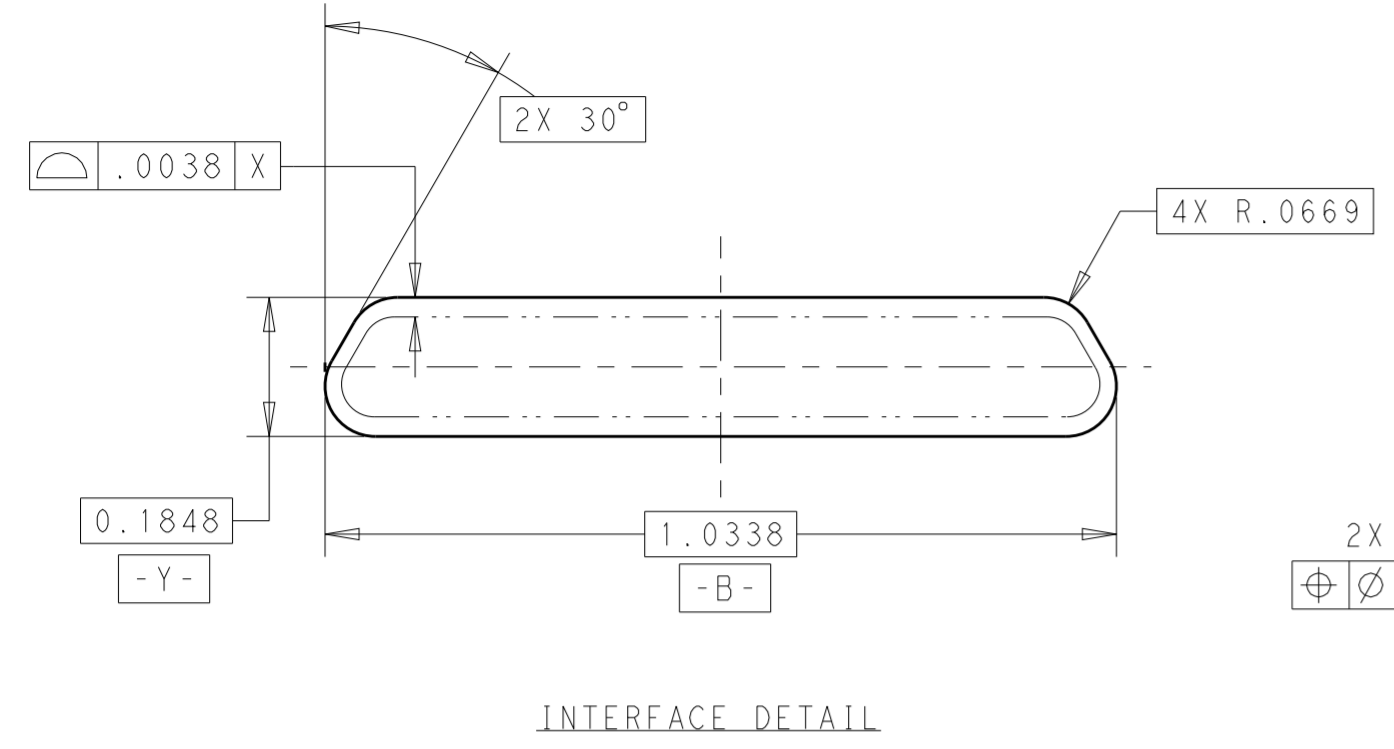


THIS DRAWING IS UNPUBLISHED. RELEASED FOR PUBLICATION 20  
 © COPYRIGHT 20 BY - ALL RIGHTS RESERVED.

REVISIONS				
P	LTR	DESCRIPTION	DATE	APVD
B		UPDATE PER ECO-16-007070	05MAY2016	DS CS



- 1 CONNECTOR SHALL BE MARKED IN ACCORDANCE WITH METHOD 1 OF MIL-STD-1285. MARKING SHALL CONTAIN THE MILITARY PIN, CAGE CODE (OR TE), AND DATE CODE. EXAMPLE: M83513/03-XXXX TE YYWW (WHERE XXXX IS PART OF THE PIN SHOWN IN THE "MIL-DTL-83513" COLUMN OF THE PART NUMBER TABLE, AND YYWW IS THE DATE CODE). TEXT HEIGHT SHALL BE .035 INCH MINIMUM.
- 2 POSITION 1 SHALL BE INDICATED BY AN IDENTIFIABLE MARK, LOCATED APPROXIMATELY AS SHOWN ON THE POSITION 1 SIDE OF THE CONNECTOR FLANGE. THIS MARK SHALL BE INCLUDED AS PART OF THE PART MARKING INFORMATION.
- 3 LENGTH IS SHOWN IN THE "L DIM" COLUMN OF THE PART NUMBER TABLE. LENGTH TOLERANCE IS +1.0/-0.0 FOR INSULATED WIRE TERMINATIONS, AND +0.20/-0.00 FOR UNINSULATED WIRE TERMINATIONS.
- 4 INSULATED WIRE IS SHOWN FOR REFERENCE ONLY. PART MAY BE TERMINATED WITH INSULATED OR UNINSULATED WIRE ACCORDING TO THE PART NUMBER TABLE.
- 5 EPOXY ENCAPSULATION. EPOXY MAY WICK .125 INCH MAX FOR INSULATED WIRE, AND .050 INCH MAX FOR UNINSULATED WIRE.
- 6 ALL DIMENSIONS AND REQUIREMENTS ARE PER MIL-DTL-83513/3.


THIS DRAWING IS A CONTROLLED DOCUMENT.		DWN B ROMANCHUK 03SEP2008	TE Connectivity	
DIMENSIONS: IN		CHK M STORRY 03SEP2008		
TOLERANCES UNLESS OTHERWISE SPECIFIED: 0 PLC ± 1 PLC ±.010 2 PLC ±.005 3 PLC ± 4 PLC ANGLES ±1° FINISH		APVD M STORRY 03SEP2008	NAME PLUG ASSEMBLY MICRO-D PER MIL-DTL-83513/03 MCKS SERIES, 37 POSITION	
MATERIAL SEE NOTES		PRODUCT SPEC APPLICATION SPEC	SIZE A298278	CAGE CODE C-1532184
		WEIGHT CUSTOMER DRAWING	SCALE 4:1	SHEET 1 OF 2
			RESTRICTED TO	REV B

THIS DRAWING IS UNPUBLISHED. RELEASED FOR PUBLICATION 20  
 © COPYRIGHT 20 BY - ALL RIGHTS RESERVED.

REVISIONS				
P	LTR	DESCRIPTION	DATE	APVD
-	-	SEE SHEET 1	-	-

TE PART NUMBER	L DIM	MIL-DTL-83513 PIN	MICRODOT P/N	MCKS DESCRIPTION
1532184-1	18	M83513/03-F01N	094-6625-0001	MCKS-N1-B-37P6G1-18.0
1532184-2	36	M83513/03-F02N	094-6625-0002	MCKS-N1-B-37P6G1-36.0
1532184-3	18	M83513/03-F03N	094-6625-0003	MCKS-N1-B-37P6G9-18.0
1532184-4	36	M83513/03-F04N	094-6625-0004	MCKS-N1-B-37P6G9-36.0
1532184-5	18	M83513/03-F09N	094-6625-0009	MCKS-N1-B-37P6Q1-18.0
1532184-6	36	M83513/03-F10N	094-6625-0010	MCKS-N1-B-37P6Q1-36.0
1532184-7	18	M83513/03-F11N	094-6625-0011	MCKS-N1-B-37P6Q9-18.0
1532184-8	36	M83513/03-F12N	094-6625-0012	MCKS-N1-B-37P6Q9-36.0
1532184-9	72	M83513/03-F13N	094-6625-0013	MCKS-N1-B-37P6G1-72.0
1-1532184-0	72	M83513/03-F14N	094-6625-0014	MCKS-N1-B-37P6G9-72.0
1-1532184-1	72	M83513/03-F15N	094-6625-0015	MCKS-N1-B-37P6Q1-72.0
1-1532184-2	72	M83513/03-F16N	094-6625-0016	MCKS-N1-B-37P6Q9-72.0
1-1532184-3	0.5	M83513/03-F05N	094-6625-0005	MCKS-N1-B-37P5L4-0.5
1-1532184-4	1.0	M83513/03-F06N	094-6625-0006	MCKS-N1-B-37P5L4-1.0
1-1532184-5	0.5	M83513/03-F07N	094-6625-0007	MCKS-N1-B-37P5L5-0.5
1-1532184-6	1.0	M83513/03-F08N	094-6625-0008	MCKS-N1-B-37P5L5-1.0
1-1532184-7	18	M83513/03-F01C	094-6635-0001	MCKS-C2-B-37P6G1-18.0
1-1532184-8	36	M83513/03-F02C	094-6635-0002	MCKS-C2-B-37P6G1-36.0
1-1532184-9	18	M83513/03-F03C	094-6635-0003	MCKS-C2-B-37P6G9-18.0
2-1532184-0	36	M83513/03-F04C	094-6635-0004	MCKS-C2-B-37P6G9-36.0
2-1532184-1	0.5	M83513/03-F05C	094-6635-0005	MCKS-C2-B-37P5L4-0.5
2-1532184-2	1.0	M83513/03-F06C	094-6635-0006	MCKS-C2-B-37P5L4-1.0
2-1532184-3	0.5	M83513/03-F07C	094-6635-0007	MCKS-C2-B-37P5L5-0.5
2-1532184-4	1.0	M83513/03-F08C	094-6635-0008	MCKS-C2-B-37P5L5-1.0
2-1532184-5	18	M83513/03-F09C	094-6635-0009	MCKS-C2-B-37P6Q1-18.0
2-1532184-6	36	M83513/03-F10C	094-6635-0010	MCKS-C2-B-37P6Q1-36.0
2-1532184-7	18	M83513/03-F11C	094-6635-0011	MCKS-C2-B-37P6Q9-18.0
2-1532184-8	36	M83513/03-F12C	094-6635-0012	MCKS-C2-B-37P6Q9-36.0
2-1532184-9	72	M83513/03-F13C	094-6635-0013	MCKS-C2-B-37P6G1-72.0
3-1532184-0	72	M83513/03-F14C	094-6635-0014	MCKS-C2-B-37P6G9-72.0
3-1532184-1	72	M83513/03-F15C	094-6635-0015	MCKS-C2-B-37P6Q1-72.0
3-1532184-2	72	M83513/03-F16C	094-6635-0016	MCKS-C2-B-37P6Q9-72.0

TE PART NUMBER	L DIM	MIL-DTL-83513 PIN	MICRODOT P/N	MCKS DESCRIPTION
3-1532184-3	18	M83513/03-F01P	094-6645-0001	MCKS-P1-B-37P6G1-18.0
3-1532184-4	36	M83513/03-F02P	094-6645-0002	MCKS-P1-B-37P6G1-36.0
3-1532184-5	18	M83513/03-F03P	094-6645-0003	MCKS-P1-B-37P6G9-18.0
3-1532184-6	36	M83513/03-F04P	094-6645-0004	MCKS-P1-B-37P6G9-36.0
3-1532184-7	0.5	M83513/03-F05P	094-6645-0005	MCKS-P1-B-37P5L4-0.5
3-1532184-8	1.0	M83513/03-F06P	094-6645-0006	MCKS-P1-B-37P5L4-1.0
3-1532184-9	0.5	M83513/03-F07P	094-6645-0007	MCKS-P1-B-37P5L5-0.5
4-1532184-0	1.0	M83513/03-F08P	094-6645-0008	MCKS-P1-B-37P5L5-1.0
4-1532184-1	18	M83513/03-F09P	094-6645-0009	MCKS-P1-B-37P6Q1-18.0
4-1532184-2	36	M83513/03-F10P	094-6645-0010	MCKS-P1-B-37P6Q1-36.0
4-1532184-3	18	M83513/03-F11P	094-6645-0011	MCKS-P1-B-37P6Q9-18.0
4-1532184-4	36	M83513/03-F12P	094-6645-0012	MCKS-P1-B-37P6Q9-36.0
4-1532184-5	72	M83513/03-F13P	094-6645-0013	MCKS-P1-B-37P6G1-72.0
4-1532184-6	72	M83513/03-F14P	094-6645-0014	MCKS-P1-B-37P6G9-72.0
4-1532184-7	72	M83513/03-F15P	094-6645-0015	MCKS-P1-B-37P6Q1-72.0
4-1532184-8	72	M83513/03-F16P	094-6645-0016	MCKS-P1-B-37P6Q9-72.0

THIS DRAWING IS A CONTROLLED DOCUMENT.		DWN B ROMANCHUK	03SEP2008	 TE Connectivity	
DIMENSIONS: IN		CHK -	-		
TOLERANCES UNLESS OTHERWISE SPECIFIED:		APVD M. STORRY	03SEP2008	NAME PLUG ASSEMBLY	
0 PLC ±		PRODUCT SPEC	-	MICRO-D PER MIL-DTL-83513/03	
1 PLC ±		APPLICATION SPEC	-	MCKS SERIES, 37 POSITION	
2 PLC ±.010		SIZE	A2	CAGE CODE	98278
3 PLC ±.005		DRAWING NO	C-1532184	RESTRICTED TO	-
4 PLC ±		WEIGHT	-	SCALE	4:1
ANGLES ±1°		CUSTOMER DRAWING	-	SHEET	2 OF 2
FINISH		-	-	REV	B

## X-ON Electronics

Largest Supplier of Electrical and Electronic Components

*Click to view similar products for [D-Sub MIL Spec Connectors](#) category:*

*Click to view products by [TE Connectivity](#) manufacturer:*

Other Similar products are found below :

[M85049/50-5F](#) [D38999/24WG11PB-LC](#) [MDM-9SH006A](#) [1218697-4](#) [D38999/26WJ61PC L/C](#) [1484349-1](#) [17D25HV](#) [1996840-1](#) [243082-15](#)  
[1757682-1](#) [17D-E51218-1](#) [17SDA15S](#) [1883533-1](#) [1883886-1](#) [1883889-1](#) [192900-0377](#) [M24308/8-347](#) [M83513/03-E09C](#) [443961-3](#) [5-](#)  
[1218949-1](#) [550-031NF1R6K](#) [3-1236089-2](#) [550E001NF1R3J0L](#) [550T001NF1R6K0L](#) [557T283NF5B08](#) [DC121073157](#) [443869-3](#) [443869-4](#)  
[443869-5](#) [550S004NF1R1B0F03](#) [557E283NF1A06](#) [527-019NF0303R2K1F](#) [5-446405-1](#) [550-031NF1R2E](#) [550E003M2R9J0F04](#)  
[550E003M3R9J0F05](#) [550E024M104R9J0](#) [550E024NF102R3J0B](#) [550E039NF1R3J1-02](#) [550S003M3R9B0F05](#) [550S004M4R7M0F04](#)  
[550S004NF1R1B1F02](#) [550S008M3F0K0F04](#) [550S086M5R3J0L](#) [550S100NF3F0E](#) [550T001M2R7E0L](#) [550T001NF1F0B1L](#)  
[550T001NF1R1K0G](#) [550T001NF1R3K0G](#) [550T001NF1R4K0L](#)