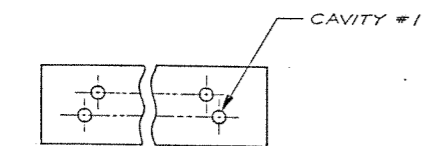
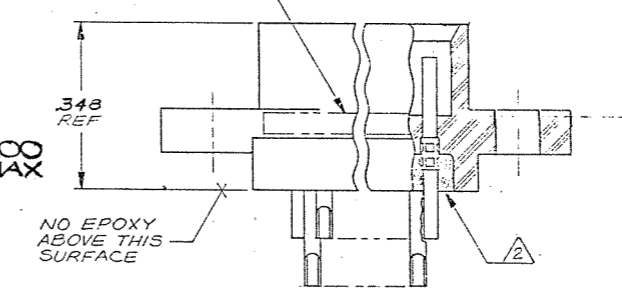
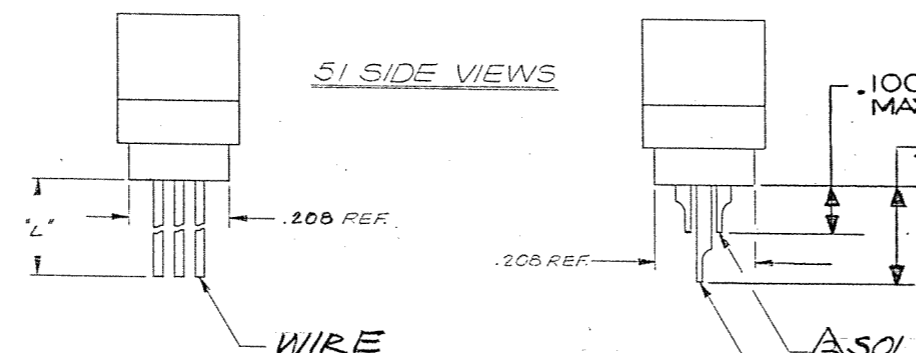
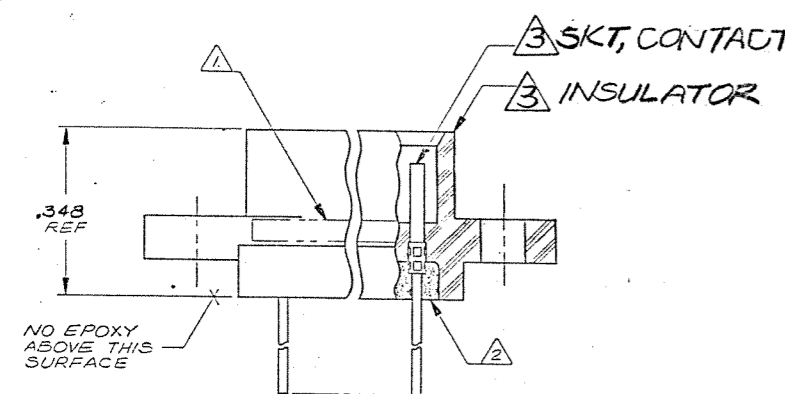
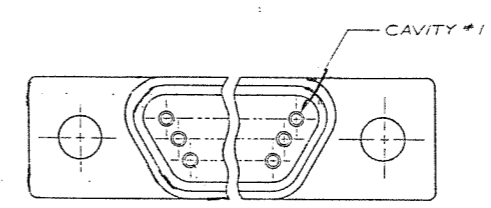
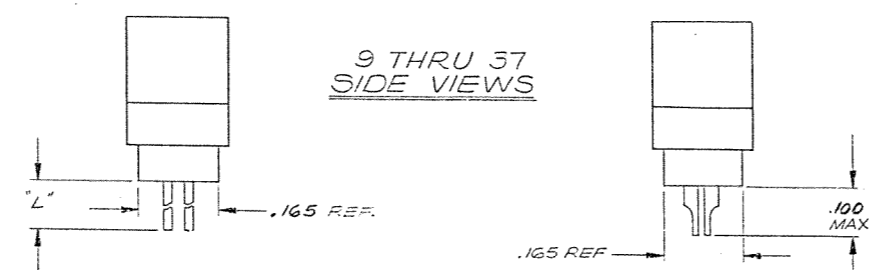
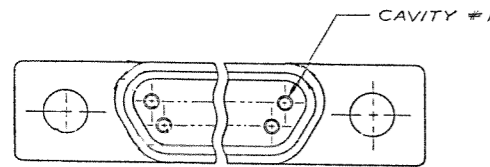


8 7 6 5 4 3 2 1

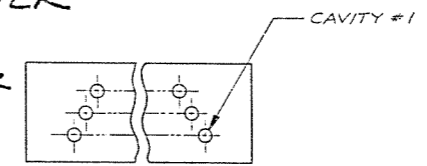
REVISIONS					
ZONE	LTR	ECN	DESCRIPTION	DATE	APPROVED
B		27054	NEW RELEASE	1/15/93	[Signature]

C Combine M & CD Dwg



9 THRU 37 CONFIGURATION

3 SOLDER POT-ADAPTER (SHORT)  
3 USED ON 51 ONLY SOLDER POT-ADAPTER (LONG)



51 CONFIGURATION

(SHOW WITH SOLDER POT TERMINATIONS FOR REFERENCE ONLY. WIRE TERMINATIONS ARE THE SAME CONFIGURATION)

NOTES: UNLESS OTHERWISE SPECIFIED

1 MARK "MALCO" OR MALCO LOGO, MILITARY PART NO. (e.g. M53513/07-\*)  
CODE IDENT. NO. & DATE CODE WITH .041 MIN HIGH CHARACTERS  
IN APPROXIMATE LOCATION SHOWN.

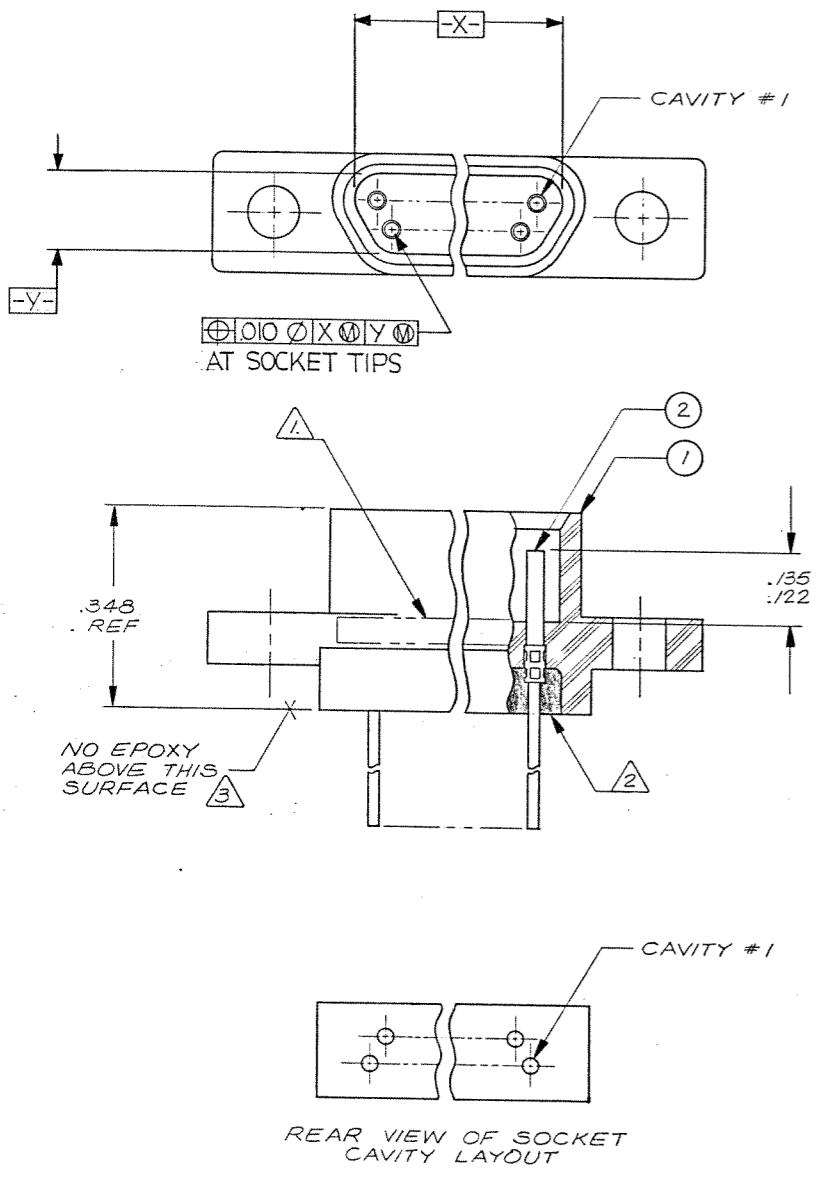
2 EPOXY USING HYSOL # 4215 & 3561.

3 SOLDER POT: MATL: BRASS PER QQ-B-626, COMP 360, 1/2 HARD  
FINISH: COPPER ALLOY/GOLD PLATED  
SKT. CONTACT: MATL: COPPER ALLOY/GOLD PLATED  
HOUSING: MATL: (R3) POLYPHENYLENE SULFIDE RYTON RA-04  
(BR-68) PER MIL-M-24519, COLOR BROWN.

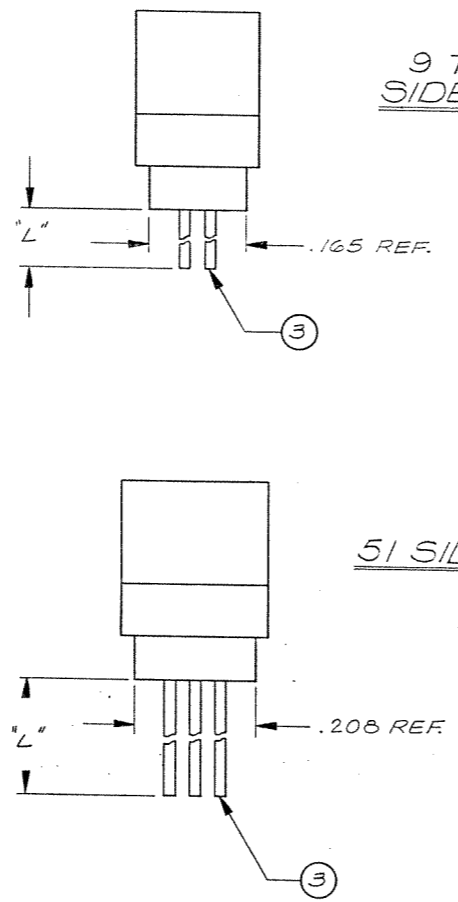
Tyco Customer Drawing 1-1532149-5

QTY REQD	CODE IDENT	PART OR IDENTIFYING NO.	NOMENCLATURE OR DESCRIPTION
PARTS LIST			
UNLESS OTHERWISE SPECIFIED DIMENSIONS ARE IN INCHES TOLERANCES ARE: FRACTIONS DECIMALS ANGLES ± .XX ± ± ± .XXX ± ±		CONTRACT NO.	MALCO A MICRODOT COMPANY, INC. 306 PASADENA AVE., SO. PASADENA, CALIF. 91030
MATERIAL		APPROVALS	DATE
FINISH		CHECKED	1/15/93
NEXT ASSY USED ON		PR. ENG.	7-5-92
APPLICATION		APP'D.	
DO NOT SCALE DRAWING		<p>These drawings and specifications are the property of Microdot Inc. and shall remain in whole or in part the property of Microdot Inc. for the manufacture or sale of any article without written permission of Microdot Inc.</p>	
SCALE NONE		SIZE	CODE IDENT NO. DRAWING NO.
		D	98278 095-0000-0446
		PROD CODE 824 CODE CD	
		RACK & PANEL CONNECTOR, RCPT. MCD PER MIL-C-83513	
		SHEET / OF /	

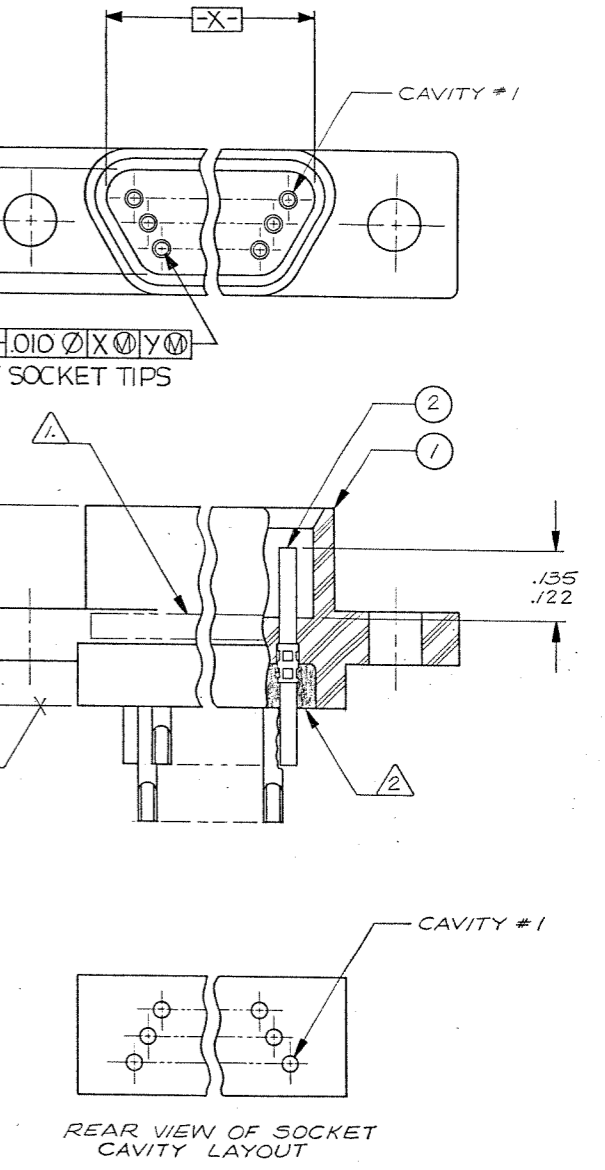
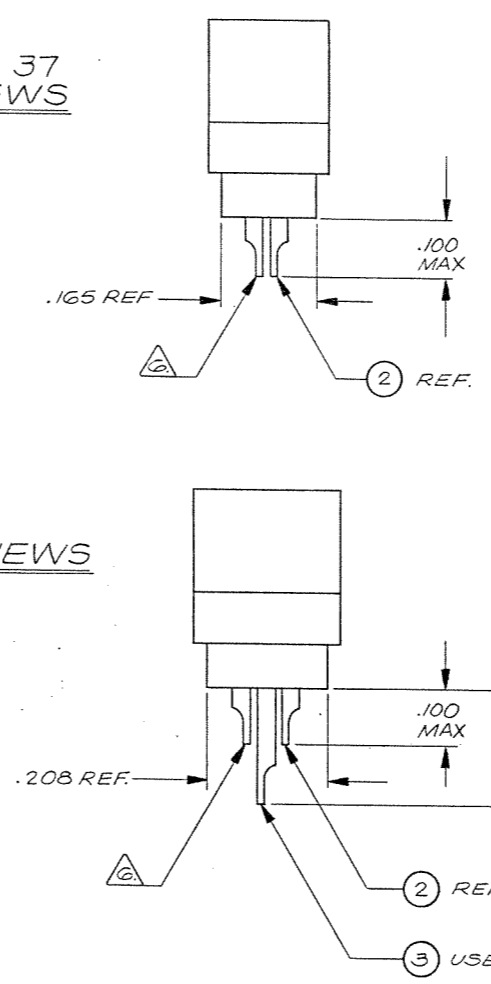
8 7 6 5 4 3 2 1



9 THRU 37 CONFIGURATION



51 CONFIGURATION



51 CONFIGURATION

(SHOW WITH SOLDER POT TERMINATIONS FOR REFERENCE ONLY. WIRE TERMINATIONS ARE THE SAME CONFIGURATION)

NOTES: UNLESS OTHERWISE SPECIFIED

- 1. MARK "MALCO" OR MALCO LOGO, MILITARY PART NO. (e.g. M83513/07-\*), CODE IDENT. NO., & DATE CODE WITH .047 MIN HIGH CHARACTERS IN APPROXIMATE LOCATION SHOWN.
- 2. EPOXY USING HYSOL # 4215 & 3561.
- 3. EPOXY WICKING - UNINSULATED WIRE .050 MAX. INSULATED WIRE UP TO # 25 AWG .125 MAX. INSULATED WIRE # 24 AWG OR LARGER - .200 MAX.
- 4. CRIMP LEADS OR SOLDER POTS INTO CONTACTS PER MEP 302-05.
- 5. NO SCRATCHES SHOWING BASE METAL PERMITTED ON SOLDER POTS.
- 6. CHAMFER ON SOLDER POTS ARE TO BE PARALLEL WITH SIDES OF CONNECTOR WITHIN 10 DEGREES.

Tyco Customer Drawing 1-1532149-5

QTY REQD	CODE IDENT	PART OR IDENTIFYING NO.	NOMENCLATURE OR DESCRIPTION
PARTS LIST			
UNLESS OTHERWISE SPECIFIED DIMENSIONS ARE IN INCHES TOLERANCES ARE:		CONTRACT NO.	
FRACTIONS	DECIMALS	ANGLES	
±	.XX ±	±	
	.XXX ±		
MATERIAL		APPROVALS	DATE
		DRAWN G. SAUER	5-17-82
		CHECKED G. SAUER	5-18-82
		PR. ENG. W. S. J.	5-18-82
		APPD.	
FINISH		MALCO A MICRODOT COMPANY, INC. 306 PASADENA AVE., SO. PASADENA, CALIF. 91030	
		RACK & PANEL CONNECTOR, RCPT. MCD PER MIL-C-83513	
		SIZE	CODE IDENT NO. DRAWING NO.
		D	98278 095-0000-0446
NEXT ASSY USED ON		PROD. CODE 824 CODE M	
APPLICATION		SCALE NONE SHEET / OF /	
		DO NOT SCALE DRAWING	

## X-ON Electronics

Largest Supplier of Electrical and Electronic Components

*Click to view similar products for [D-Sub MIL Spec Connectors](#) category:*

*Click to view products by [TE Connectivity](#) manufacturer:*

Other Similar products are found below :

[M85049/50-5F](#) [850-056-0812](#) [1218697-4](#) [1484349-1](#) [17D25HV](#) [1996840-1](#) [243082-15](#) [1757682-1](#) [17D-E51218-1](#) [17SDA15S](#) [1883533-1](#)  
[1883886-1](#) [1883889-1](#) [192900-0377](#) [M24308/8-347](#) [M83513/03-E09C](#) [443961-3](#) [5-1218949-1](#) [550-031NF1R6K](#) [3-1236089-2](#)  
[550E001NF1R3J0L](#) [550T001NF1R6K0L](#) [557T283NF5B08](#) [DB121073-56](#) [DC121073157](#) [443869-3](#) [443869-4](#) [443869-5](#)  
[550S004NF1R1B0F03](#) [557E283NF1A06](#) [527-019NF0303R2K1F](#) [5-446405-1](#) [550-031NF1R2E](#) [550E003M2R9J0F04](#) [550E003M3R9J0F05](#)  
[550E024M104R9J0](#) [550E024NF102R3J0B](#) [550E039NF1R3J1-02](#) [550S003M3R9B0F05](#) [550S004M4R7M0F04](#) [550S004NF1R1B1F02](#)  
[550S008M3F0K0F04](#) [550S086M5R3J0L](#) [550S100NF3F0E](#) [550T001M2R7E0L](#) [550T001NF1F0B1L](#) [550T001NF1R1K0G](#)  
[550T001NF1R3K0G](#) [550T001NF1R4K0L](#) [550T001NF2R2K0L](#)