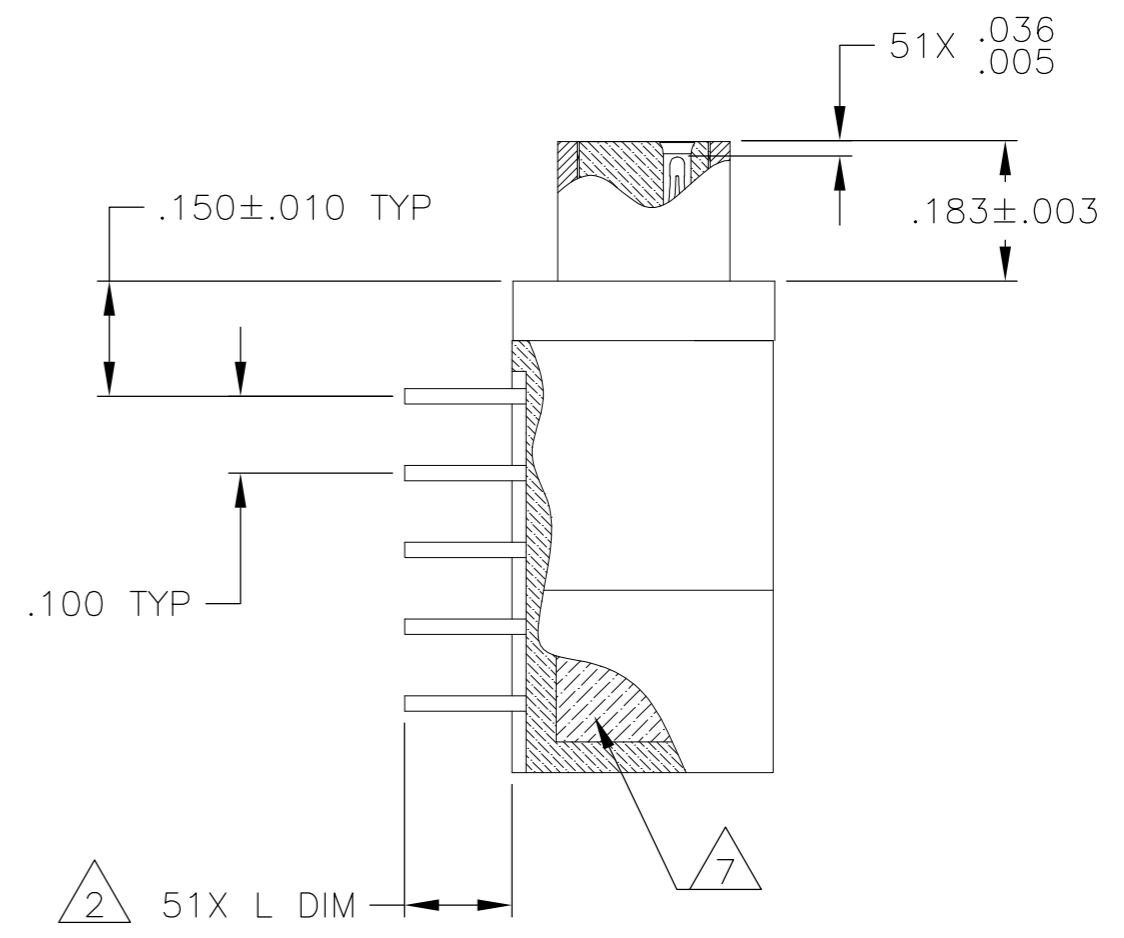
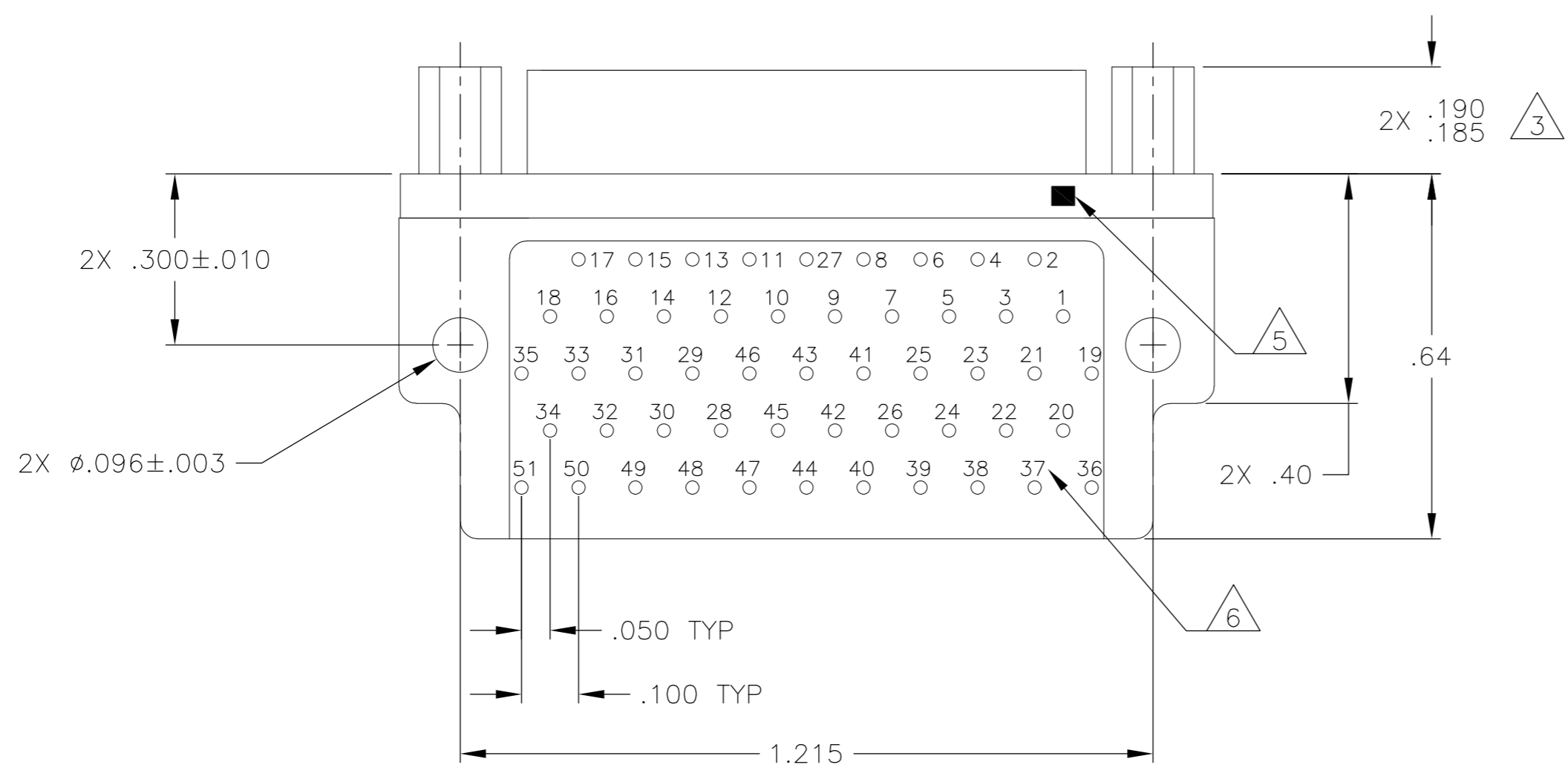
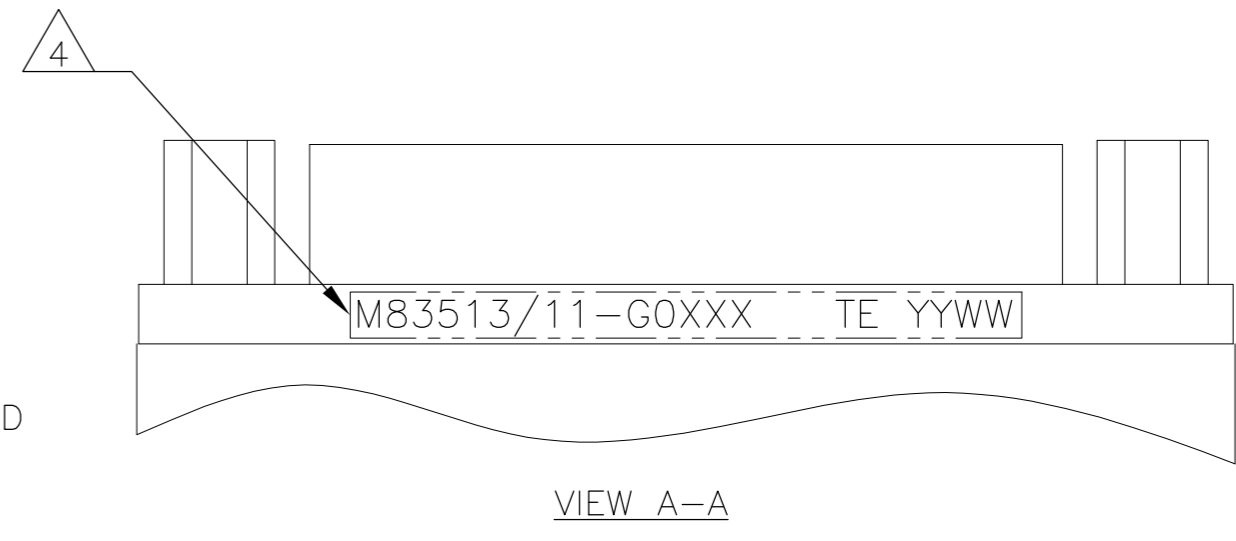
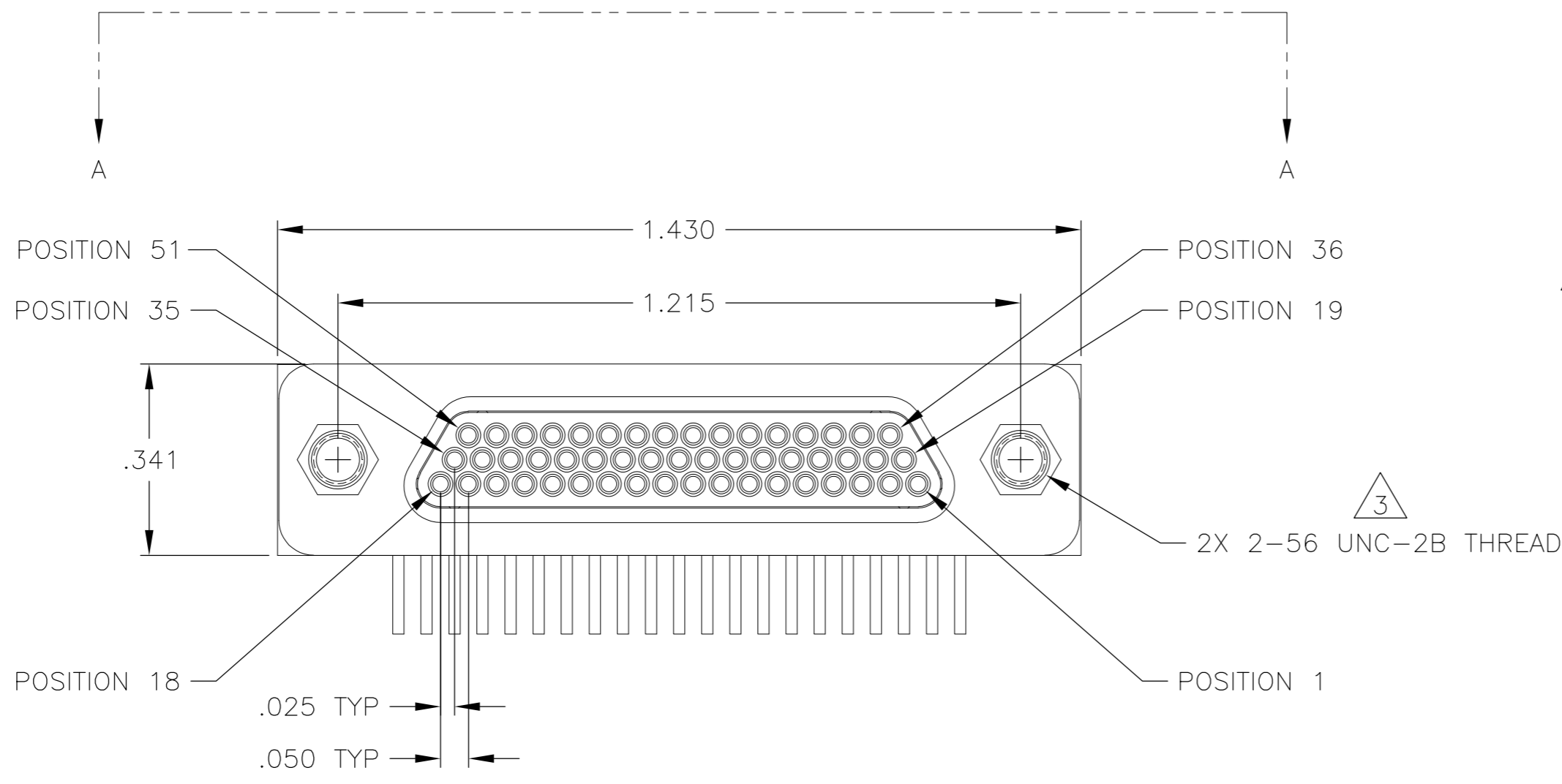


THIS DRAWING IS UNPUBLISHED. RELEASED FOR PUBLICATION  
 © COPYRIGHT - By - ALL RIGHTS RESERVED.

LOC		DIST		REVISIONS			
P	LTR	DESCRIPTION		DATE	DWN	APVD	
	A	INITIAL RELEASE		2 JUL 12	CAS	MKS	



SEE SHEET 2 FOR NOTES


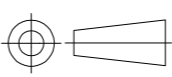
THIS DRAWING IS A CONTROLLED DOCUMENT.		DWN C SCHOLL 2 JUL 12				
DIMENSIONS: INCHES		CHK M STORRY 2 JUL 12				
TOLERANCES UNLESS OTHERWISE SPECIFIED:		APVD M STORRY 2 JUL 12	NAME PLUG ASSEMBLY, MCKS, RT1 RIGHT ANGLE, PCB MOUNT, 3 ROW, SIZE 51, PER MIL-DTL-83513/11			
0 PLC ± - 1 PLC ± - 2 PLC ± .010 3 PLC ± .005 4 PLC ± - ANGLES ± 1°		PRODUCT SPEC APPLICATION SPEC	SIZE A2	CAGE CODE 98278	DRAWING NO 1532256	RESTRICTED TO -
MATERIAL SEE NOTES		FINISH SEE NOTES	WEIGHT -	SCALE 4:1	SHEET 1 OF 2	REV A
CUSTOMER DRAWING						

THIS DRAWING IS UNPUBLISHED. RELEASED FOR PUBLICATION  
 © COPYRIGHT - By - ALL RIGHTS RESERVED.

LOC		DIST		REVISIONS			
P	LTR	DESCRIPTION	DATE	DWN	APVD		
-	-	SEE SHEET 1	-	-	-		

TE PART NUMBER	MIL-DTL-83513 PIN	MCKS DESCRIPTION	SHELL FINISH $\triangle 1$	HARDWARE $\triangle 3$	L DIM $\pm .015$
1532256-1	M83513/11-G01CN	MCKS-C2-B-51PRT1	CADMIUM	NONE	.109
1532256-2	M83513/11-G01CP	MCKS-C2-P-51PRT1	CADMIUM	JACKPOSTS	.109
1532256-3	M83513/11-G01NN	MCKS-N1-B-51PRT1	NICKEL	NONE	.109
1532256-4	M83513/11-G01NP	MCKS-N1-P-51PRT1	NICKEL	JACKPOSTS	.109
1532256-5	M83513/11-G02CN	MCKS-C2-B-51PRT1A	CADMIUM	NONE	.140
1532256-6	M83513/11-G02CP	MCKS-C2-P-51PRT1A	CADMIUM	JACKPOSTS	.140
1532256-7	M83513/11-G02NN	MCKS-N1-B-51PRT1A	NICKEL	NONE	.140
1532256-8	M83513/11-G02NP	MCKS-N1-P-51PRT1A	NICKEL	JACKPOSTS	.140
1532256-9	M83513/11-G03CN	MCKS-C2-B-51PRT1B	CADMIUM	NONE	.172
1-1532256-0	M83513/11-G03CP	MCKS-C2-P-51PRT1B	CADMIUM	JACKPOSTS	.172
1-1532256-1	M83513/11-G03NN	MCKS-N1-B-51PRT1B	NICKEL	NONE	.172
1-1532256-2	M83513/11-G03NP	MCKS-N1-P-51PRT1B	NICKEL	JACKPOSTS	.172

- $\triangle 1$  SHELL MATERIAL: 6061-T6 ALUMINUM  
 FINISH OPTIONS:  
 ELECTROLESS NICKEL PLATED PER SAE-AMS-C-26074 OR SAE AMS 2404 OR CADMIUM PLATED PER SAE-AMS-QQ-P-416 WITH YELLOW CHROMATE  
 INSULATOR: LIQUID CRYSTAL POLYMER (LCP)  
 HARDWARE: 300 SERIES STAINLESS STEEL  
 TB BOX: POLYPHENYLENE SULFIDE (PPS) AND EPOXY POTTING
- $\triangle 2$  TERMINATION: 24AWG GOLD PLATED COPPER WIRE, Sn63Pb37 SOLDER DIPPED UP TO MOUNTING SURFACE AT A MINIMUM
- $\triangle 3$  JACKPOST HARDWARE SHALL BE PERMANENTLY INSTALLED AS SHOWN WHEN REQUIRED BY THE MIL PIN. JACKPOST DIMENSIONS AND REQUIREMENTS ARE DEFINED IN MIL-DTL-83513/5.
- $\triangle 4$  CONNECTOR SHALL BE MARKED IN ACCORDANCE WITH METHOD I OF MIL-STD-1285. MARKING SHALL CONTAIN THE MILITARY PIN, CAGE CODE (OR TE), AND DATE CODE. EXAMPLE: M83513/11-GOXXX TE YYWW (WHERE XXX IS PART OF THE PIN SHOWN IN THE "MIL-DTL-83513 PIN" COLUMN OF THE PART NUMBER TABLE, AND YYWW IS THE DATE CODE). THE MARKING MUST BE PRINTED ON THE FLANGE. TEXT HEIGHT SHALL BE .035 INCH MINIMUM.
- $\triangle 5$  POSITION 1 SHALL BE INDICATED BY AN IDENTIFIABLE MARK, LOCATED APPROXIMATELY AS SHOWN ON THE POSITION 1 SIDE OF THE CONNECTOR FLANGE. THIS MARK SHALL BE INCLUDED AS PART OF THE PART MARKING INFORMATION.
- $\triangle 6$  TERMINAL IDENTIFICATION NUMBERS AS SHOWN DO NOT ACTUALLY APPEAR ON THE PART (FOR IDENTIFICATION ONLY)
- $\triangle 7$  EPOXY ENCAPSULATION
- 8 ALL REQUIREMENTS CONFORM TO MIL-DTL-83513/11. SEE MIL-SPEC FOR DETAILED INTERFACE DIMENSIONS AND SUGGESTED PCB LAYOUTS

THIS DRAWING IS A CONTROLLED DOCUMENT.		DWN C SCHOLL	2 JUL 12	 TE Connectivity	
DIMENSIONS: INCHES		CHK -	-		
TOLERANCES UNLESS OTHERWISE SPECIFIED:		APVD M STORRY	2 JUL 12	NAME PLUG ASSEMBLY, MCKS, RT1 RIGHT ANGLE, PCB MOUNT, 3 ROW, SIZE 51, PER MIL-DTL-83513/11	
		PRODUCT SPEC -	-	SIZE A2	
MATERIAL SEE NOTES		APPLICATION SPEC -	-	CAGE CODE 98278	DRAWING NO 1532256
FINISH SEE NOTES		WEIGHT -	-	RESTRICTED TO -	SCALE 4:1
CUSTOMER DRAWING			SHEET 2 of 2	REV A	

## X-ON Electronics

Largest Supplier of Electrical and Electronic Components

*Click to view similar products for [D-Sub MIL Spec Connectors](#) category:*

*Click to view products by [TE Connectivity](#) manufacturer:*

Other Similar products are found below :

[M85049/50-5F](#) [850-056-0812](#) [1218697-4](#) [1484349-1](#) [17D25HV](#) [1996840-1](#) [243082-15](#) [1757682-1](#) [17D-E51218-1](#) [17SDA15S](#) [1883533-1](#)  
[1883886-1](#) [1883889-1](#) [192900-0377](#) [M24308/8-347](#) [M83513/03-E09C](#) [443961-3](#) [5-1218949-1](#) [550-031NF1R6K](#) [3-1236089-2](#)  
[550E001NF1R3J0L](#) [550T001NF1R6K0L](#) [557T283NF5B08](#) [DB121073-56](#) [DC121073157](#) [443869-3](#) [443869-4](#) [443869-5](#)  
[550S004NF1R1B0F03](#) [557E283NF1A06](#) [527-019NF0303R2K1F](#) [5-446405-1](#) [550-031NF1R2E](#) [550E003M2R9J0F04](#) [550E003M3R9J0F05](#)  
[550E024M104R9J0](#) [550E024NF102R3J0B](#) [550E039NF1R3J1-02](#) [550S003M3R9B0F05](#) [550S004M4R7M0F04](#) [550S004NF1R1B1F02](#)  
[550S008M3F0K0F04](#) [550S086M5R3J0L](#) [550S100NF3F0E](#) [550T001M2R7E0L](#) [550T001NF1F0B1L](#) [550T001NF1R1K0G](#)  
[550T001NF1R3K0G](#) [550T001NF1R4K0L](#) [550T001NF2R2K0L](#)