

MSD INC.

ENGINEERING DATA SHEET

RELAY TYPE: FCB-405-0619M / COMPUTER PART No.: 9364522

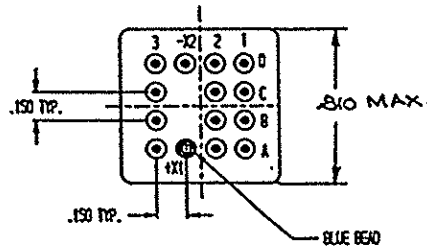
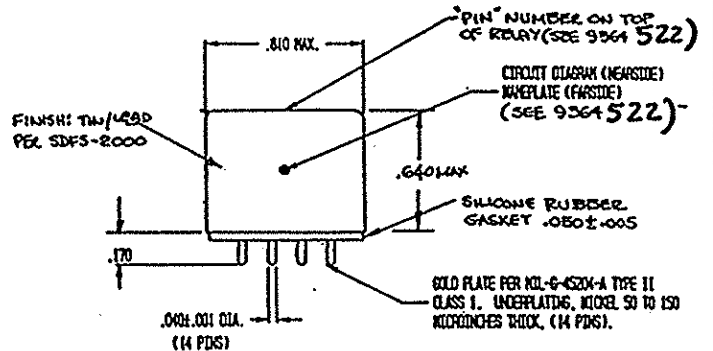
TEST PROCEDURE

CUSTOMER/SPECIFICATION: M83536/6-019 M / REV NONE

MSDP-790

TEST REQUIREMENTS

COIL RES.: $\pm 10\%$ 400 OHMS OPERATE TIME: 6mS MAX RELEASE TIME: 6mS MAX
 CONTACT MAKE BOUNCE: 1mS MAX N.O. BREAK BOUNCE: 0.1 mS MAX
 CONTACT STABILIZATION TIME: 2.5 mS MAX RATED COIL VOLTAGE: 28Vdc
 CONTACT RES.: MFG TEST: .040 OHMS @ 10mA - 6Vdc FINAL TEST: .050 OHMS @ 10mA - 6Vdc
 CONTACT VOLTAGE DROP: FINAL TEST: .100V MAX @ 5A - 6Vdc
 HI-POT: 1000 Vrms ALL POINTS
 INSULATION RESISTANCE: 100 MEGOHMS MIN @ 500 Vdc
 VIBRATION: MIL-STD-202, METHOD 204 (30G'S / 100-3000HZ)
 SEAL TEST: 1×10^{-8} MAX LEAK RATE COIL TRANSIENT SUPPRESSION: 42 Vdc MAG
 OTHER: _____



GASKET NOT SHOWN IN THIS VIEW
 TERMINAL NUMBERS APPEAR ON CIRCUIT DIAGRAM,
 BUT NOT ON ACTUAL RELAY HEADER.

Prepared By: Date		Approved By: Date	
LES WYNNE 5-15-96			
Rev	ECN No.	Date	
A	96-065	5-15-96	

SPECIAL INSTRUCTIONS

X-ON Electronics

Largest Supplier of Electrical and Electronic Components

Click to view similar products for [General Purpose Relays](#) category:

Click to view products by [TE Connectivity](#) manufacturer:

Other Similar products are found below :

[PCN-105D3MH,000](#) [59641F200](#) [LY1SAC110120](#) [5X827E](#) [5X837F](#) [5X840F](#) [5X842F](#) [5X848E](#) [LY2N-AC120](#) [LY2S-AC220/240](#) [LY2-US-AC120](#) [LY3-US-AC120](#) [LY4F-UA-DC12](#) [LY4F-UA-DC24](#) [LY4F-US-AC120](#) [LY4F-US-AC240](#) [LY4F-US-DC24](#) [LY4F-VD-AC110](#) [LYQ20DC12](#) [M115C60](#) [M115N010](#) [M115N0150](#) [6031007G](#) [603-12D](#) [61211T0B4](#) [61212T400](#) [61222Q400](#) [61243B600](#) [61243C500](#) [61243Q400](#) [61311BOA2](#) [61311BOA6](#) [61311BOA8](#) [61311C0A2](#) [61311COA1](#) [61311COA6](#) [61311F0A2](#) [61311QOA1](#) [61311QOA4](#) [61311T0D6](#) [61311TOA6](#) [61311TOA7](#) [61311TOB3](#) [61311TOB4](#) [61311U0A6](#) [61312Q600](#) [61312T400](#) [61312T600](#) [61313U200](#) [61313U400](#)