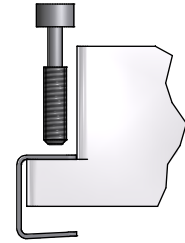
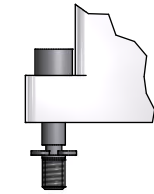


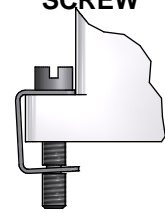
**HARDWARE OPTION  
RH - HEX SOCKET  
RETRACTABLE SCREW**



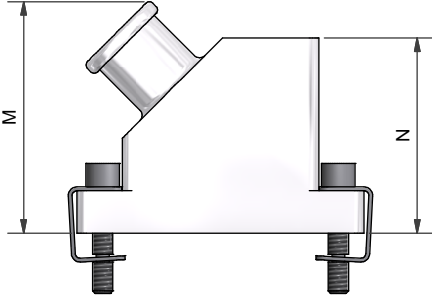
**HARDWARE OPTION  
HE - HEX SOCKET SCREW  
WITH E-CLIP**



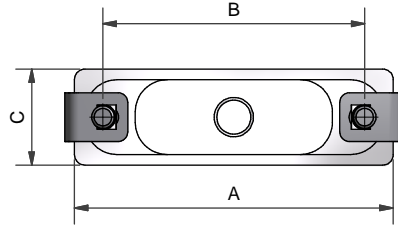
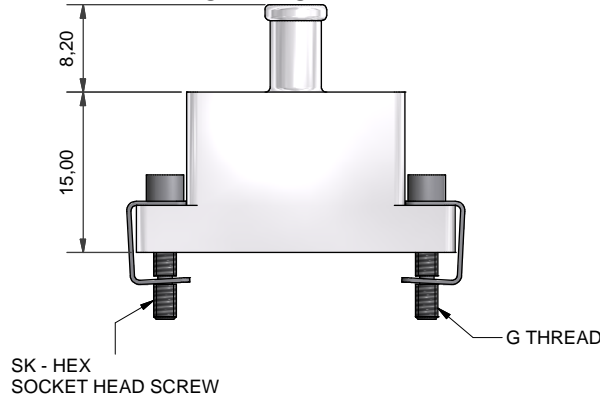
**HARDWARE OPTION  
SL - SLOTTED HEAD  
SCREW**



**STYLE F**



**STYLE U**



**MBMM-U-25-02-1-C-HE**

SERIES  
ENTRY POSITION (U - TOP ENTRY)  
SHELL SIZE  
ENTRY SIZE  
MATERIAL  
FINISH  
OPTIONAL HARDWARE CONFIGURATION  
(RH - RETRACTABLE HEX SOCKET HEAD)  
(HE - HEX SOCKET HEAD AND E-CLIP)  
(SL - SLOTTED HEAD JACKSCREW)  
(SK - SOCKET HEAD JACKSCREW)

SHELL SIZE	A	B	C	G THREAD	M MAX	N	MAX ENTRY
09	19,68	14,35	9,0	2-56UNC	25,4	16,5	04
15	23,50	18,16	9,0	2-56UNC	26,2	17,8	05
21	27,30	21,97	9,0	2-56UNC	26,7	18,7	06
25	29,84	24,51	9,0	2-56UNC	27,7	20,3	07
31	33,66	28,32	9,0	2-56UNC	28,7	21,8	07
37	37,46	32,13	9,0	2-56UNC	31,2	23,5	08
51	36,20	30,86	10,0	2-56UNC	31,8	24,8	08
100	54,86	45,72	11,0	4-40UNC	33,5	26,7	11

ENTRY SIZE	D	E	F
01	1,58	-	-
02	3,18	-	-
03	4,77	-	-
04	6,35	-	-
05	-	10,8	5,8
06	-	15,2	5,8
07	-	20,1	5,8
08	-	22,8	6,8
11	-	35,8	8,4

CODE	MATERIAL / PLATING
1-C	ALUMINIUM / ELECTROLESS NICKEL
1-B	ALUMINIUM / CADMIUM OLIVE DRAB OVER ELECTROLESS NICKEL
1-ZB	ALUMINIUM / ZINC COBALT OLIVE DRAB OVER ELECTROLESS NICKEL
4-J	STAINLESS STEEL / PASSIVATE
2-Z	NICKEL ALUMINIUM BRONZE / SHOT BLAST

LIST NOT EXHAUSTIVE, FOR COMPREHENSIVE LIST AND SPECS, SEE WEBSITE

**CUSTOMER APPROVAL**

COMPANY	NAME	SIGNATURE	DATE

ORDERS CANNOT BE PLACED AGAINST ALPHA ISSUED DRAWINGS.  
ON RECEIPT OF CUSTOMER APPROVAL, THE DRAWING STATUS WILL BE RAISED TO ISSUE 1.

<b>DRAWN</b>	DIW	DATE	07/01/2016	<p>3RD ANGLE PROJECTION NOT TO SCALE</p>	<p><b>PART NUMBER:</b></p> <p><b>MBMM SERIES</b></p>	<p>Polamco</p>
<b>SALES APPR</b>	MXF	DATE	07/01/2016			
<b>DESIGN APPR</b>						
<b>PROD APPR</b>						
<b>QUAL APPR</b>				<p>UNLESS OTHERWISE SPECIFIED ALL DIMENSIONS IN MILLIMETRES</p> <p><b>GENERAL TOL</b></p> <p>LINEAR +/-0.25MM</p> <p>ANGULAR +/- 1°</p>	<p><b>TITLE:</b></p> <p><b>MICRO MIN MICRO BAND BACKSHELL</b></p>	<p>TE connectivity</p>
<b>ISSUE</b>	REV.	DCR	---	<p><b>MATERIAL</b></p> <p>SEE PART NUMBER BREAKDOWN</p>	<p><b>ASSY USED ON: MIL-DTL-83513</b></p>	
<b>C</b>				<p><b>FINISH</b></p> <p>SEE PART NUMBER BREAKDOWN</p>	<p>THIS DRAWING IS COPYRIGHT AND THE PROPERTY OF POLAMCO LTD IT MUST NOT BE COPIED, USED FOR MANUFACTURE OR OTHERWISE DISCLOSED WITHOUT PRIOR WRITTEN CONSENT OF THE COMPANY.</p>	
NCAGE CODE	U5792	WEIGHT	---	<p>POLAMCO LTD, WESTON LOCK, LOWER BRISTOL ROAD BATH BA2 1EP</p>	<p>SHT</p> <p>1</p>	

## X-ON Electronics

Largest Supplier of Electrical and Electronic Components

*Click to view similar products for [D-Sub Backshells](#) category:*

*Click to view products by [TE Connectivity](#) manufacturer:*

Other Similar products are found below :

[600X54009X](#) [M85049/6-38N](#) [M85049/86-12N03](#) [M85049/90-13P03](#) [70.350.0636.4](#) [70.350.2435.1](#) [72.350.1035.2](#) [72.352.2435.1](#)  
[73.359.4035.3](#) [829472-1](#) [PCS-E20W](#) [970-015-040R011](#) [971-009-030R121](#) [971-009-040R011](#) [971-015-040R011](#) [DPH-B-003](#) [1437013-9](#)  
[1484402-8](#) [156-3025-EX](#) [16-500800](#) [165X02659X](#) [165X03329A](#) [165X03399A](#) [165X10259X](#) [165X11759X](#) [165X11889X](#) [165X11899X](#)  
[165X13019X](#) [165X13029X](#) [165X13169X](#) [165X13199X](#) [165X13239X](#) [165X13389X](#) [165X13489X](#) [165X14219X](#) [165X14429X](#)  
[165X14449X](#) [165X17409X](#) [165X17439X](#) [165X17569X](#) [165X17599X](#) [165X17609X](#) [165X17889X](#) [165X17979X](#) [L171373](#) [971-025-](#)  
[030R121](#) [300X10989X](#) [165X02609X](#) [165X02639X](#) [165X02689X](#)