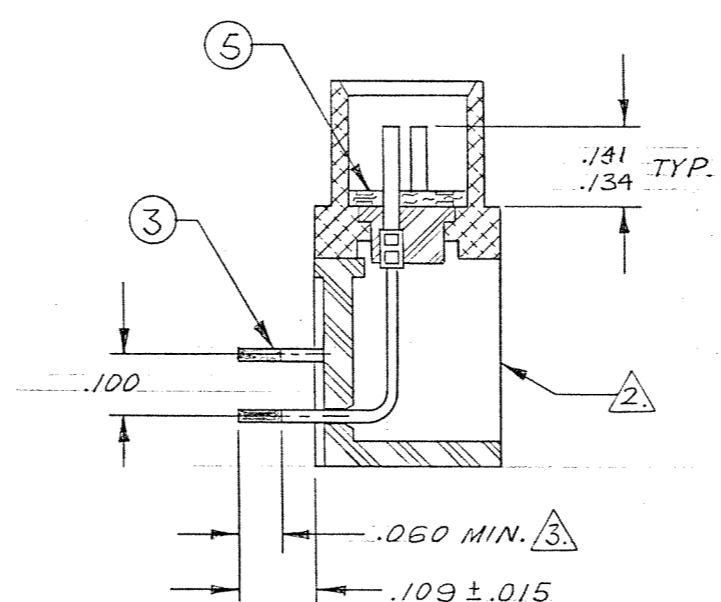
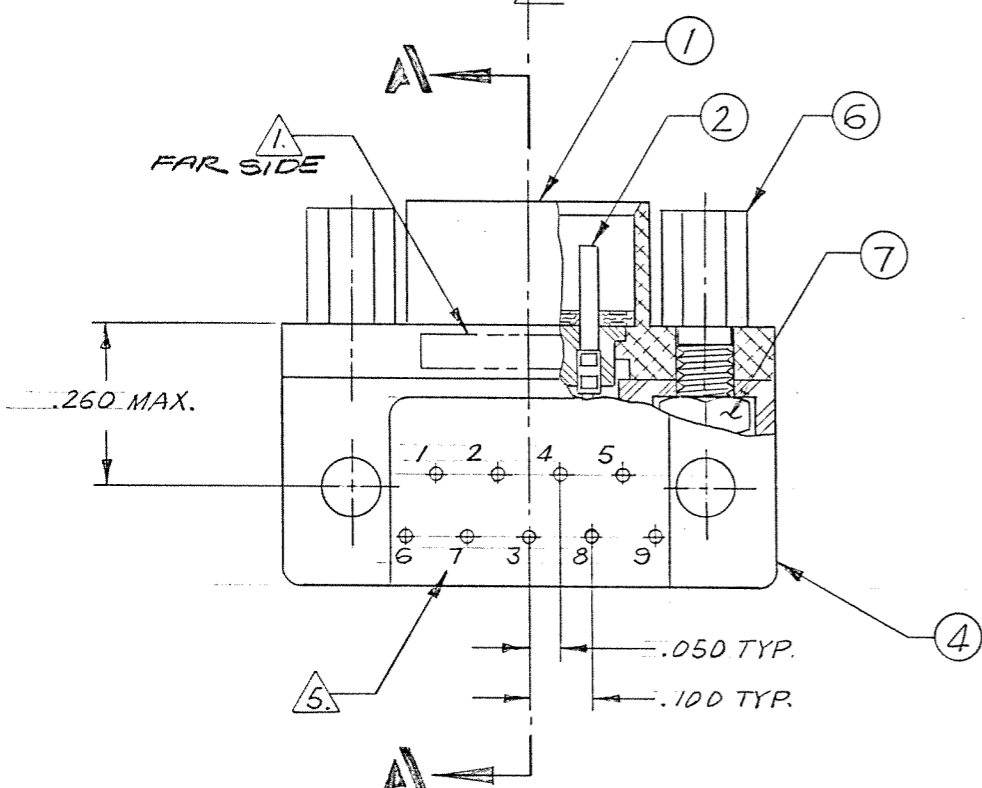
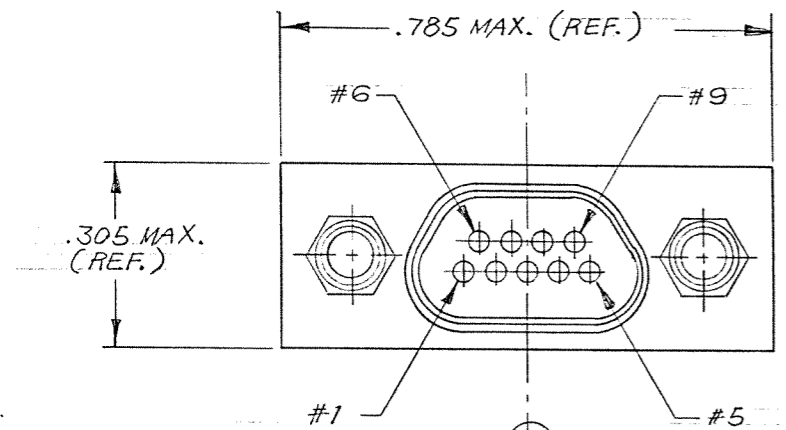


REVISIONS					
ZONE	LTR	ECN	DESCRIPTION	DATE	APPROVED
	A	28678	RELEASE FOR PRODUCTION Y.C.	4-16-84	
	B	37265	MKG. UPDATE, SEE ECN 172	8/25/87	
C-2	C	42680	IS: .134/.141 WAS: .121/.135	11-16-04	



CAUTION
 UNINSULATED WIRES USED IN THIS ASSEMBLY. MUST PASS 1000 VOLT "HI-POT" BEFORE AND AFTER POTTING.

- NOTES: UNLESS OTHERWISE SPECIFIED.
- 1. MARKING: MARK OPPOSITE SIDE PER MEP 203-12
 - 2. ASSEMBLE ALL ITEMS (ITEM #1 THRU #7), THEN FILL WITH EPDXY AROUND HEX NUT & T.B. BLOCK BACKPOTTING AS SHOWN. USE HYSOL #4215 & #3561.
 - 3. TERMINAL WIRES TO BE SOLDER COATED .003 MAX. (PER SIDE) IN LOCATION SHOWN. SOLDER TO BE QR-S-571, TYPE Sn63, FLUX PER MIL-F-14256, TYPE A.
 - 4. CRIMP LEADS INTO CONTACTS PER MEP 302-05.
 - 5. TERMINAL IDENT NOS AS SHOWN (VIEWED FROM THE MOUNTING SURFACE) DO NOT ACTUALLY APPEAR ON THE PART (FOR IDENTIFICATION ONLY).

3-1532133-2

QTY REQD	CODE IDENT	PART OR IDENTIFYING NO.	NOMENCLATURE OR DESCRIPTION
PARTS LIST			
UNLESS OTHERWISE SPECIFIED DIMENSIONS ARE IN INCHES TOLERANCES ARE: FRACTIONS DECIMALS ANGLES ± .XX ± ± .XXX ± .005		CONTRACT NO.	
MATERIAL		APPROVALS	DATE
FINISH		DRAWN YONG CHU	3/27/84
NEXT ASSY		CHECKED [Signature]	4/11/84
USED ON		PR. ENG [Signature]	8-13-84
APPLICATION		APPD.	
DO NOT SCALE DRAWING		MALCO A MICRODOT COMPANY, INC. 220 PASADENA AVE., SO. PASADENA, CALIF. 91030	
		METAL SHELL 90° LO-PROFILE CONNECTOR (MIL-C-83513/) MCK-**-P-9SRT1 (WITH JACKPOST)	
		SIZE C	PROD. CODE 845
		CODE IDENT NO. 98278	CODE M
		DRAWING NO. 094-4106-7000	
		SCALE	SHEET / OF /

X-ON Electronics

Largest Supplier of Electrical and Electronic Components

Click to view similar products for [D-Sub Micro-D Connectors](#) category:

Click to view products by [TE Connectivity](#) manufacturer:

Other Similar products are found below :

[65-1920-15](#) [M83513/03-A10N](#) [M83513/03-G12N](#) [M83513/04-G04C](#) [M83513/22-D01NP](#) [664020C06F060](#) [6R2004A30F015](#)
[6R4006A28A120](#) [704002A03F200](#) [705001A13F120](#) [71-147714-19P](#) [7-1532020-5](#) [748567-1-P](#) [MDB1-9SH001](#) [MDM-100PH003L](#) [MDM-15PBS-L58](#) [MDM-15PCBRM7T](#) [MDM-15PH001M7-A174](#) [MDM-15PH003B-A174](#) [MDM-15SH003A](#) [MDM-15SH004B](#) [MDM-15SH006A-A174](#) [MDM-15SH048B](#) [MDM-21PH003P](#) [MDM-25PH003B-A174](#) [MDM-25SH003F](#) [MDM-25SH003K](#) [MDM-31PH003L](#) [MDM-37PH006L-A174](#) [MDM-37SH003K](#) [MDM51PH016FA174](#) [MDM-51PSF](#) [MDM-9PH003M7](#) [MDM-9SH001P](#) [MDM-9SH006B](#) [790-027SH-10P4MEP](#) [790-041PJ-25P2MPA](#) [790-043PJ-7P7MPB](#) [791-004SH-66MSA](#) [7R3A00A19A1201](#) [7R5006A19A120](#) [803000C02M020](#) [803001B02M040](#) [803001D01M040](#) [8030N1A09M020](#) [804001B03M100](#) [804006B03M100](#) [804006C02M030](#) [MLDM2L-21SCBRP-.110](#) [85043GULSR](#)