

THIS DRAWING IS UNPUBLISHED.

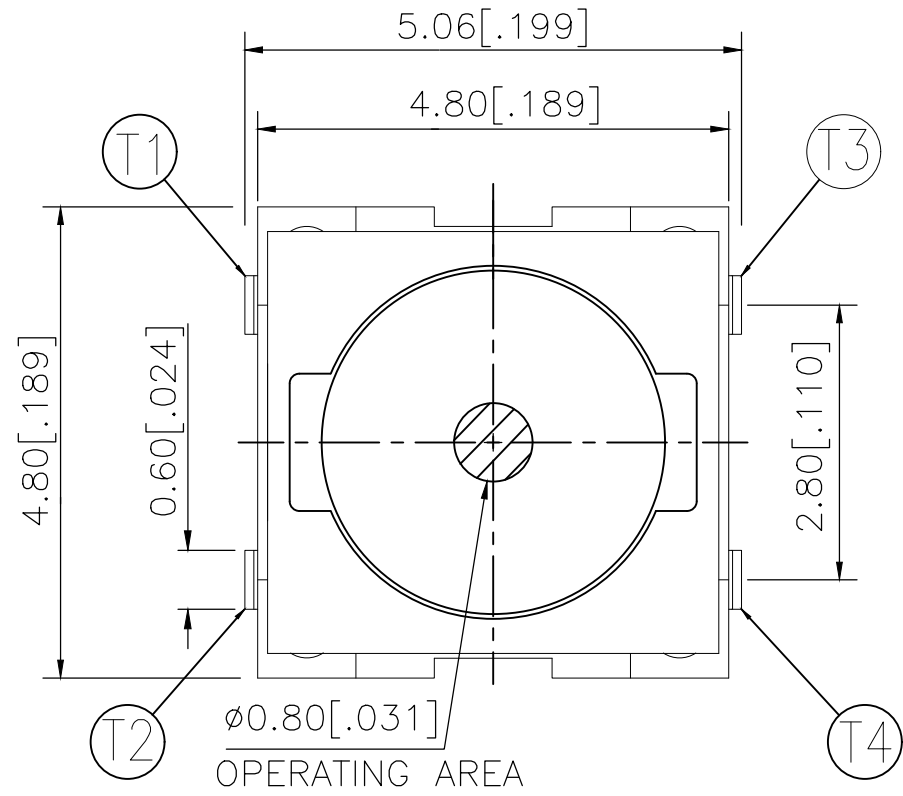
RELEASED FOR PUBLICATION

REVISIONS

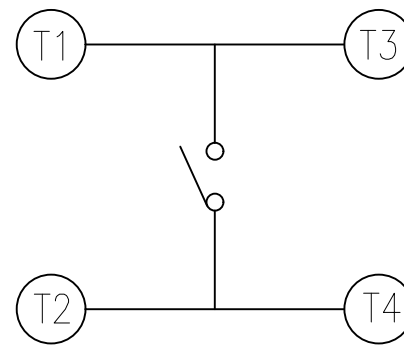
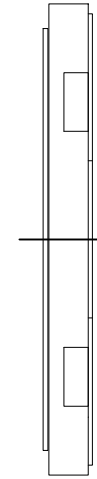
© COPYRIGHT - TE Connectivity Ltd.

ALL RIGHTS RESERVED.

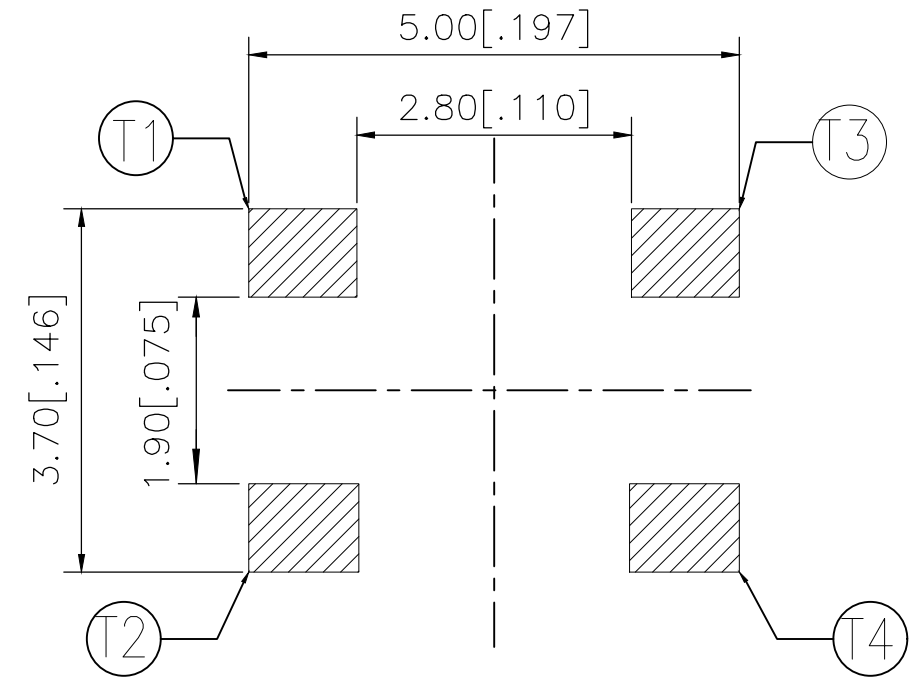
| P | LTR | DESCRIPTION               | DATE      | DWN | APVD |
|---|-----|---------------------------|-----------|-----|------|
|   | B   | REVISED PER ECR-19-004770 | 10APR2019 | SR  | DD   |



OPERATING AREA



CIRCUIT DIAGRAM



P.C.B. LAYOUT

|                      |                   |             |
|----------------------|-------------------|-------------|
| 360±60               | MCSLPT4848A5DTR   | 2337232-5   |
| 260±50               | MCSLPT4848A4DTR   | 2337232-4   |
| 200±50               | MCSLPT4848A3DTR   | 2337232-3   |
| 160±50               | MCSLPT4848A2DTR   | 2337232-2   |
| 100±50               | MCSLPT4848A1DTR   | 2337232-1   |
| ACTUATION FORCE (gf) | SMART PART NUMBER | PART NUMBER |

THIS DRAWING IS A CONTROLLED DOCUMENT.

DWN GANESH C M 04JUL2018

CHK ALEXANDER SHARPE 04JUL2018

APVD ALEXANDER SHARPE 04JUL2018

PRODUCT SPEC

APPLICATION SPEC

WEIGHT

CUSTOMER DRAWING



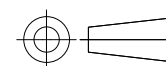
TE Connectivity Ltd.

SWITCH, TACTILE, LOW-PROFILE, MICRO-MINI, 4.8 x 4.8 x 0.55, J BEND, 2.80 PITCH

| SIZE | CAGE CODE | DRAWING NO | RESTRICTED TO |
|------|-----------|------------|---------------|
| A3   | 00779     | C-2337232  | -             |

DIMENSIONS: mm [INCHES]

TOLERANCES UNLESS OTHERWISE SPECIFIED:



|        |              |
|--------|--------------|
| 0 PLC  | ± -          |
| 1 PLC  | ± -          |
| 2 PLC  | ± 0.2 [.008] |
| 3 PLC  | ± -          |
| 4 PLC  | ± -          |
| ANGLES | ± -          |

MATERIAL

FINISH

SCALE NTS SHEET 1 OF 3 REV B

THIS DRAWING IS UNPUBLISHED.

RELEASED FOR PUBLICATION

© COPYRIGHT - TE Connectivity Ltd.

ALL RIGHTS RESERVED.

REVISIONS

| P | LTR | DESCRIPTION | DATE | DWN | APVD |
|---|-----|-------------|------|-----|------|
| - | -   | SEE SHEET 1 | -    | -   | -    |

NOTES:

1. MATERIALS:

TERMINAL: COPPER ALLOY, SILVER OVER NICKEL FINISH  
 BASE: THERMOPLASTIC, BLACK  
 TAPE: POLYIMIDE  
 CONTACT: STAINLESS STEEL, SILVER OVER NICKEL FINISH

2. COMPLIANCE:

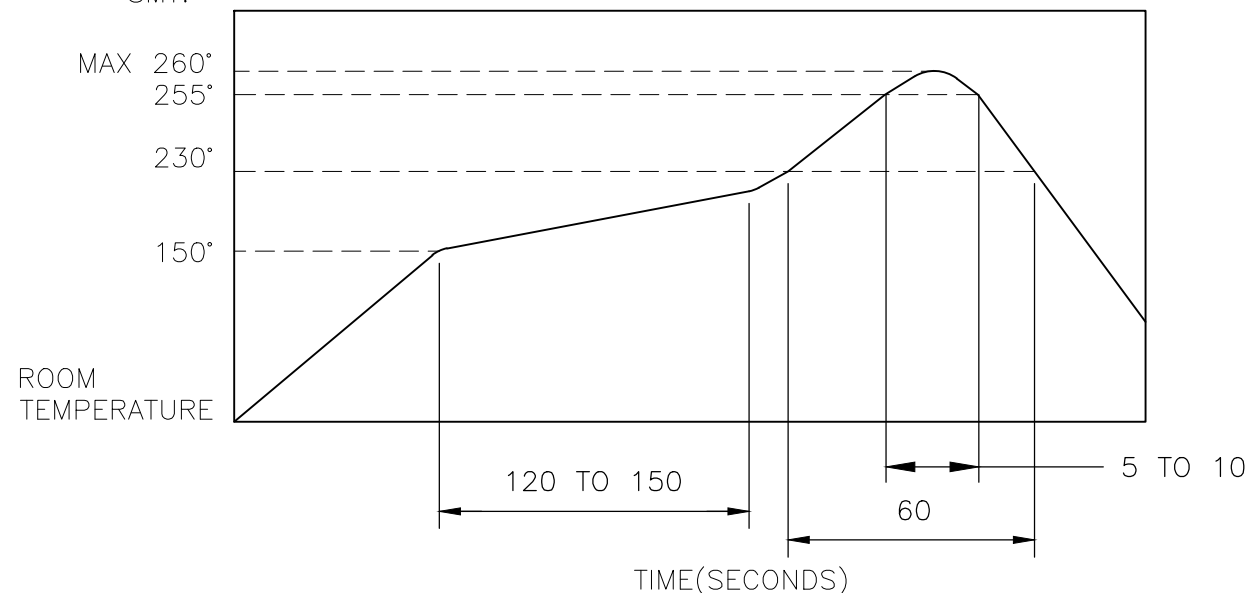
ALL MATERIALS AND FINISHES SHALL COMPLY WITH  
 EU DIRECTIVE 2002/95/EC OF 27JAN2003(RoHS)

3. SPECIFICATIONS:

RATING: 50 mA, 12V DC  
 CONTACT RESISTANCE: 100mΩ MAXIMUM (INITIAL)  
 INSULATION RESISTANCE: 100MΩ MINIMUM (INITIAL)  
 DIELECTRIC STRENGTH: 100 V AC, 1 MINUTE  
 OPERATING LIFE: 2337232-1 (100gf) = 1,000,000 CYCLES WITH LOAD  
 2337232-2 (160gf) = 1,000,000 CYCLES WITH LOAD  
 2337232-3 (200gf) = 500,000 CYCLES WITH LOAD  
 2337232-4 (260gf) = 500,000 CYCLES WITH LOAD  
 2337232-5 (360gf) = 200,000 CYCLES WITH LOAD  
 TRAVEL: 0.2±0.1 [.008±.004]  
 ACTUATION FORCE: 2337232-1 = 100±50gf  
 2337232-2 = 160±50gf  
 2337232-3 = 200±50gf  
 2337232-4 = 260±50gf  
 2337232-5 = 360±60gf  
 OPERATING TEMPERATURE: -30° TO 80°C  
 STORAGE TEMPERATURE: -40° TO 85°C

4. SOLDER CONDITIONS :

SMT:



THE CONDITON NOTED ABOVE IS THE TEMPERATURE OF THE COPPER FOIL ON THE SURFACE OF THE PCB. THERE ARE CASES WHERE THE TEMPERATURE OF THE BOARD GREATLY DIFFERS FROM THE SURFACE OF THE SWITCH. DO NOT ALLOW THE SURFACE TEMPERATURE OF THE SWITCH TO EXCEED 260°C.

MANUAL SOLDERING:

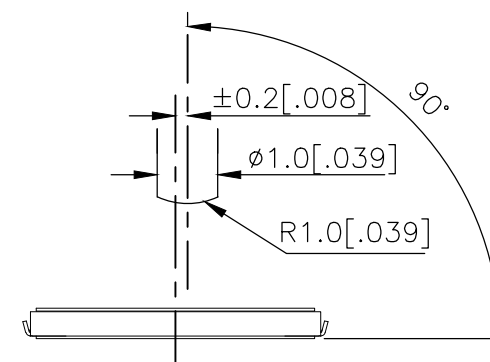
|                           |                   |
|---------------------------|-------------------|
| SOLDERING TEMPERATURE     | 350°C MAXIMUM     |
| CONTINUOUS SOLDERING TIME | 5 SECONDS MAXIMUM |

HANDLING PRECAUTIONS:

- CARE SHOULD BE EXERCISED SO THAT FLUX FROM THE TOP SURFACE OF THE PRINTED CIRCUIT BOARD DOES NOT ADHERE TO THE SWITCH.
- DO NOT WASH THE SWITCH

5. OPERATING PRECAUTIONS:

- DO NOT ACTUATE THE SWITCH WITH EXCESSIVE FORCE
- DISCONTINUE FORCE AFTER THE SWITCH HAS BEEN ACTUATED SO AS TO AVOID DEFORMATION OF THE COMPONENTS OF THE SWITCH. DEFORMATION OF THE COMPONENTS MAY CAUSE THE SWITCH TO MALFUNCTION.
- ALIGN THE PLUNGER WITH THE SWITCH TO INSURE PROPER OPERATION

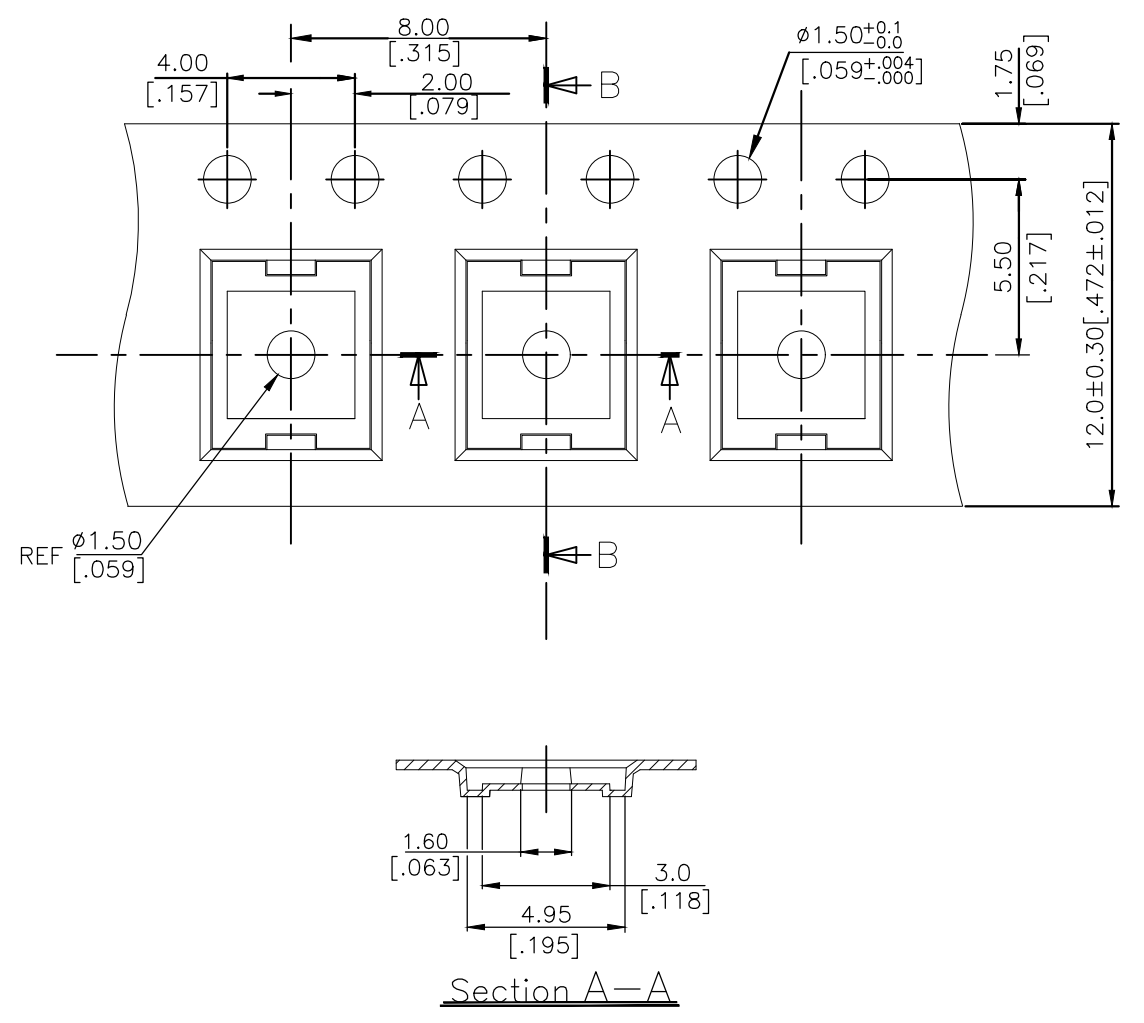


|  |            |                                 |                      |           |              |   |
|--|------------|---------------------------------|----------------------|-----------|--------------|---|
| THIS DRAWING IS A CONTROLLED DOCUMENT. |            | DWN GANESH C M 04JUL2018        | TE Connectivity Ltd. |           |              |   |
| DIMENSIONS: mm [INCHES]                |            | CHK ALEXANDER SHARPE 04JUL2018  |                      |           |              | NAME SWITCH, TACTILE, LOW-PROFILE, MICRO-MINI, 4.8 x 4.8 x 0.55, J BEND, 2.80 PITCH |
| TOLERANCES UNLESS OTHERWISE SPECIFIED: |            | APVD ALEXANDER SHARPE 04JUL2018 | SIZE                 | CAGE CODE | DRAWING NO   |   |
| 0 PLC ± -                              | 1 PLC ± -  | PRODUCT SPEC                    | A3 00779             |           | C-2337232    | -   |
| 2 PLC ± 0.2 [.008]                     | 3 PLC ± -  | APPLICATION SPEC                | CUSTOMER DRAWING     |           | SCALE NTS    | SHEET 2 OF 3  |
| 4 PLC ± -                              | ANGLES ± - | WEIGHT                          | SCALE NTS            |           | SHEET 2 OF 3 | REV B   |
| MATERIAL -                             | FINISH -   |                                 |                      |           |              |   |

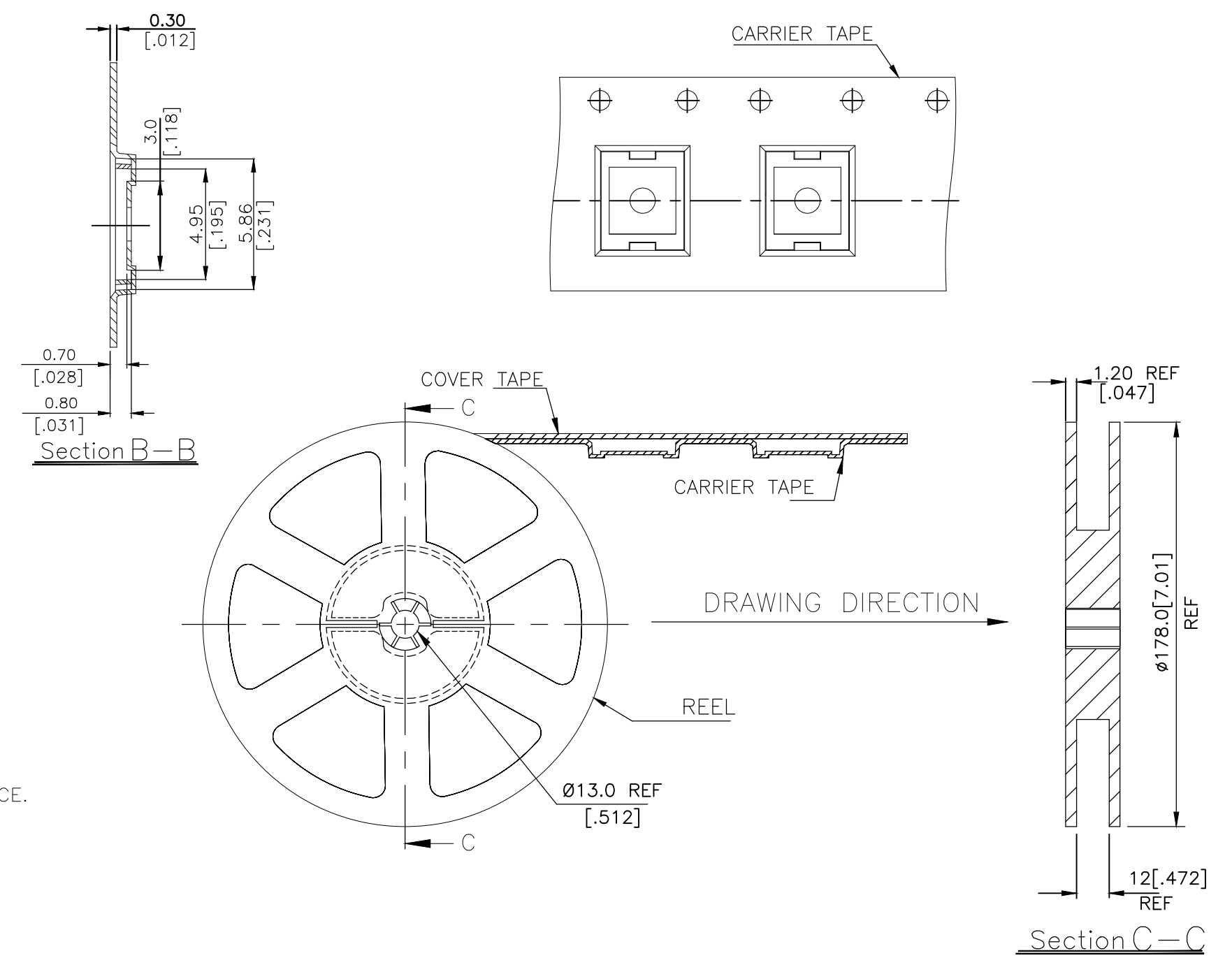
THIS DRAWING IS UNPUBLISHED. RELEASED FOR PUBLICATION  
 © COPYRIGHT - TE Connectivity Ltd. ALL RIGHTS RESERVED.

| REVISIONS |     |             |      |     |      |
|-----------|-----|-------------|------|-----|------|
| P         | LTR | DESCRIPTION | DATE | DWN | APVD |
| -         | -   | SEE SHEET 1 | -    | -   | -    |

THE DIMENSIONS OF CARRIER TAPE AND REEL



ORIENTATION OF PILOT HOLES



6. PACKAGING:

1. THE TAPE AND REEL ARE SHOWN FOR CUSTOMER APPLICATION REFERENCE. PACKAGING NOTES 3 AND 4 ARE REQUIRED BUT NOT ILLUSTRATED.
2. 2,500 SWITCHES PER REEL.
3. THE REEL, DESICCANT POUCH AND HUMIDITY CARD ARE SEALED IN A MOISTURE BARRIER BAG PER THE CURRENT REVISION OF IPC/JEDEC J-STD-033, MSL 2A REQUIREMENTS.
4. THE MOISTURE BARRIER BAG IS LABELED PER THE CURRENT REVISION OF IPC/JEDEC J-STD-033, MSL 2A REQUIREMENTS.

|  |               |                                 |                      |           |              |   |               |       |     |       |     |        |     |                  |  |      |               |
|--|---------------|---------------------------------|----------------------|-----------|--------------|---|---------------|-------|-----|-------|-----|--------|-----|------------------|--|------|---------------|
| THIS DRAWING IS A CONTROLLED DOCUMENT.   |               | DWN GANESH C M 04JUL2018        | TE Connectivity Ltd. |           |              |   |               |       |     |       |     |        |     |                  |  |      |               |
| DIMENSIONS: mm [INCHES]  |               | CHK ALEXANDER SHARPE 04JUL2018  |                      |           |              | NAME SWITCH, TACTILE, LOW-PROFILE, MICRO-MINI, 4.8 x 4.8 x 0.55, J BEND, 2.80 PITCH |               |       |     |       |     |        |     |                  |  |      |               |
| TOLERANCES UNLESS OTHERWISE SPECIFIED:   |               | APVD ALEXANDER SHARPE 04JUL2018 | PRODUCT SPEC         |           |              |   |               |       |     |       |     |        |     |                  |  |      |               |
| <table border="0"> <tr><td>0 PLC</td><td>± -</td></tr> <tr><td>1 PLC</td><td>± -</td></tr> <tr><td>2 PLC</td><td>± 0.2 [0.008]</td></tr> <tr><td>3 PLC</td><td>± -</td></tr> <tr><td>4 PLC</td><td>± -</td></tr> <tr><td>ANGLES</td><td>± -</td></tr> </table> |               | 0 PLC                           | ± -                  | 1 PLC     | ± -          | 2 PLC   | ± 0.2 [0.008] | 3 PLC | ± - | 4 PLC | ± - | ANGLES | ± - | APPLICATION SPEC |  | SIZE | RESTRICTED TO |
| 0 PLC  | ± -           |                                 |                      |           |              |   |               |       |     |       |     |        |     |                  |  |      |               |
| 1 PLC  | ± -           |                                 |                      |           |              |   |               |       |     |       |     |        |     |                  |  |      |               |
| 2 PLC  | ± 0.2 [0.008] |                                 |                      |           |              |   |               |       |     |       |     |        |     |                  |  |      |               |
| 3 PLC  | ± -           |                                 |                      |           |              |   |               |       |     |       |     |        |     |                  |  |      |               |
| 4 PLC  | ± -           |                                 |                      |           |              |   |               |       |     |       |     |        |     |                  |  |      |               |
| ANGLES   | ± -           |                                 |                      |           |              |   |               |       |     |       |     |        |     |                  |  |      |               |
| MATERIAL   |               | WEIGHT                          |                      | A3 00779  | C-2337232    |   |               |       |     |       |     |        |     |                  |  |      |               |
|  |               | CUSTOMER DRAWING                |                      | SCALE NTS | SHEET 3 OF 3 |   |               |       |     |       |     |        |     |                  |  |      |               |

## X-ON Electronics

Largest Supplier of Electrical and Electronic Components

*Click to view similar products for [Tactile Switches](#) category:*

*Click to view products by [TE Connectivity](#) manufacturer:*

Other Similar products are found below :

[5GTH92001](#) [1-1977120-4](#) [ADTSA62RV](#) [ADTSA63KV](#) [ADTSA644NV](#) [ADTSMW66NV](#) [ADTSMW67RV](#) [B3F-3123](#) [B3F-6055A](#) [B3F-B32-01-KIT](#) [1977177-8](#) [1977266-1](#) [ADTS644KV](#) [ADTSA61RV](#) [ADTSA62KV](#) [ADTSA63NV](#) [ADTSA63RV](#) [ADTSM21NSVTR](#) [ADTSM32NVTR](#) [ADTSM63SVTR](#) [ADTSM644KVTR](#) [ADTSMW64RV](#) [ADTSMW69NV](#) [FSMRA4JHA04](#) [GS4.70F300QP](#) [3ESH9R](#) [506E00201](#) [MJTP1164TR](#) [3FTL600RAS](#) [3FTL640RAS](#) [Y96K132V0FPLFS](#) [101-TS5022T1601-EV](#) [5GSH92001](#) [KSJ0A231](#) [80SH LFG](#) [EVQ-P1D05K](#) [MJTP1162TR](#) [ADTSM63KV](#) [TSJW-5.2-260-TR](#) [KMT011MNGJLHS](#) [B3WN6002S](#) [ADTSA648RV](#) [70-201.0](#) [ADTSG648NV](#) [ADTSM62KSVTR](#) [ATA600VTR](#) [ADTSG66RV](#) [ADTS61NV](#) [ADTSM62KVTR](#) [ADTSM25KSVB](#) [ADTS65RV](#)