

THIS DRAWING IS UNPUBLISHED.

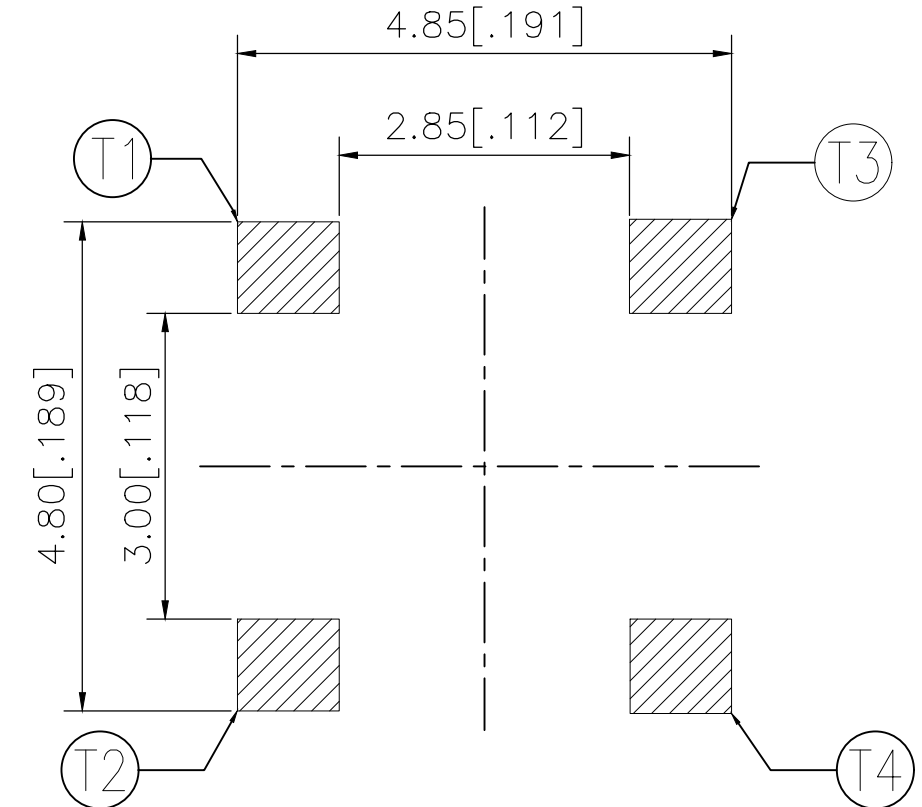
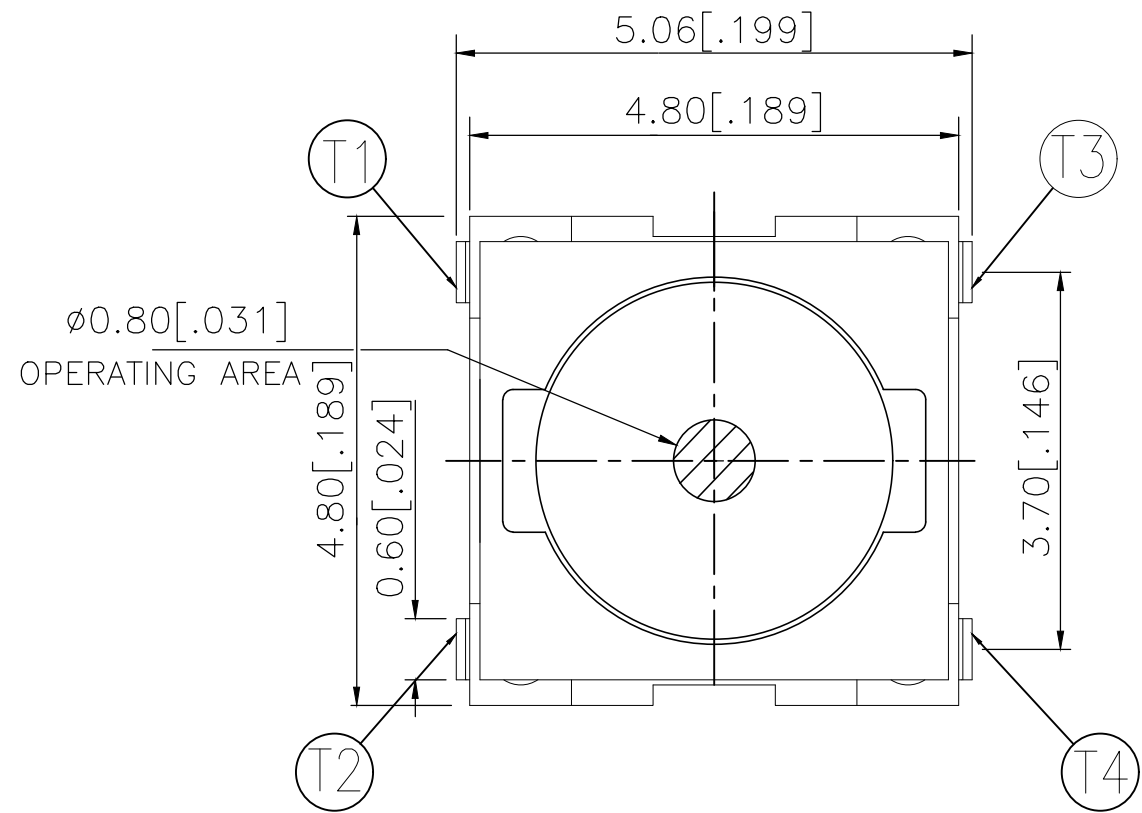
RELEASED FOR PUBLICATION

REVISIONS

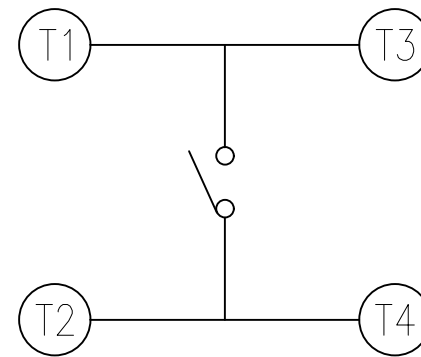
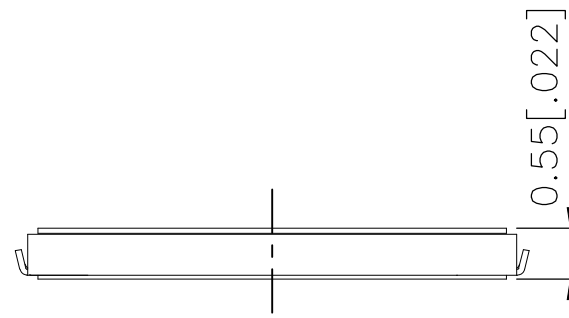
© COPYRIGHT - TE Connectivity Ltd.

ALL RIGHTS RESERVED.

P	LTR	DESCRIPTION	DATE	DWN	APVD
	B	REVISED PER ECR-19-004770	10APR2019	SR	DD



P.C.B. LAYOUT



CIRCUIT DIAGRAM

360±60	MCSLPT4848C5DTR	2337233-5
260±50	MCSLPT4848C4DTR	2337233-4
200±50	MCSLPT4848C3DTR	2337233-3
160±50	MCSLPT4848C2DTR	2337233-2
100±50	MCSLPT4848C1DTR	2337233-1
ACTUATION FORCE (gf)	SMART PART NUMBER	PART NUMBER

THIS DRAWING IS A CONTROLLED DOCUMENT.

DWN GANESH C M 03JUL2018

CHK ALEXANDER SHARPE 03JUL2018

APVD ALEXANDER SHARPE 03JUL2018

PRODUCT SPEC

APPLICATION SPEC

WEIGHT

CUSTOMER DRAWING

**STE** TE Connectivity Ltd.

NAME SWITCH, TACTILE, LOW-PROFILE, MICRO-MINI, 4.8 x 4.8 x 0.55, J BEND, 3.70 PITCH

SIZE	CAGE CODE	DRAWING NO	RESTRICTED TO
A3	00779	C-2337233	-

DIMENSIONS: mm [INCHES]	TOLERANCES UNLESS OTHERWISE SPECIFIED:
	0 PLC ± -
	1 PLC ± -
	2 PLC ± 0.2 [.008]
	3 PLC ± -
	4 PLC ± -
ANGLES ± -	± -
MATERIAL	FINISH
-	-

SCALE	SHEET	REV
NTS	1 of 3	B

THIS DRAWING IS UNPUBLISHED.

RELEASED FOR PUBLICATION

© COPYRIGHT - TE Connectivity Ltd.

ALL RIGHTS RESERVED.

REVISIONS

P	LTR	DESCRIPTION	DATE	DWN	APVD
-	-	SEE SHEET 1	-	-	-

NOTES:

1. MATERIALS:

TERMINAL: COPPER ALLOY, SILVER OVER NICKEL FINISH  
 BASE: THERMOPLASTIC, BLACK  
 TAPE: POLYIMIDE  
 CONTACT: STAINLESS STEEL, SILVER OVER NICKEL FINISH

2. COMPLIANCE:

ALL MATERIALS AND FINISHES SHALL COMPLY WITH  
 EU DIRECTIVE 2002/95/EC OF 27JAN2003(RoHS)

3. SPECIFICATIONS:

RATING: 50 mA, 12V DC  
 CONTACT RESISTANCE: 100mΩ MAXIMUM (INITIAL)  
 INSULATION RESISTANCE: 100MΩ MINIMUM (INITIAL)  
 DIELECTRIC STRENGTH: 100 V AC, 1 MINUTE  
 OPERATING LIFE: 2337233-1 (100gf) = 1,000,000 CYCLES WITH LOAD  
                   2337233-2 (160gf) = 1,000,000 CYCLES WITH LOAD  
                   2337233-3 (200gf) = 500,000 CYCLES WITH LOAD  
                   2337233-4 (260gf) = 500,000 CYCLES WITH LOAD  
                   2337233-5 (360gf) = 200,000 CYCLES WITH LOAD

TRAVEL: 0.2±0.1 [.008±.004]

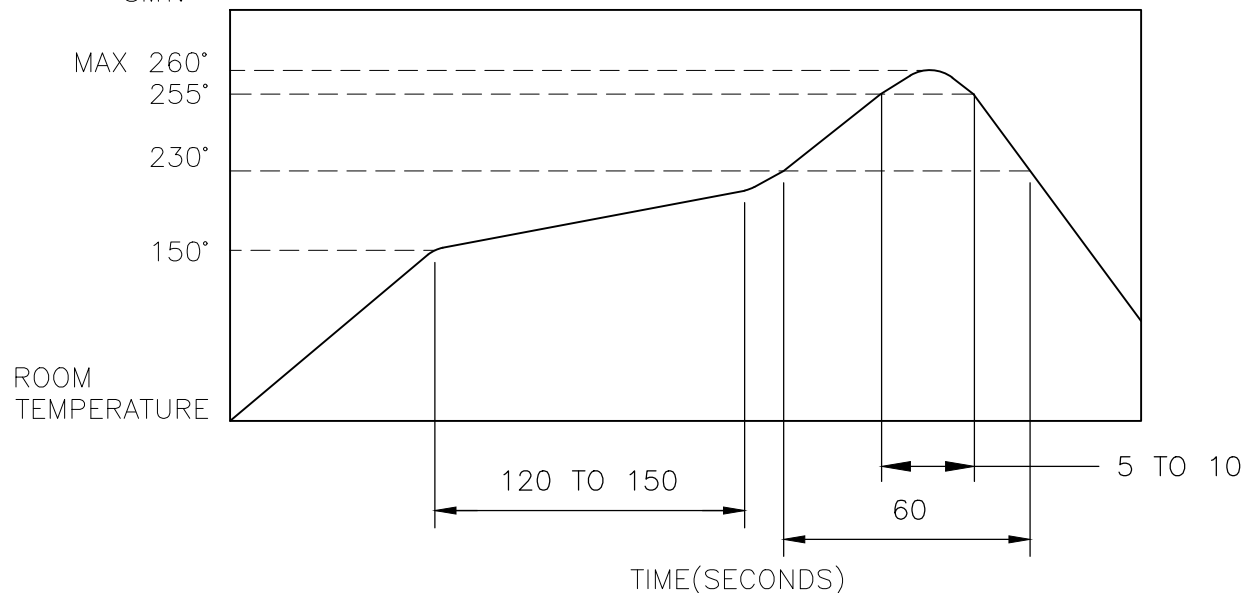
ACTUATION FORCE: 2337233-1 = 100±50gf  
                   2337233-2 = 160±50gf  
                   2337233-3 = 200±50gf  
                   2337233-4 = 260±50gf  
                   2337233-5 = 360±60gf

OPERATING TEMPERATURE: -30° TO 80°C

STORAGE TEMPERATURE: -40° TO 85°C

4. SOLDER CONDITIONS :

SMT:



THE CONDITON NOTED ABOVE IS THE TEMPERATURE OF THE COPPER FOIL ON THE SURFACE OF THE PCB. THERE ARE CASES WHERE THE TEMPERATURE OF THE BOARD GREATLY DIFFERS FROM THE SURFACE OF THE SWITCH. DO NOT ALLOW THE SURFACE TEMPERATURE OF THE SWITCH TO EXCEED 260°C.

MANUAL SOLDERING:

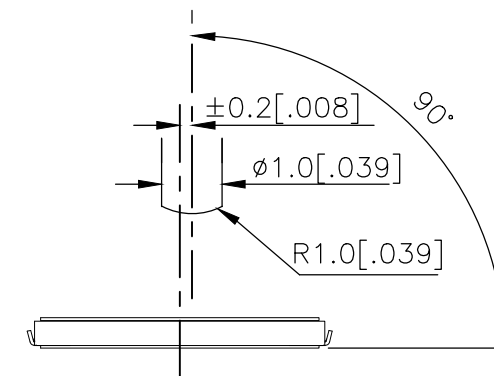
SOLDERING TEMPERATURE	350°C MAXIMUM
CONTINUOUS SOLDERING TIME	5 SECONDS MAXIMUM

HANDLING PRECAUTIONS:

- CARE SHOULD BE EXERCISED SO THAT FLUX FROM THE TOP SURFACE OF THE PRINTED CIRCUIT BOARD DOES NOT ADHERE TO THE SWITCH.
- DO NOT WASH THE SWITCH

5. OPERATING PRECAUTIONS:

- DO NOT ACTUATE THE SWITCH WITH EXCESSIVE FORCE
- DISCONTINUE FORCE AFTER THE SWITCH HAS BEEN ACTUATED SO AS TO AVOID DEFORMATION OF THE COMPONENTS OF THE SWITCH. DEFORMATION OF THE COMPONENTS MAY CAUSE THE SWITCH TO MALFUNCTION.
- ALIGN THE PLUNGER WITH THE SWITCH TO INSURE PROPER OPERATION



THIS DRAWING IS A CONTROLLED DOCUMENT.		DWN	GANESH C M		03JUL2018	TE Connectivity Ltd.					
DIMENSIONS: mm [INCHES]		CHK	ALEXANDER SHARPE		03JUL2018						
TOLERANCES UNLESS OTHERWISE SPECIFIED:		APVD	ALEXANDER SHARPE		03JUL2018	NAME					
0 PLC ± - 1 PLC ± - 2 PLC ± 0.2 [.008] 3 PLC ± - 4 PLC ± - ANGLES ± -		PRODUCT SPEC		-		SWITCH, TACTILE, LOW-PROFILE, MICRO-MINI, 4.8 x 4.8 x 0.55, J BEND, 3.70 PITCH					
MATERIAL		APPLICATION SPEC		-		SIZE	CAGE CODE	DRAWING NO	RESTRICTED TO		
FINISH		WEIGHT		-		A3	00779	C=2337233	-		
CUSTOMER DRAWING						SCALE	NTS	SHEET	2 OF 3	REV	B

THIS DRAWING IS UNPUBLISHED.

RELEASED FOR PUBLICATION

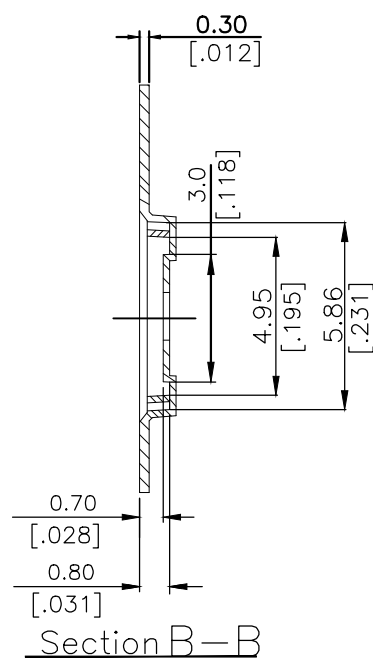
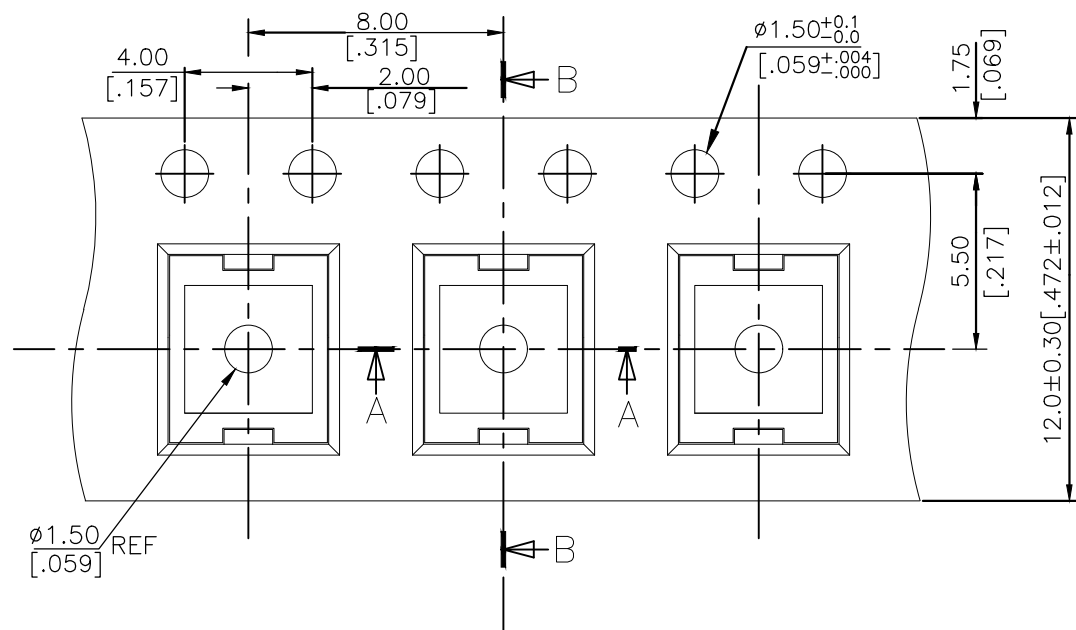
REVISIONS

© COPYRIGHT - TE Connectivity Ltd.

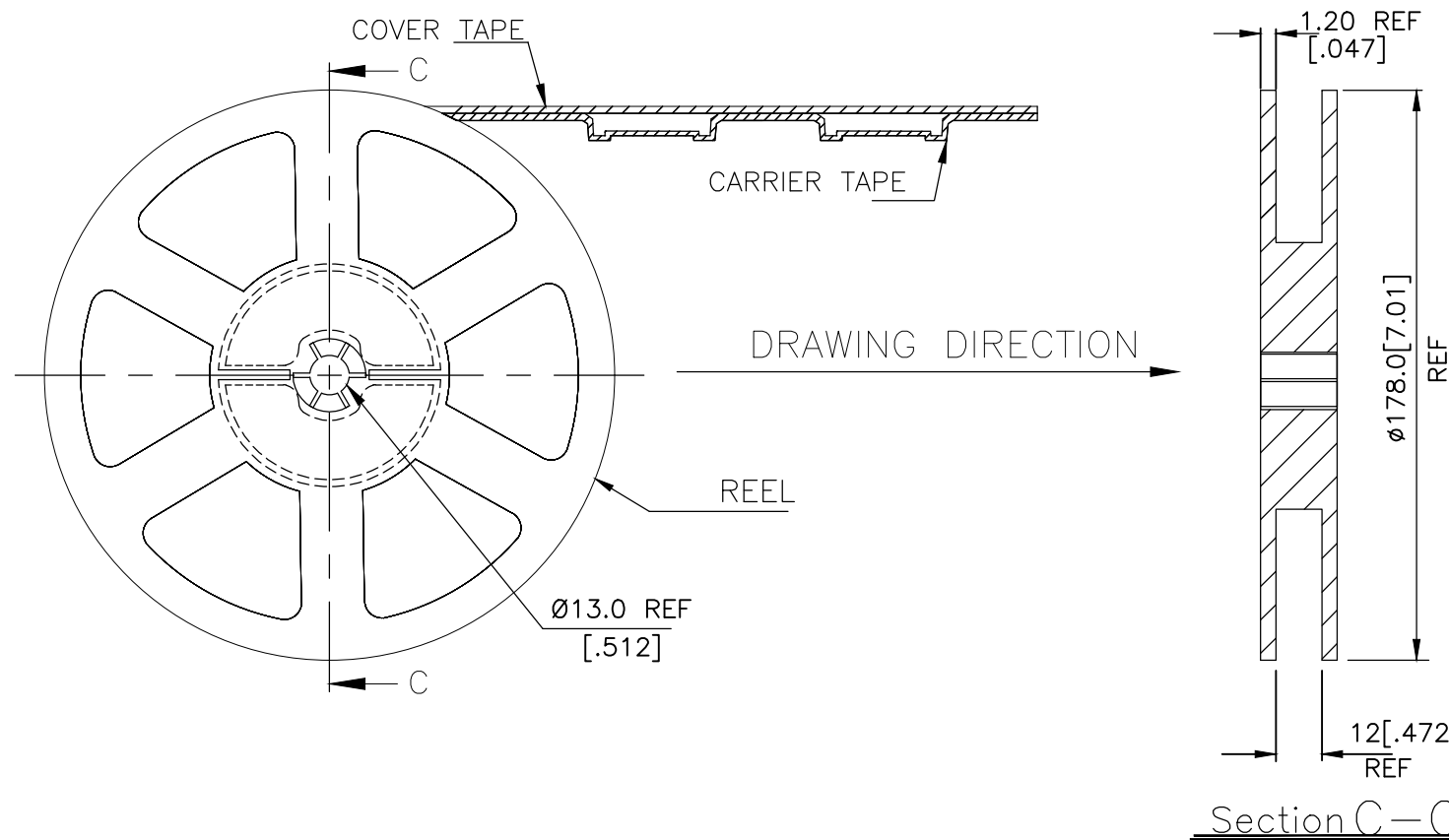
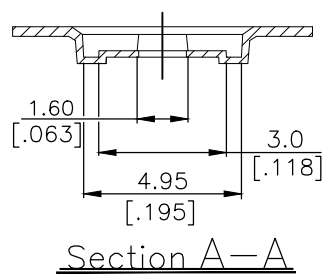
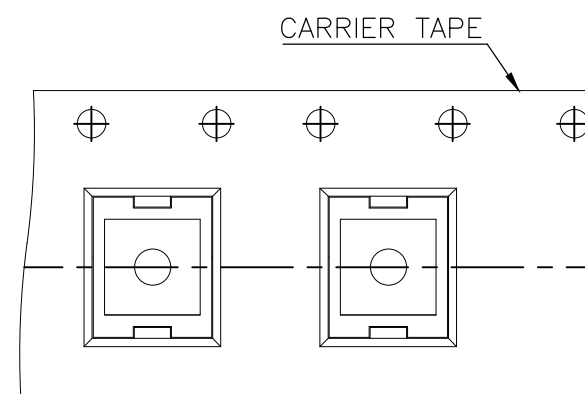
ALL RIGHTS RESERVED.

P	LTR	DESCRIPTION	DATE	DWN	APVD
-	-	SEE SHEET 1	-	-	-

THE DIMENSIONS OF CARRIER TAPE AND REEL



ORIENTATION OF PILOT HOLES



6. PACKAGING:

1. THE TAPE AND REEL ARE SHOWN FOR CUSTOMER APPLICATION REFERENCE. PACKAGING NOTES 3 AND 4 ARE REQUIRED BUT NOT ILLUSTRATED.
2. 2,500 SWITCHES PER REEL.
3. THE REEL, DESICCANT POUCH AND HUMIDITY CARD ARE SEALED IN A MOISTURE BARRIER BAG PER THE CURRENT REVISION OF IPC/JEDEC J-STD-033, MSL 2A REQUIREMENTS.
4. THE MOISTURE BARRIER BAG IS LABELED PER THE CURRENT REVISION OF IPC/JEDEC J-STD-033, MSL 2A REQUIREMENTS.

THIS DRAWING IS A CONTROLLED DOCUMENT.		DWN GANESH C M 03JUL2018	TE Connectivity Ltd.														
DIMENSIONS: mm [INCHES]		CHK ALEXANDER SHARPE 03JUL2018				NAME SWITCH, TACTILE, LOW-PROFILE, MICRO-MINI, 4.8 x 4.8 x 0.55, J BEND, 3.70 PITCH											
TOLERANCES UNLESS OTHERWISE SPECIFIED:		APVD ALEXANDER SHARPE 03JUL2018	PRODUCT SPEC														
<table border="0"> <tr><td>0 PLC</td><td>± -</td></tr> <tr><td>1 PLC</td><td>± -</td></tr> <tr><td>2 PLC</td><td>± 0.2 [.008]</td></tr> <tr><td>3 PLC</td><td>± -</td></tr> <tr><td>4 PLC</td><td>± -</td></tr> <tr><td>ANGLES</td><td>± -</td></tr> </table>		0 PLC	± -	1 PLC	± -	2 PLC	± 0.2 [.008]	3 PLC	± -	4 PLC	± -	ANGLES	± -	APPLICATION SPEC		RESTRICTED TO	
0 PLC	± -																
1 PLC	± -																
2 PLC	± 0.2 [.008]																
3 PLC	± -																
4 PLC	± -																
ANGLES	± -																
MATERIAL		WEIGHT		SIZE A3	CAGE CODE 00779												
		FINISH		DRAWING NO C-2337233	REV B												
CUSTOMER DRAWING			SCALE NTS	SHEET 3 OF 3													

## X-ON Electronics

Largest Supplier of Electrical and Electronic Components

*Click to view similar products for [Tactile Switches](#) category:*

*Click to view products by [TE Connectivity](#) manufacturer:*

Other Similar products are found below :

[5GTH92001](#) [1-1977120-4](#) [ADTSA62RV](#) [ADTSA63KV](#) [ADTSA644NV](#) [ADTSMW66NV](#) [ADTSMW67RV](#) [B3F-3123](#) [B3F-6055A](#) [B3F-B32-01-KIT](#) [1977177-8](#) [1977266-1](#) [ADTS644KV](#) [ADTSA61RV](#) [ADTSA62KV](#) [ADTSA63NV](#) [ADTSA63RV](#) [ADTSM21NSVTR](#) [ADTSM32NVTR](#) [ADTSM63SVTR](#) [ADTSM644KVTR](#) [ADTSMW64RV](#) [ADTSMW69NV](#) [FSMRA4JHA04](#) [GS4.70F300QP](#) [3ESH9R](#) [506E00201](#) [MJTP1164TR](#) [3FTL600RAS](#) [3FTL640RAS](#) [Y96K132V0FPLFS](#) [101-TS5022T1601-EV](#) [5GSH92001](#) [KSJ0A231](#) [80SH LFG](#) [EVQ-P1D05K](#) [MJTP1162TR](#) [ADTSM63KV](#) [TSJW-5.2-260-TR](#) [KMT011MNGJLHS](#) [B3WN6002S](#) [ADTSA648RV](#) [70-201.0](#) [ADTSG648NV](#) [ADTSM62KSVTR](#) [ATA600VTR](#) [ADTSG66RV](#) [ADTS61NV](#) [ADTSM62KVTR](#) [ADTSM25KSVB](#) [ADTS65RV](#)