

P	LTR	DESCRIPTION	DATE	DWN	APVD
	A	INITIAL DRAWING	09SEP2019	VM	DH

**Ordering Information and Coil Characteristics — No models in this series are maintained in stock.**

Type	Part Number	Contacts	Coil Voltage (60 Hz. for AC)	Coil Power* (Watts)	Breakdown (Volts RMS)
Small Non-Latching	MDR-131-1	4PDT	115 VAC	6.5	1,230
	MDR-131-2	4PDT	440 VAC	5.1	1,880
	MDR-135-1	4PDT	28 VDC	10.0	1,308
	MDR-137-8	4PDT	125 VDC	10.3	2,375
	MDR-134-1	8PDT	115 VAC	6.5	1,230
	MDR-134-2	8PDT	440 VAC	5.1	1,880
	MDR-136-1	8PDT	28 VDC	10.0	1,308
	MDR-138-8	8PDT	125 VDC	10.3	2,375
	MDR-163-1	12PDT	115 VAC	6.9	1,230
	MDR-163-2	12PDT	440 VAC	6.3	1,880
Medium Non-Latching	MDR-170-1	16PDT	115 VAC	17.0	1,230
	MDR-170-2	16PDT	440 VAC	17.0	1,880
	MDR-172-1	16PDT	28 VDC	18.7	1,308
	MDR-173-1	16PDT	125 VDC	16.0	2,375
	MDR-141-1	24PDT	115 VAC	17.0	1,230
	MDR-141-2	24PDT	440 VAC	17.0	1,880
	MDR-167-1	24PDT	28 VDC	18.7	1,308
	MDR-142-1	24PDT	125 VDC	16.0	2,375
Small Latching	MDR-67-2	4PDT	115 VAC	5.5	1,230
	MDR-4091	4PDT	440 VAC	3.0	1,880
	MDR-67-3	4PDT	28 VDC	21.8	1,308
	MDR-5060	4PDT	125 VDC	20.6	2,375
	MDR-4076	8PDT	115 VAC	5.5	1,230
	MDR-4092	8PDT	440 VAC	3.0	1,880
	MDR-5035	8PDT	28 VDC	21.8	1,308
	MDR-5061	8PDT	125 VDC	20.6	2,375
Medium Latching	MDR-6064	12PDT	115 VAC	12.0	1,230
	MDR-6065	12PDT	440 VAC	5.7	1,880
	MDR-7020	12PDT	28 VDC	8.8	1,308
	MDR-7035	12PDT	125 VDC	10.4	2,375
	MDR-66-4	16PDT	115 VAC	12.0	1,230
	MDR-6066	16PDT	440 VAC	5.7	1,880
	MDR-7025	16PDT	28 VDC	8.8	1,308
MDR-7036	16PDT	125 VDC	10.4	2,375	

**Specifications**

**Contact Data**

**Arrangements** — 4 Form C (4PDT) through 24 Form C (24 PDT).

**Contact Ratings**

Single Contacts	Two Contacts in Series
10 A, 115 VAC	3 A, 440 VAC
3 A, 28 VDC	15 A, 115 VAC
0.8 A, 125 VDC	1.5 A, 125 VDC

The above AC contact ratings are based on contact loads having a 50% power factor. The DC contact ratings are based on resistive loads.

**Latching Two-Position Types** —

Except for the latching feature, MDR latching relays utilize the same general construction as non-latching types. They have two sets of coils and provide a latching two-position operation.

**Operate Data @ 77°F [25°C]**

Type	Typ. Operate Time (ms)	Typ. Release Time (ms)
Small AC Non-Latching	5 to 12	5 to 18
Small DC Non-Latching	15 to 30	5 to 15
Small AC Latching	6 to 12	N/A
Small DC Latching	10 to 16	N/A
Medium AC Non-Latching	6 to 12	6 to 20
Medium DC Non-Latching	65 to 90	10 to 30
Medium AC Latching	50 (max.)	N/A
Medium DC Latching	30 to 80	N/A

**Environmental Data**

**Temperature Range** —

Standard models — 0°F to +149°F [0°C to +65°C]

Special order models — 0°F to +194°F [0°C to +90°C]

**Mechanical Data**

**Termination** — #5-40 screw terminals supplied

**Weight (Approx.)** —

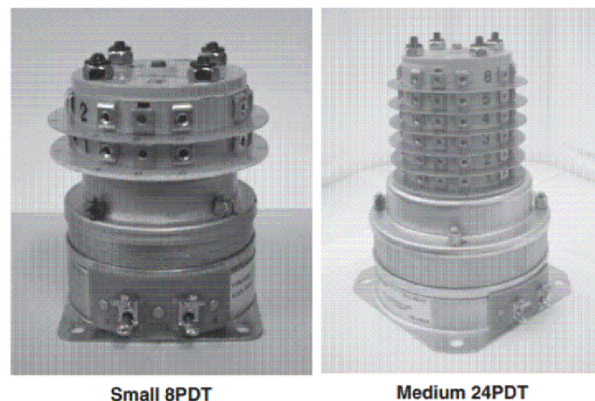
Small —  
4 & 8PDT — 32 oz. [0.914 kg];  
12PDT — 33 oz. [0.943 kg]

Medium —  
16PDT — 72 oz. [2.04 kg];  
24PDT — 74 oz. [2.10 kg]

**Note:** All values are for reference, specific values may be different and subject to environmental factors such as temperature, humidity, pressure or variations in voltage.

**Product Facts**

- AC and DC coils, latching and non-latching
- 4PDT through 24PDT contact arrangements
- Designed to withstand high impact shock per MIL-S-901



THIS DRAWING IS A CONTROLLED DOCUMENT.

DIMENSIONS: INCHES	TOLERANCES UNLESS OTHERWISE SPECIFIED:
	0 PLC ± -
	1 PLC ± -
	2 PLC ± -
	3 PLC ± -
	4 PLC ± -
	ANGLES ± -
MATERIAL	FINISH
-	-

DWN	09SEP2019
VM	
CHK	09SEP2019
RV	
APVD	09SEP2019
DH	
PRODUCT SPEC	-
APPLICATION SPEC	-
WEIGHT	-
CUSTOMER DRAWING	

		TE Connectivity	
NAME			
MDR SERIES ROTARY RELAY			
SIZE	CAGE CODE	DRAWING NO	RESTRICTED TO
A3	-	MDR-SERIES	-
SCALE		SHEET	REV
NTS		1 OF 2	A



THIS DRAWING IS UNPUBLISHED.

RELEASED FOR PUBLICATION

REVISIONS

© COPYRIGHT - TE Connectivity Ltd.

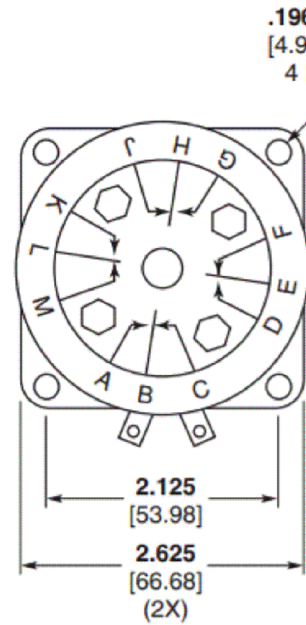
ALL RIGHTS RESERVED.

P	LTR	DESCRIPTION	DATE	DWN	APVD
-	-	SEE SHEET 1	-	-	-

### Outline Dimensions

Tolerances: Decimals ± .010 [±.25] Unless Otherwise Specified.

#### Small Models

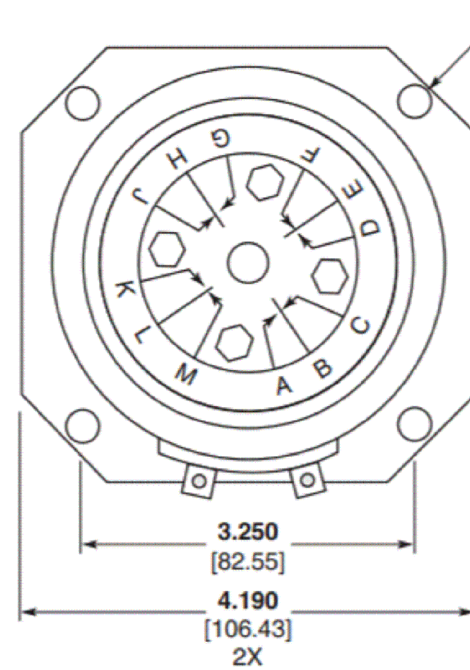


.196 .005  
[4.98 .13] Dia.  
4 Plcs.

Overall Height  
4PDT 3.13 [79.5] Max.  
8PDT 3.53 [89.7] Max.  
12PDT 3.88 [98.6] Max.

Coil and Contact Terminal Screws  
#5-40 Supplied.

#### Medium Models

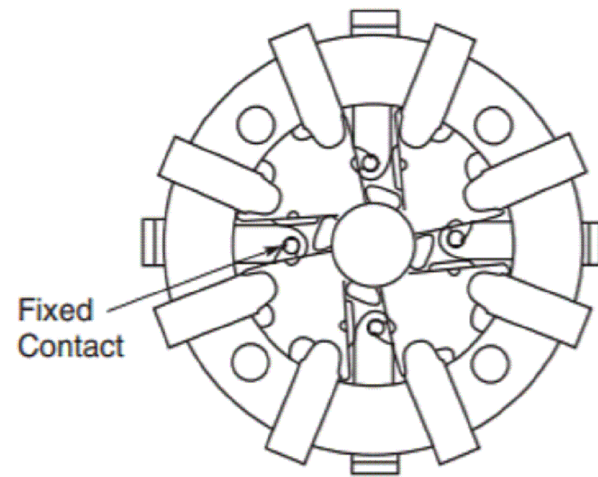


.281 .005  
[7.14 .13] Dia.  
4 Plcs.

Overall Height  
12PDT 4.63 [117.6] Max.  
16PDT 5.00 [127.0] Max.  
24PDT 5.75 [146.1] Max.

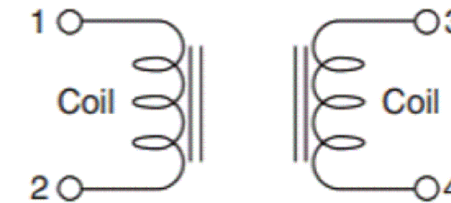
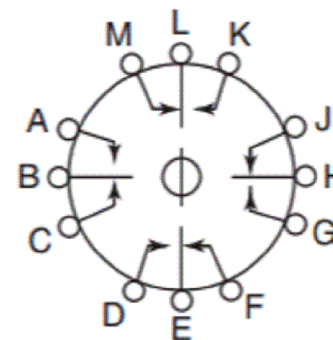
Coil and Contact Terminal Screws #5-40 Supplied.

### Contact Section




Fixed Contact

Contacts Shown With  
Coil 1-2 De-Energized  
and Coil 3-4 Energized.



Coils Must be Energized Alternately,  
Not Simultaneously.

ALL DIMENSIONS ARE IN INCHES (MM).

THIS DRAWING IS A CONTROLLED DOCUMENT.		DWN VM 09SEP2019	 TE Connectivity														
DIMENSIONS: INCHES		CHK RV 09SEP2019				NAME											
TOLERANCES UNLESS OTHERWISE SPECIFIED:		APVD DH 09SEP2019	MDR SERIES ROTARY RELAY														
<table border="1"> <tr><td>0 PLC</td><td>± -</td></tr> <tr><td>1 PLC</td><td>± -</td></tr> <tr><td>2 PLC</td><td>± -</td></tr> <tr><td>3 PLC</td><td>± -</td></tr> <tr><td>4 PLC</td><td>± -</td></tr> <tr><td>ANGLES</td><td>± -</td></tr> </table>		0 PLC	± -	1 PLC	± -	2 PLC	± -	3 PLC	± -	4 PLC	± -	ANGLES	± -	PRODUCT SPEC -	RESTRICTED TO -		
0 PLC	± -																
1 PLC	± -																
2 PLC	± -																
3 PLC	± -																
4 PLC	± -																
ANGLES	± -																
MATERIAL -		FINISH -	APPLICATION SPEC -	SIZE A3	CAGE CODE -												
			WEIGHT -	DRAWING NO. C-MDR-SERIES													
CUSTOMER DRAWING			SCALE NTS	SHEET 2 OF 2	REV A												

## X-ON Electronics

Largest Supplier of Electrical and Electronic Components

*Click to view similar products for [General Purpose Relays](#) category:*

*Click to view products by [TE Connectivity](#) manufacturer:*

Other Similar products are found below :

[JVN1AF-4.5V-F](#) [PCN-105D3MHZ](#) [5JO-10000S-SIL](#) [5JO-1000CD-SIL](#) [5JO-400CD-SIL](#) [LY2S-AC220/240](#) [LYQ20DC12](#) [6031007G](#)  
[6131406HQ](#) [6-1393099-8](#) [6-1393122-4](#) [6-1393123-2](#) [6-1393767-1](#) [6-1393843-7](#) [6-1415012-1](#) [6-1419102-2](#) [6-1423698-4](#) [6-1608051-6](#) [6-1608067-0](#) [6-1616170-6](#) [6-1616248-2](#) [6-1616282-3](#) [6-1616348-2](#) [6-1616349-9](#) [6-1616350-1](#) [6-1616350-8](#) [6-1616358-7](#) [6-1616359-9](#) [6-1616360-9](#) [6-1616931-6](#) [6-1617039-1](#) [6-1617052-1](#) [6-1617090-2](#) [6-1617090-5](#) [6-1617347-5](#) [6-1617353-3](#) [6-1617801-8](#) [6-1618107-9](#) [6-1618248-4](#) [CX-4014](#) [MAHC-5494](#) [MAVCD-5419-6](#) [703XCX-120A](#) [7-1393100-5](#) [7-1393111-7](#) [7-1393767-8](#) [7-1414968-8](#) [7-1419130-3](#) [7-1608047-2](#) [7-1608065-1](#)