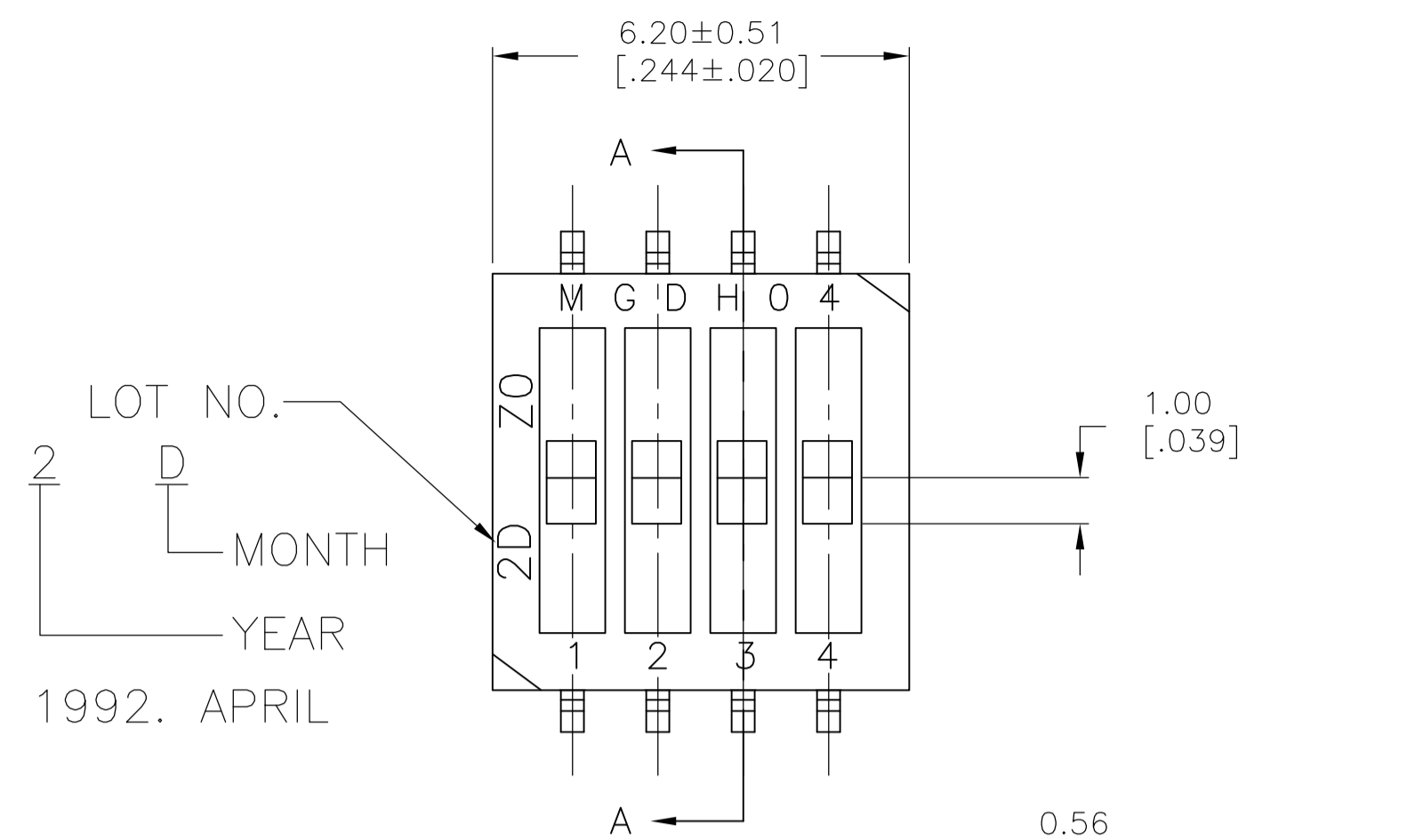
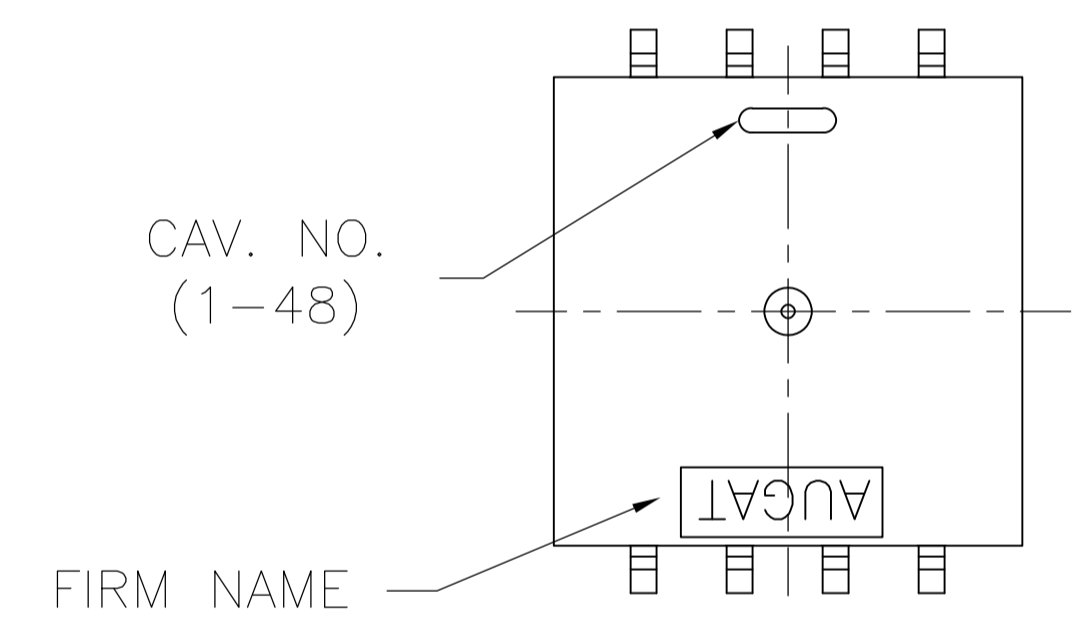
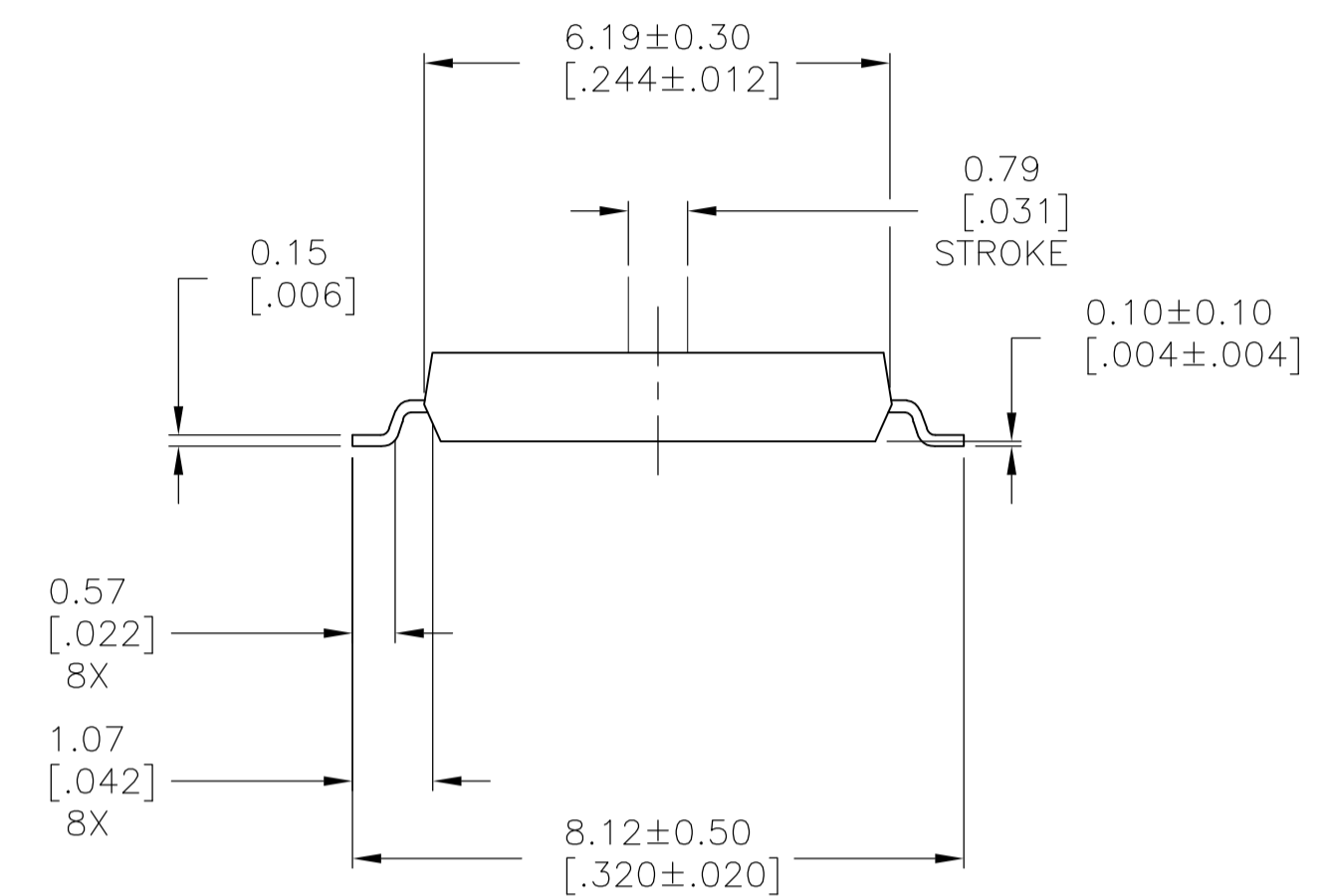
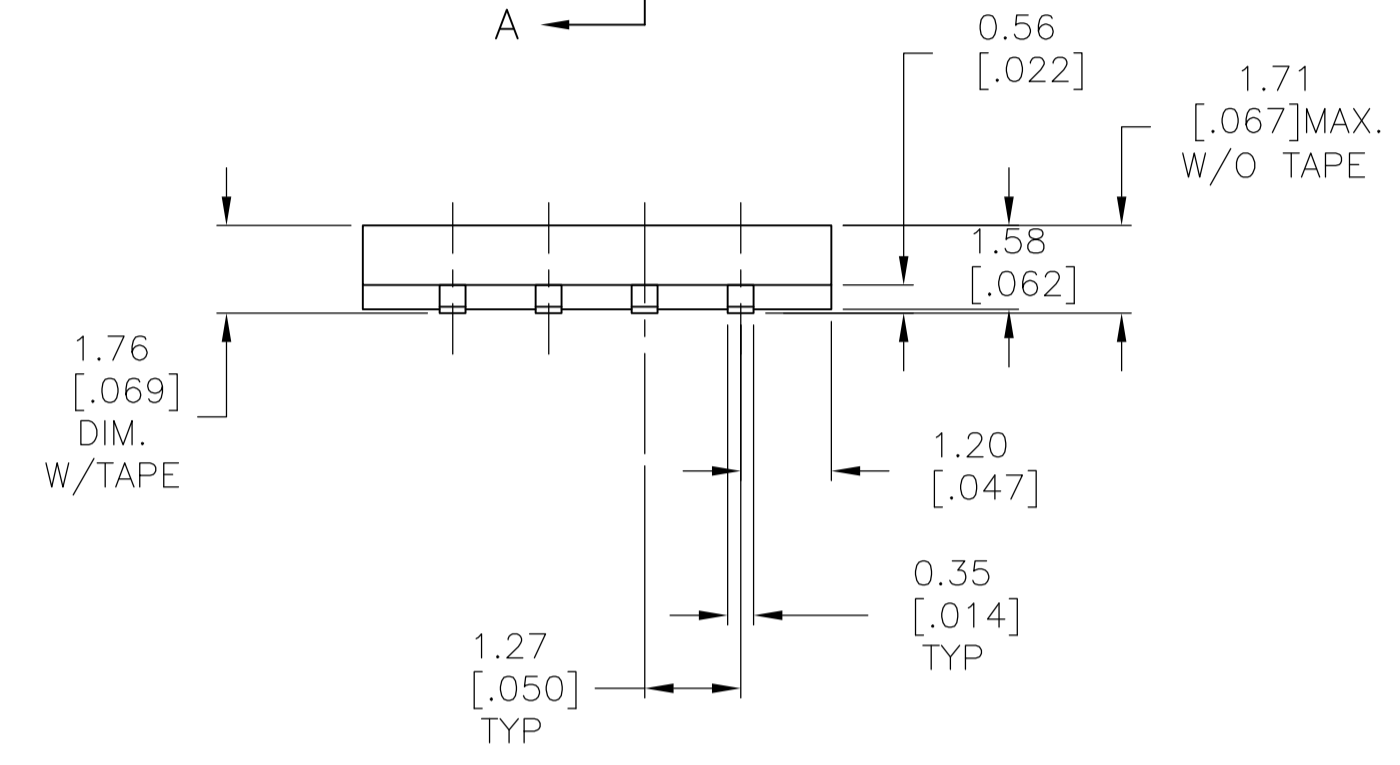


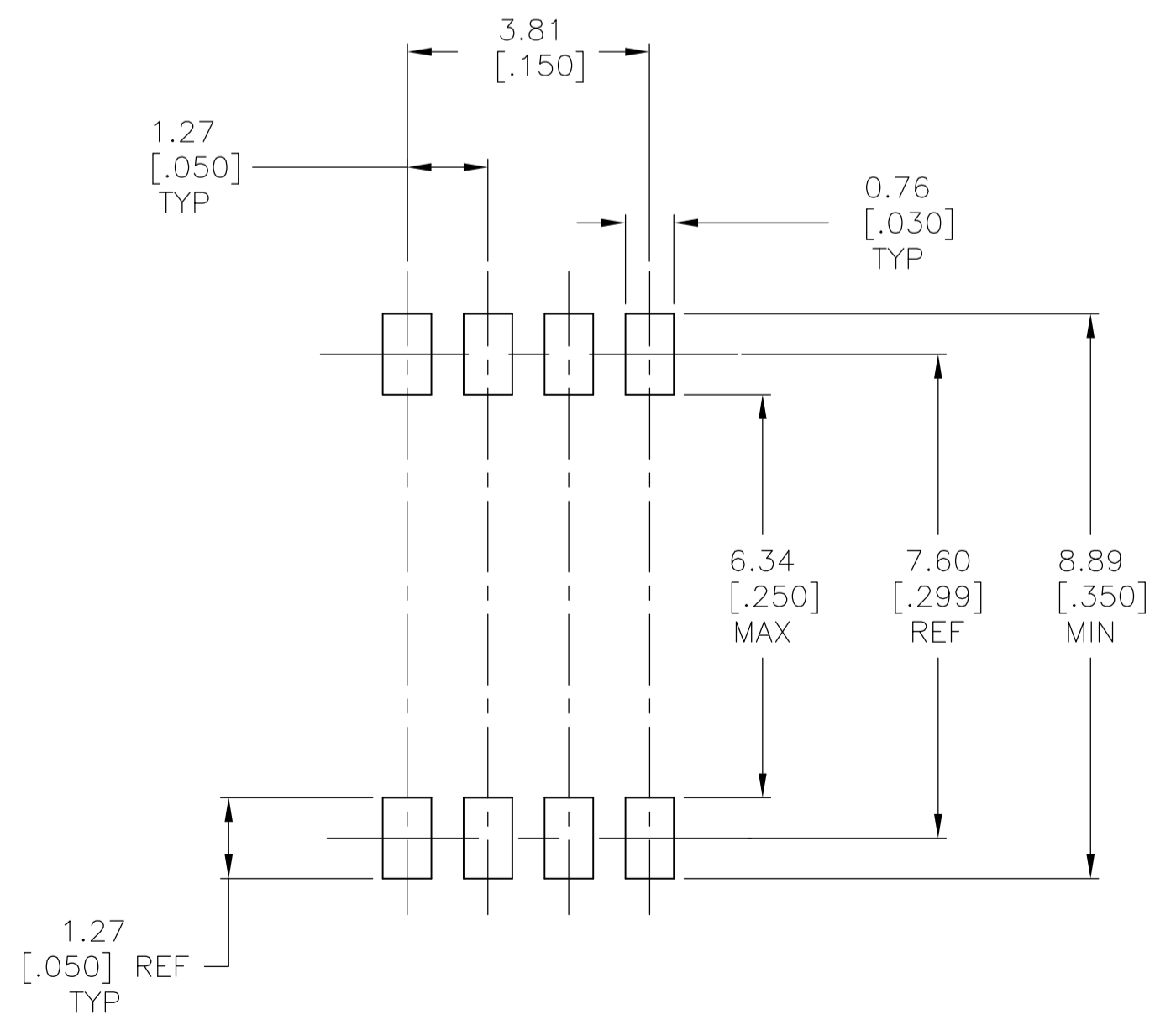
LOC		DIST		REVISIONS			
AD	00	REV	PER	DESCRIPTION	DATE	BY	APPROV
05		REVISED		ECO-11-013438	29JUN11	HMR	MW



LOT NO.
2 D
MONTH
YEAR
1992. APRIL



CAV. NO.
(1-48)
FIRM NAME



RECOMMENDED PAD LAYOUT
TOLERANCE ±.002 UNLESS OTHERWISE NOTED

SPECIFICATIONS:

MATERIALS:

CASE-PPS UL94V-0, BLACK
COVER-PPS UL94V-0, BLACK
ACTUATOR-LCP UL94V-0, WHITE
FIXED CONTACT-COPPER ALLOY, GOLD OVER NICKEL PLATE
MOVING CONTACT-COPPER ALLOY, GOLD OVER NICKEL PLATE
TERMINAL-COPPER ALLOY, GOLD OVER NICKEL PLATE
TAPE SEAL-POLYIMIDE FILM

ELECTRICAL:

CONTACT RATING: NON-SWITCHING: 100 MILLIAMPS @50 VDC
SWITCHING: 25 MILLIAMPS @24 VDC
INITIAL CONTACT RESISTANCE:100 MILLIOHMS MAX. @2 VDC. 10 mA.
INSULATION RESISTANCE: 100 MEGOHMS MIN AT 100 VDC
DIELECTRIC STRENGTH: 300 VAC, 1 MINUTE.
LIFE EXPECTANCY: 1,000 CYCLES MIN.

MECHANICAL:

ACTUATION FORCE: 600g MAX.

ENVIRONMENTAL:

OPERATING TEMPERATURE: -30°C TO +85°C
STORAGE TEMPERATURE: -45°C TO +100°C
SOLDER HEAT RESISTANCE PER 109-201, CONDITION B SWITCH IN OFF POSITION
SOLDERABILITY PER JIS C 0050 & JIS C 0053

- SUPPLIED WITH TAPE SEAL STANDARD
- SWITCH IS TO HAVE OVERALL HEIGHT AS SHOWN
- ITEM TO BE PACKAGED IN TUBES, QUANTITY PER TUBE=70
- SWITCH SHALL BE MARKED AS SHOWN
- ALL MATERIALS AND FINISHES SHALL COMPLY WITH EU DIRECTIVE 2002/95/EC OF 27JAN2003 (ROHS)
- TAPE AND REEL PACKAGING PER EIA-481

2000	T&R	MGDH04STR04	1825140-2
70	TUBE	MGDH04S04	1825140-1
QTY	PACKAGING	T&B P/N	TE P/N

THIS DRAWING IS A CONTROLLED DOCUMENT.

DIMENSIONS: mm [INCHES]	TOLERANCES UNLESS OTHERWISE SPECIFIED:	DIN S VISWESWARA M.S.SARVER	DTMAROS M.S.SARVER	TE Connectivity LOW PROFILE DIP SWITCH MGDH04	
0 PLC ± -	1 PLC ± -	APVD	NAME	SIZE	CAGE CODE
2 PLC ± 0.25[0.010]	3 PLC ± -	PRODUCT SPEC	DRAWING NO	A1	00779
4 PLC ± -	ANGLES ± -	APPLICATION SPEC	RESTRICTED TO	1825140	
MATERIAL	FINISH	WEIGHT	CUSTOMER DRAWING	SCALE	10:1
				SHEET	1 OF 1
				REV	05

X-ON Electronics

Largest Supplier of Electrical and Electronic Components

Click to view similar products for [Fixed Inductors](#) category:

Click to view products by [TE Connectivity](#) manufacturer:

Other Similar products are found below :

[CR43NP-680KC](#) [CR54NP-820KC](#) [CR54NP-8R5MC](#) [CTX32CT-100](#) [70F224AI](#) [MGDQ4-00004-P](#) [MHL1ECTTP18NJ](#) [MHL1JCTTD12NJ](#)
[PE-51506NL](#) [PE-53601NL](#) [PE-53602NL](#) [PE-53630NL](#) [PE-53824SNLT](#) [PE-62892NL](#) [PE-92100NL](#) [PG0434.801NLT](#) [PG0936.113NLT](#)
[9310-16](#) [PM06-2N7](#) [PM06-39NJ](#) [A01TK](#) [1206CS-471XJ](#) [HC2-2R2TR](#) [HC2LP-R47-R](#) [HC3-2R2-R](#) [1206CS-151XG](#) [RCH664NP-140L](#)
[RCH664NP-4R7M](#) [RCH8011NP-221L](#) [RCP1317NP-332L](#) [RCP1317NP-391L](#) [RCR1010NP-470M](#) [RCR110DNP-331L](#) [DH2280-4R7M](#)
[DS1608C-106](#) [ASPI-4020HI-R10M-T](#) [B10TJ](#) [B82477P4333M](#) [B82498B3101J000](#) [B82498B3680J000](#) [ELJ-RE27NJF2](#) [1812CS-153XJ](#)
[1812CS-183XJ](#) [1812CS-223XJ](#) [1812LS-104XJ](#) [1812LS-105XJ](#) [1812LS-124XJ](#) [1812LS-154XJ](#) [1812LS-223XJ](#) [1812LS-224XJ](#)