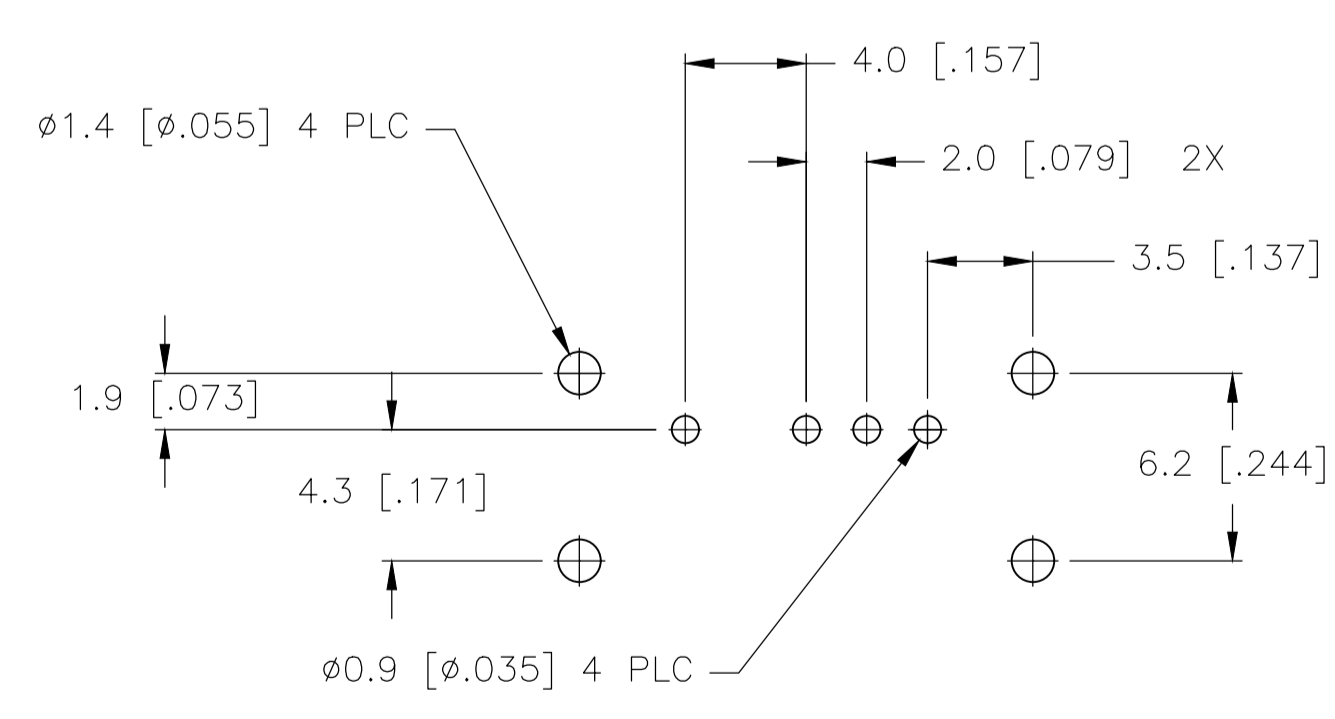
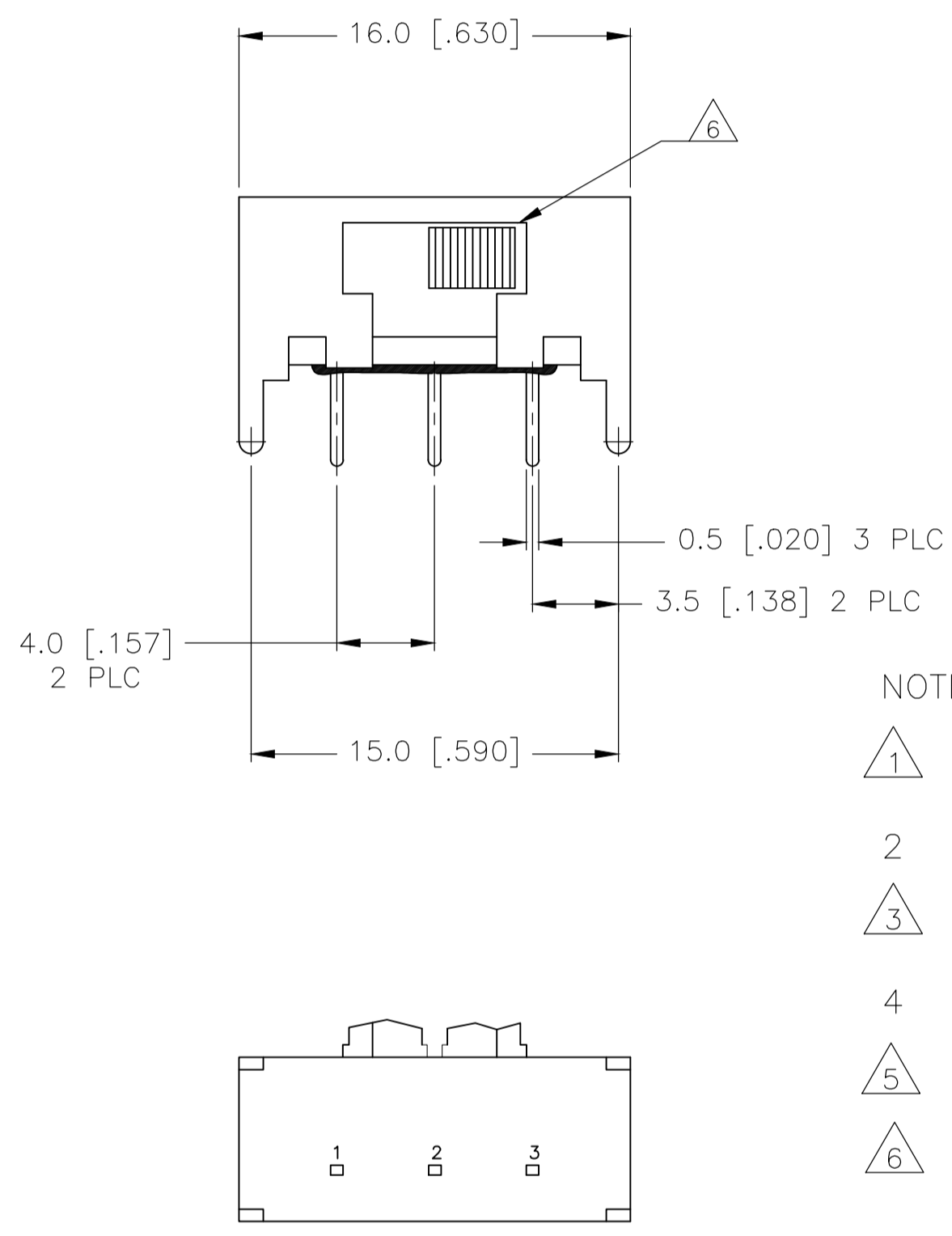
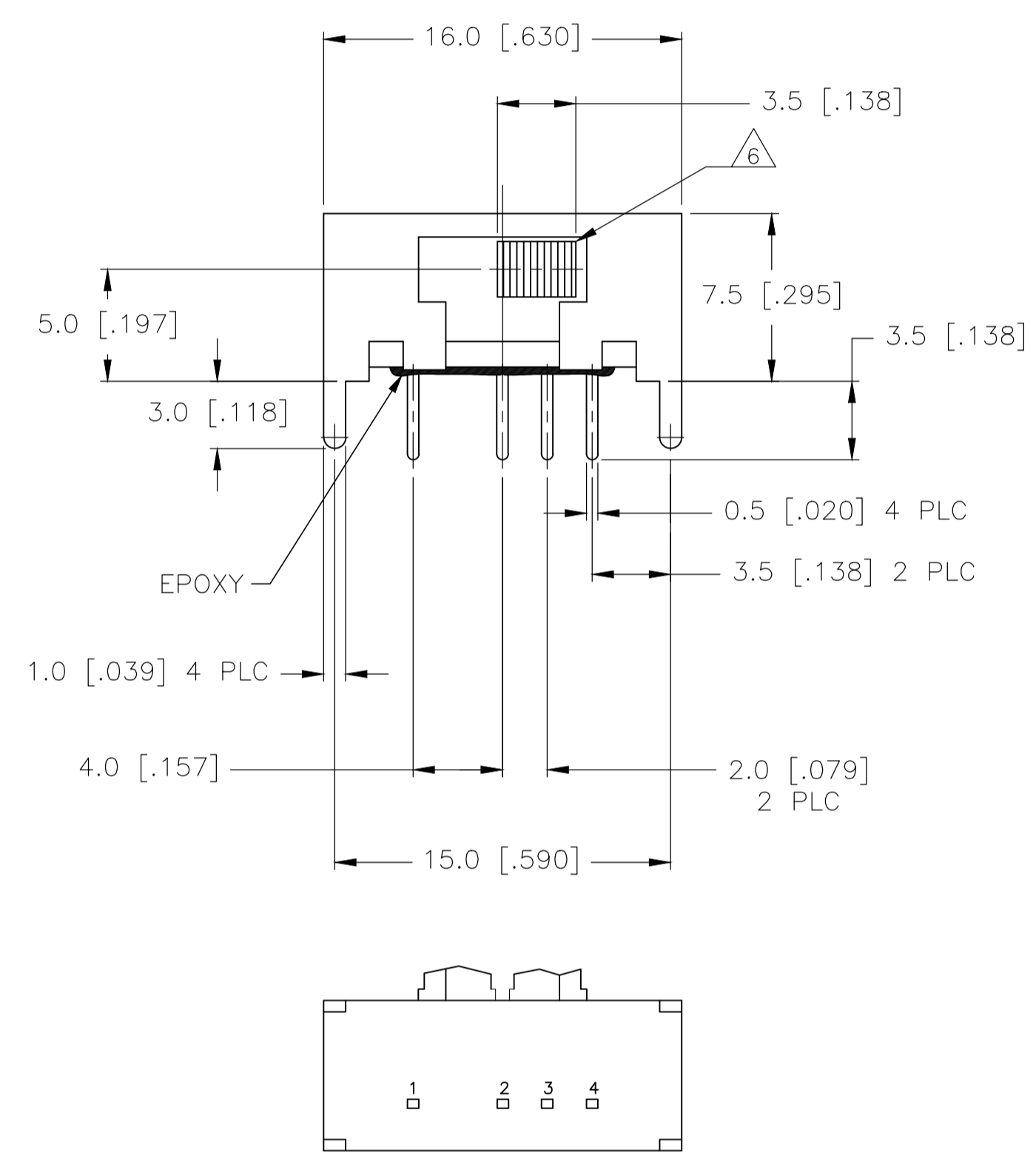
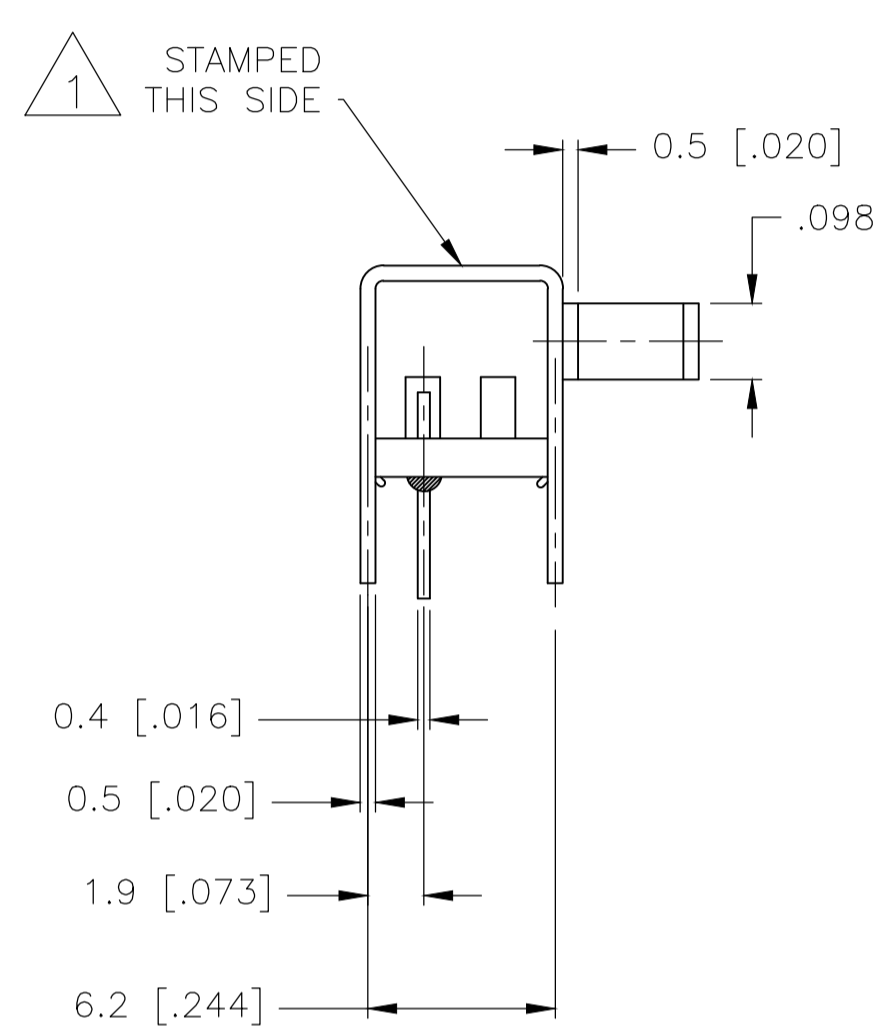
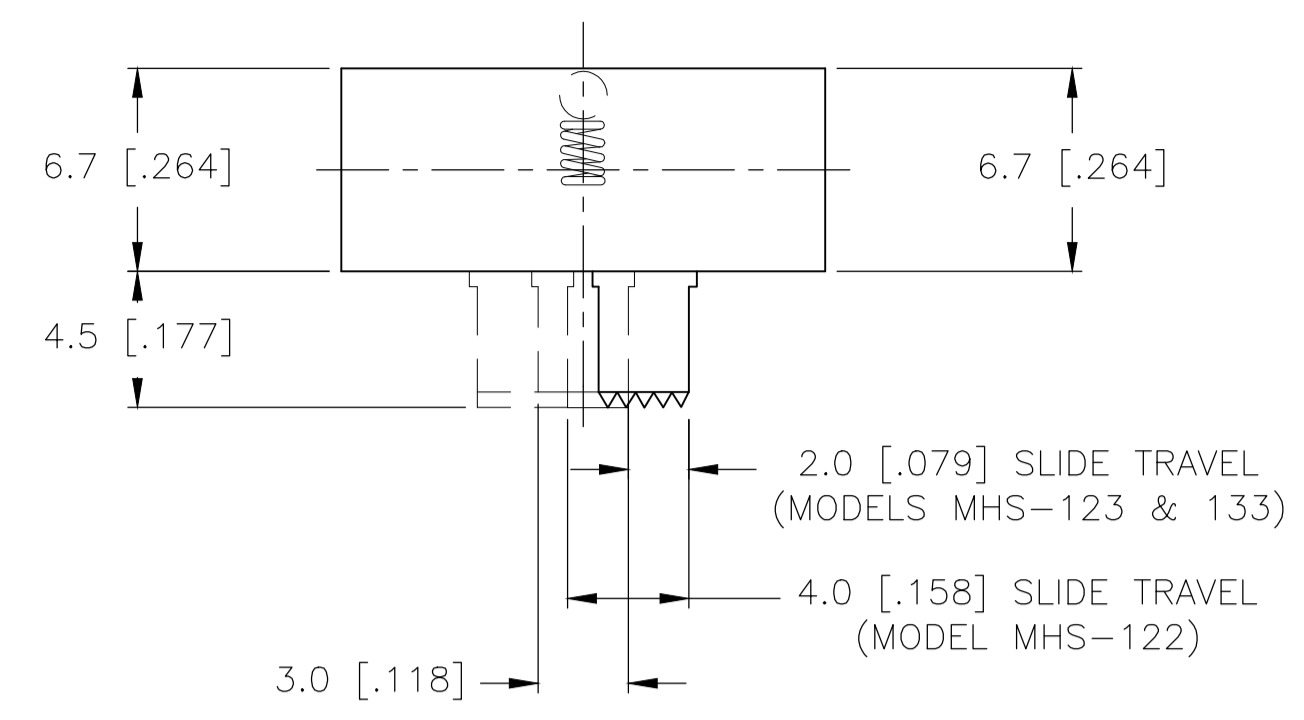
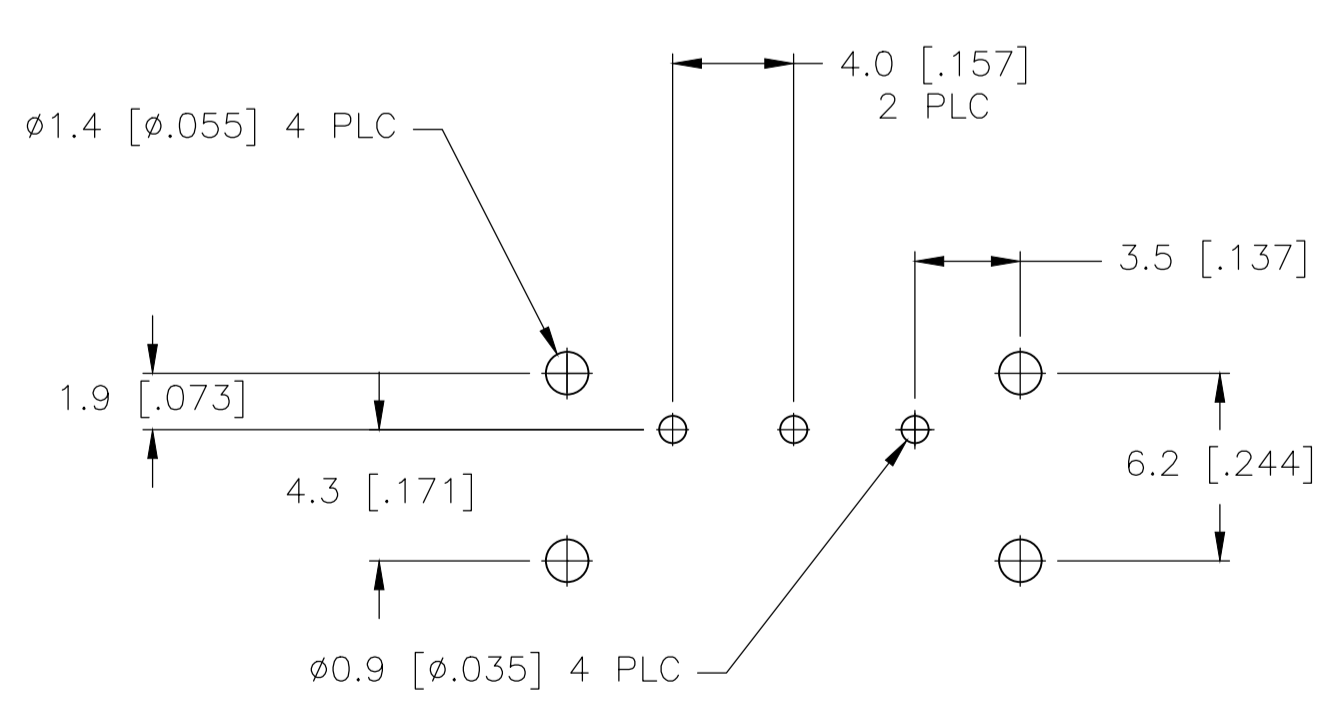


REVISIONS					
P	LTR	DESCRIPTION	DATE	DMN	APVD
A5		REVISED PER ECR-19-007953	23MAY2019	SR	PO



RECOMMENDED BOARD LAYOUT  
PC LAYOUT TOLERANCE: ±0.02

MHS-133 SERIES SWITCH



RECOMMENDED BOARD LAYOUT  
PC LAYOUT TOLERANCE: ±0.02

MHS-122 & 123 SERIES SWITCH

SPECIFICATIONS  
BREAK-BEFORE-MAKE

MATERIALS:  
ACTUATOR- POM, UL94HB BLACK  
TERMINAL BOARD- PHENOLIC LAMINATED SHEET, UL94HB, NATURAL  
FRAME- STEEL, NICKEL PLATE  
TERMINAL/FIXED CONTACT- COPPER ALLOY, GOLD OR SILVER OVER NICKEL PLATE  
MOVING CONTACT- COPPER ALLOY, GOLD OR SILVER OVER NICKEL PLATE  
DETENT BALL- STEEL  
COIL SPRING- GALVANIZED SPRING WIRE  
LEVER,(K SERIES ONLY)- ALUMINUM  
SEAL- EPOXY

ELECTRICAL:  
CONTACT RATING- .4VA@20VDC OR PEAK AC (GOLD); 300mA@125V AC (SILVER)PER EIA-448, METHOD  
INITIAL CONTACT RESISTANCE- 30 milliohm max.  
FINAL CONTACT RESISTANCE- 100 milliohm max. (AFTER TEST)  
INSULATION RESISTANCE- 1,000 Megohms min.  
DIELECTRIC STRENGTH- 500V RMS@SEA LEVEL  
LIFE EXPECTANCY- 15,000 CYCLES MIN.

MECHANICAL:  
ACTUATION FORCE- 600+/-300 GRAMS  
TRAVEL- 2.0 +/-0.50 (.079 +/-0.020) ["SEE P/N TABLE" for 1825256 & 1825290]

ENVIRONMENTAL:  
OPERATING TEMPERATURE- -20 TO +85 DEGREES C  
STORAGE TEMPERATURE- -40 TO +100 DEGREES C  
RESISTANCE TO SOLDER HEAT PER 109-202, CONDITION B  
SOLDERABILITY PER EIA-364-52, CLASS 2, CATEGORY 1, 95% MIN COVERAGE

- NOTES:
- 1 COUNTRY OF ORIGIN AND TE CONNECTIVITY LOGO LOCATED APPROXIMATELY AS SHOWN
  - 2 ALL MATERIALS AND FINISHES SHALL COMPLY WITH EU DIRECTIVE 2002/95/EC OF 27JAN2003 (ROHS)
  - 3 ANTI SOLDER WICK SEAL AT TERMINAL TO BOARD INTERFACE
  - 4 ALL PERFORMANCE TESTING WAS DONE IN ACCORDANCE TO TE CONNECTIVITY SPECIFICATION 102-2469
  - 5 OBSOLETE PARTS: OBSOLETE CIS STREAMLINING PER D.RENAUD/D.SINISI
  - 6 ACTUATOR SUPPLIED IN POSITION SHOWN.

PART NO.	T&B PART NO.	TRAVEL	CONTACT	1 2 3	1 2 3 4	1 2 3	1 2 3 4	1 2 3	1 2 3 4
1825256-6	MHS133GRA04	2.00		-	2-1	-	2-3	-	2-4
<b>OBSOLETE</b> 1825256-5	MHS123GRA04	2.00	GOLD	2-1	-	OFF	-	2-3	-
<b>OBSOLETE</b> 1825256-4	MHS122GRA04	4.00		2-1	-	NONE	-	2-3	-
1825256-3	MHS133RA04	2.00		-	2-1	-	2-3	-	2-4
<b>OBSOLETE</b> 1825256-2	MHS123RA04	2.00	SILVER	2-1	-	OFF	-	2-3	-
1825256-1	MHS122RA04	4.00		2-1	-	NONE	-	2-3	-

TERMINALS CONNECTED WHEN SLIDE IS IN POSITION SHOWN.

THIS DRAWING IS A CONTROLLED DOCUMENT. DIN R BROWN 20DEC05. CJK 19MAY03. M SARVER 19MAY03. NAME: SLIDE SWITCH, MHS SERIES, SINGLE POLE, RIGHT ANGLE. SIZE: A1. CAGE CODE: 00779. DRAWING NO: 1825256. RESTRICTED TO: CUSTOMER DRAWING. SCALE: 4:1. SHEET: 1 OF 1. REV: A5.

## X-ON Electronics

Largest Supplier of Electrical and Electronic Components

*Click to view similar products for [Slide Switches](#) category:*

*Click to view products by [TE Connectivity](#) manufacturer:*

Other Similar products are found below :

[6-1437581-1](#) [M43R](#) [MHSS1104A](#) [MMD](#) [GH36W010001](#) [GH49S010001](#) [1437576-8](#) [EPS1PC1](#) [1825074-1](#) [1825160-3](#) [1825167-2](#)  
[25139NLDB](#) [25449NAH](#) [L101011ML04B](#) [SLB1240R45](#) [SLSA12004](#) [1825078-1](#) [1825080-4](#) [1825081-1](#) [1825269-1](#) [1825270-2](#)  
[STS141RA04](#) [T2215BEN506](#) [GF-124-0204](#) [GH46P000001](#) [GH46W000001](#) [GH49P010001](#) [25339NA](#) [25436NLDH](#) [CST91246FK](#)  
[TG36P000000](#) [TG36P000050](#) [47227LFE](#) [49331L](#) [MHSS1105A](#) [50208L](#) [L202091MS02Q](#) [4-1437581-7](#) [X2225CR-437W](#) [48BFSP3M2QT](#)  
[49329L](#) [1101M1S3ZB8E2](#) [1-1437581-1](#) [EG1218REDACTUATOR](#) [TG39W000000](#) [1825075-1](#) [TG36WS80065](#) [T105S1CWZBE](#)  
[SLB1280R5](#) [25136NLDB](#)