

REVISIONS					
P	LTR	DESCRIPTION	DATE	DMN	APVD
B4		REVISED PER ECR-19-007953	23MAY2019	SR	PO

**SPECIFICATIONS**  
BREAK-BEFORE-MAKE

**MATERIALS:**  
 ACTUATOR- THERMOPLASTIC, UL94HB  
 TERMINAL BOARD- PHENOLIC LAMINATED SHEET, UL94HB, NATURAL  
 FRAME- STEEL, NICKEL PLATE  
 TERMINAL/FIXED CONTACT- COPPER ALLOY, GOLD OR SILVER OVER NICKEL PLATE  
 MOVING CONTACT- COPPER ALLOY, GOLD OR SILVER OVER NICKEL PLATE  
 DETENT BALL- STEEL  
 COIL SPRING- GALVANIZED SPRING WIRE  
 LEVER,(K SERIES ONLY)- ALUMINUM  
 SEAL- EPOXY

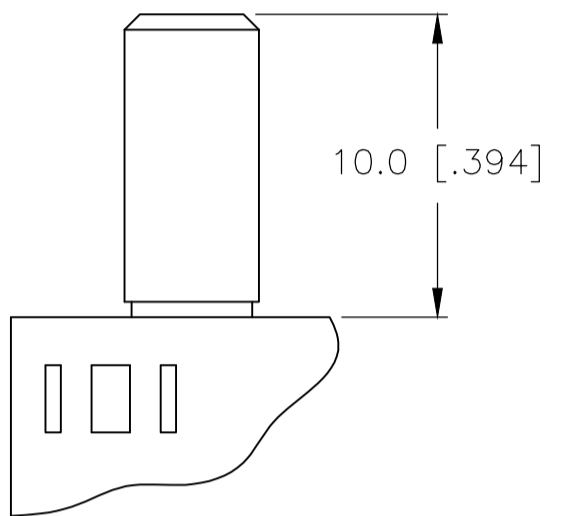
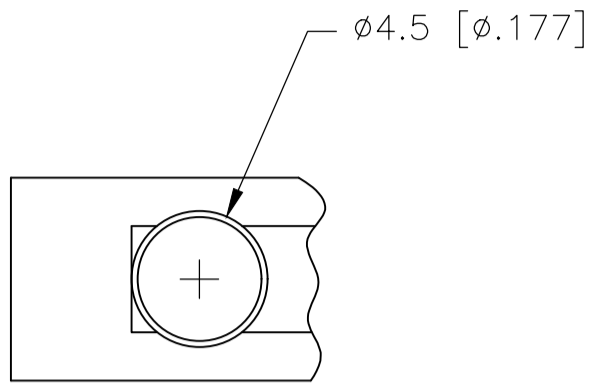
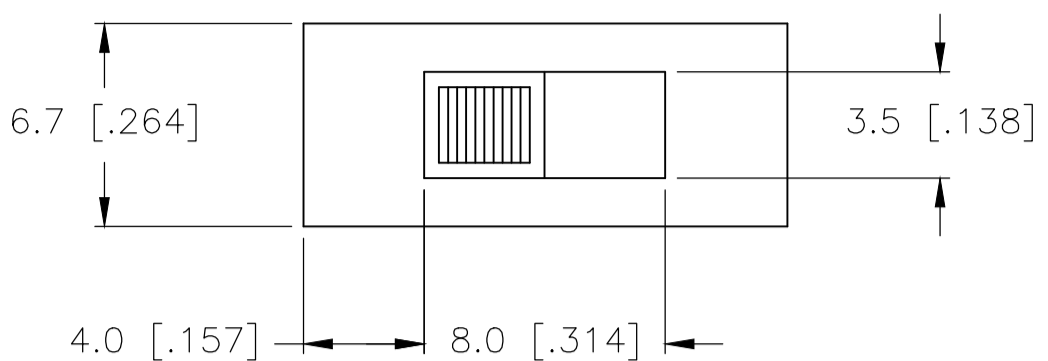
**ELECTRICAL:**  
 CONTACT RATING- .4VA@20VDC OR PEAK AC (GOLD); 300mA@125V AC (SILVER)  
 INITIAL CONTACT RESISTANCE- 30 milliohm max.  
 FINAL CONTACT RESISTANCE- 100 milliohm max. (AFTER TEST)  
 INSULATION RESISTANCE- 1,000 Megohms min.  
 DIELECTRIC STRENGTH- 500V RMS@SEA LEVEL  
 LIFE EXPECTANCY- 15,000 CYCLES MIN.

**MECHANICAL:**  
 ACTUATION FORCE- 600+/-300 GRAMS  
 TRAVEL- SEE P/N TABLE

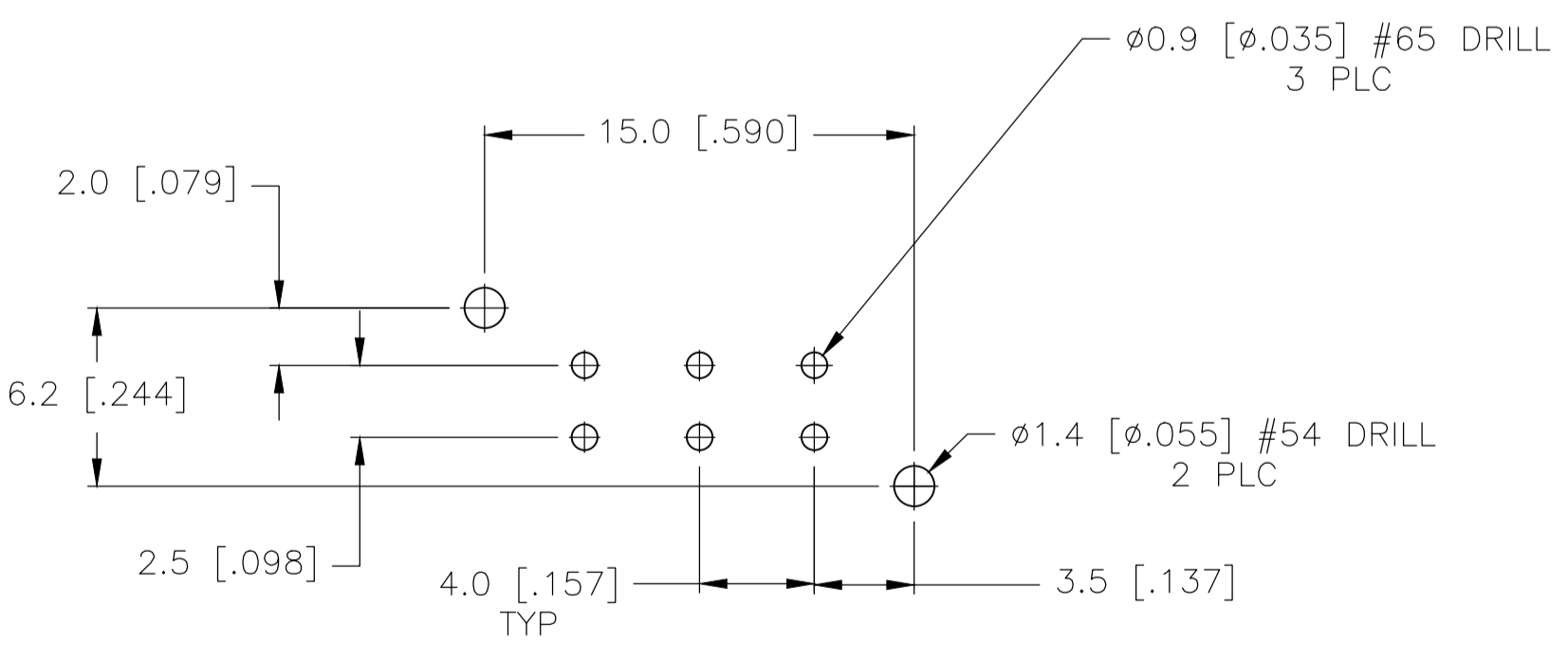
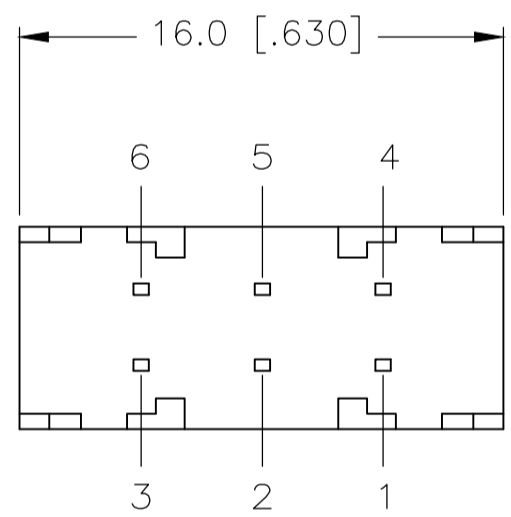
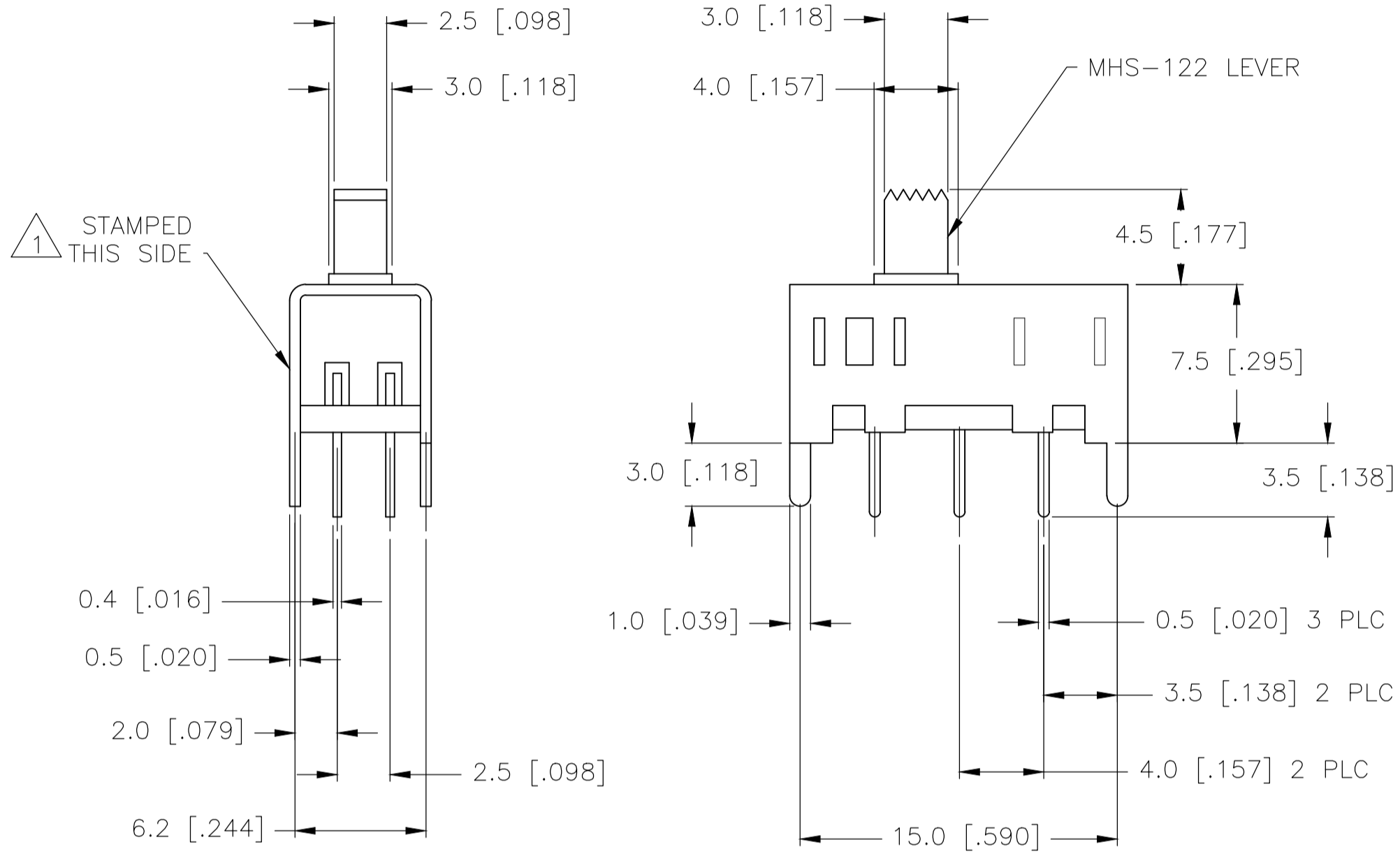
**ENVIRONMENTAL:**  
 OPERATING TEMPERATURE- -20 TO +85 DEGREES C  
 STORAGE TEMPERATURE- -40 TO +100 DEGREES C  
 RESISTANCE TO SOLDER HEAT PER 109-202, CONDITION B  
 SOLDERABILITY PER EIA-364-52, CLASS 2, CATEGORY 1, 95% MIN COVERAGE

**NOTES:**

- 1 COUNTRY OF ORIGIN AND TE CONNECTIVITY LOGO LOCATED APPROXIMATELY AS SHOWN
- 2 ALL MATERIALS AND FINISHES SHALL COMPLY WITH EU DIRECTIVE 2002/95/EC OF 27JAN2003 (ROHS)
- 3 ANTI SOLDER WICK SEAL AT TERMINAL TO BOARD INTERFACE
- 4 ALL PERFORMANCE TESTING WAS DONE IN ACCORDANCE TO TE CONNECTIVITY SPECIFICATION 102-2469
- 5 OBSOLETE PARTS: OBSOLETE CIS STREAMLINING PER D.RENAUD/D.SINISI



MHS222K & MHS223K LEVER



RECOMMENDED BOARD LAYOUT  
PC LAYOUT TOLERANCE: ±.002

MHS222 & MHS223 SERIES SWITCH

OBSELETE	1-1825289-4	MHS233KG04	DP3T	2.00	GOLD	-	6-5 2-1	-	7-6 3-2	-	8-6 4-2
	1-1825289-0	MHS233K04	DP3T	2.00	SILVER	-	6-5 2-1	-	7-6 3-2	-	8-6 4-2
	1825289-9	MHS233G04	DP3T	2.00	GOLD	-	6-5 2-1	-	7-6 3-2	-	8-6 4-2
	1825289-8	MHS23304	DP3T	2.00	SILVER	-	6-5 2-1	-	7-6 3-2	-	8-6 4-2
	-	MHS223KG04	DPDT	2.00	GOLD	5-4 2-1	-	OFF	-	6-5 3-2	-
	1825289-7	MHS223K04	DPDT	2.00	SILVER	5-4 2-1	-	OFF	-	6-5 3-2	-
	1825289-6	MHS223G04	DPDT	2.00	GOLD	5-4 2-1	-	OFF	-	6-5 3-2	-
	1825289-5	MHS22304	DPDT	2.00	SILVER	5-4 2-1	-	OFF	-	6-5 3-2	-
OBSELETE	1825289-4	MHS222KG04	DPDT	4.00	GOLD	5-4 2-1	-	NONE	-	6-5 3-2	-
	1825289-3	MHS222K04	DPDT	4.00	SILVER	5-4 2-1	-	NONE	-	6-5 3-2	-
	1825289-2	MHS222G04	DPDT	4.00	GOLD	5-4 2-1	-	NONE	-	6-5 3-2	-
	1825289-1	MHS22204	DPDT	4.00	SILVER	5-4 2-1	-	NONE	-	6-5 3-2	-
PART NO.	T&B PART NO.	TYPE	TRAVEL	PLATING	TE	TE	TE	TE	TE	TE	TE
					1 2 3 4 5 6	1 234 5 678	1 2 3 4 5 6	1 234 5 678	1 2 3 4 5 6	1 234 5 678	1 2 3 4 5 6

TERMINALS CONNECTED WHEN SLIDE IS IN POSITION SHOWN.

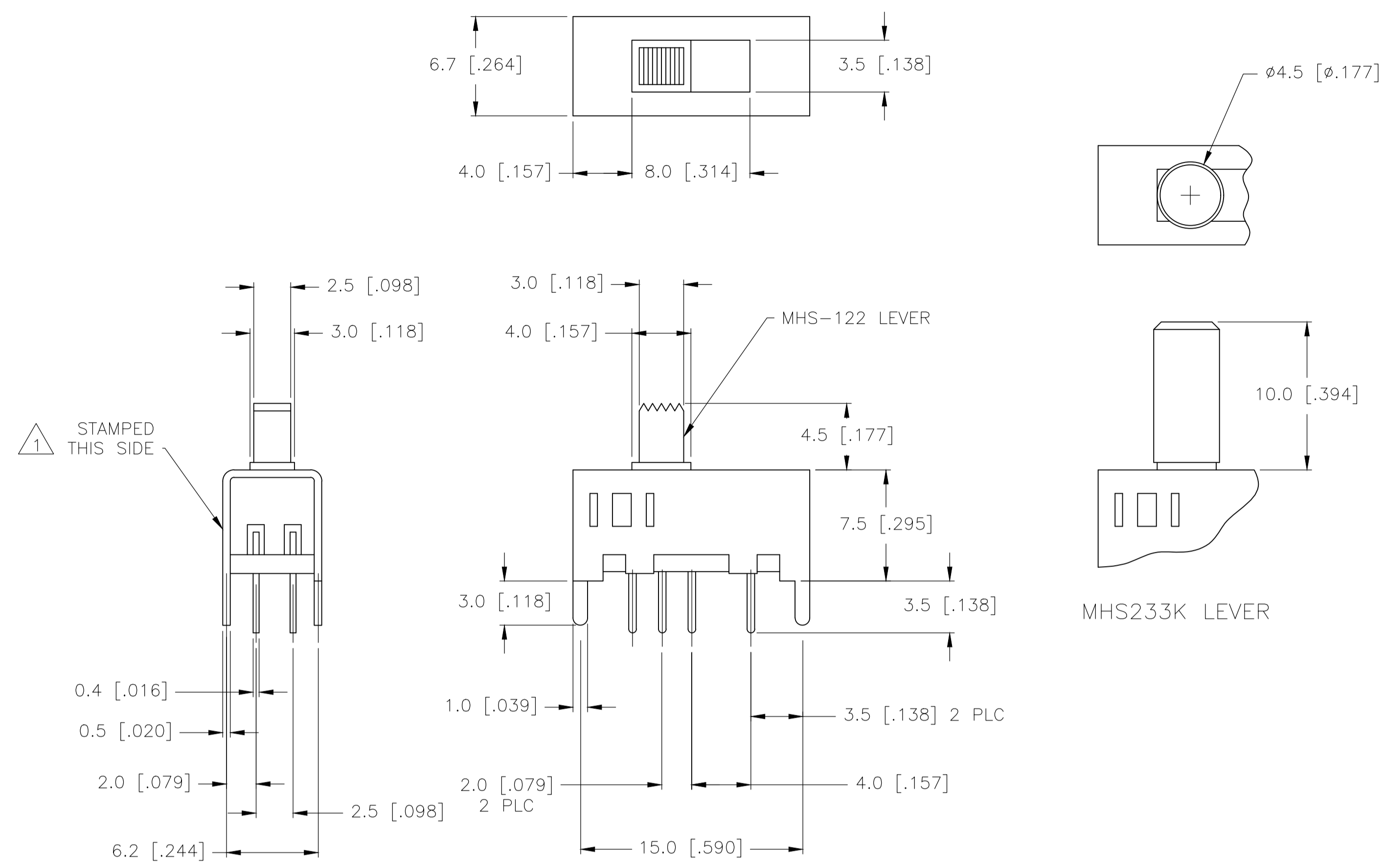
THIS DRAWING IS A CONTROLLED DOCUMENT. DIMENSIONS: mm. TOLERANCES UNLESS OTHERWISE SPECIFIED: 0 PLC ±, 1 PLC ±, 2 PLC ±, 3 PLC ±, 4 PLC ±. ANGLES ± 1°.

APPROVED: M. SARVER, 21DEC05. NAME: SLIDE SWITCH, MHS SERIES, DOUBLE POLE, VERTICAL. APPLICATION SPEC: -

SIZE: A1. CAGE CODE: 00779. DRAWING NO: 1825289. WEIGHT: -

CUSTOMER DRAWING. SCALE: 4:1. SHEET: 1 OF 2. REV: B4.

REVISIONS				
P	LTR	DESCRIPTION	DATE	APPD
-	-	SEE SHEET 1	-	-



SPECIFICATIONS  
BREAK-BEFORE-MAKE

MATERIALS:  
ACTUATOR- THERMOPLASTIC, UL94HB  
TERMINAL BOARD- PHENOLIC LAMINATED SHEET, UL94HB, NATURAL  
FRAME- STEEL, NICKEL PLATE  
TERMINAL/FIXED CONTACT- COPPER ALLOY, GOLD OR SILVER OVER NICKEL PLATE  
MOVING CONTACT- COPPER ALLOY, GOLD OR SILVER OVER NICKEL PLATE  
DETENT BALL- STEEL  
COIL SPRING- GALVANIZED SPRING WIRE  
LEVER,(K SERIES ONLY)- ALUMINUM  
SEAL- EPOXY

ELECTRICAL:  
CONTACT RATING- .4VA@20VDC OR PEAK AC (GOLD); 300mA@125V AC (SILVER)  
INITIAL CONTACT RESISTANCE- 30 milliohm max.  
FINAL CONTACT RESISTANCE- 100 milliohm max. (AFTER TEST)  
INSULATION RESISTANCE- 1,000 Megohms min.  
DIELECTRIC STRENGTH- 500V RMS@SEA LEVEL  
LIFE EXPECTANCY- 15,000 CYCLES MIN.

MECHANICAL:  
ACTUATION FORCE- 600+/-300 GRAMS  
TRAVEL- SEE P/N TABLE

ENVIRONMENTAL:  
OPERATING TEMPERATURE- -20 TO +85 DEGREES C  
STORAGE TEMPERATURE- -40 TO +100 DEGREES C  
RESISTANCE TO SOLDER HEAT PER 109-202, CONDITION B  
SOLDERABILITY PER EIA-364-52, CLASS 2, CATEGORY 1, 95% MIN COVERAGE

- NOTES:
1. COUNTRY OF ORIGIN AND TE CONNECTIVITY LOGO PER TEC-202-36 LOCATED APPROXIMATELY AS SHOWN
  2. ALL MATERIALS AND FINISHES SHALL COMPLY WITH EU DIRECTIVE 2002/95/EC OF 27JAN2003 (ROHS)
  3. ANTI SOLDER WICK SEAL AT TERMINAL TO BOARD INTERFACE
  4. ALL PERFORMANCE TESTING WAS DONE IN ACCORDANCE TO TE CONNECTIVITY SPECIFICATION 102-2469

RECOMMENDED BOARD LAYOUT  
PC LAYOUT TOLERANCE: ±.002

MHS233 SERIES  
SWITCH

THIS DRAWING IS A CONTROLLED DOCUMENT.		DIN R BROWN 21DEC05	TE Connectivity
DIMENSIONS: mm		CHK M SARVER 21DEC05	
TOLERANCES UNLESS OTHERWISE SPECIFIED:		APPD M SARVER 21DEC05	NAME
0 PLC ± -	1 PLC ± 0.3 [0.12]	PRODUCT SPEC	SLIDE SWITCH, MHS SERIES, DOUBLE POLE, VERTICAL
2 PLC ± -	3 PLC ± -	APPLICATION SPEC	SIZE CAGE CODE DRAWING NO
4 PLC ± -	ANGLES ± 1°	WEIGHT	A1 00779 C=1825289
MATERIAL	FINISH	CUSTOMER DRAWING	RESTRICTED TO
		SCALE 4:1	SHEET 2 OF 2 REV B4

## X-ON Electronics

Largest Supplier of Electrical and Electronic Components

*Click to view similar products for [Slide Switches](#) category:*

*Click to view products by [TE Connectivity](#) manufacturer:*

Other Similar products are found below :

[6-1437581-1](#) [M43R](#) [MHS123K15D](#) [MHS133K](#) [MHSS1104A](#) [MMD](#) [GH49S010001](#) [MSS12A](#) [EPS1PC1](#) [1825074-1](#) [1825160-3](#) [1825167-2](#)  
[1825289-7](#) [25139NLDB](#) [25449NAH](#) [SLB1240R45](#) [1825078-1](#) [1825080-4](#) [1825269-1](#) [1825270-2](#) [STS141RA04](#) [T2215BEN506](#)  
[GH46P000001](#) [GH46W000001](#) [GH49P010001](#) [25339NA](#) [M42A](#) [TG36P000000](#) [TG36P000050](#) [AYZ0202AG](#) [47227LFE](#) [49331L](#) [50208L](#)  
[L203091MS02Q](#) [4-1437581-7](#) [X2225CR-437W](#) [49329L](#) [1101M1S3ZB8E2](#) [1-1437581-1](#) [MSS2225G04](#) [TG39W000000](#) [1825075-1](#)  
[MSS42G](#) [TG36WS80065](#) [T105S1CWZBE](#) [SLB124145](#) [SLB1280R5](#) [SLB1340R45](#) [25136NLDB](#) [TG39W000050](#)