

**SPECIFICATIONS**  
**MAKE-BEFORE-BREAK**

**MATERIALS:**  
 ACTUATOR- POM, UL94HB BLACK  
 TERMINAL BOARD- PHENOLIC LAMINATED SHEET, UL94HB, NATURAL  
 FRAME- STEEL, NICKEL PLATE  
 TERMINAL/FIXED CONTACT- COPPER ALLOY, GOLD OR SILVER OVER NICKEL PLATE  
 MOVING CONTACT- COPPER ALLOY, GOLD OR SILVER OVER NICKEL PLATE  
 DETENT BALL- STEEL  
 COIL SPRING- GALVANIZED SPRING WIRE  
 LEVER,(K SERIES ONLY)- ALUMINUM  
 SEAL- EPOXY

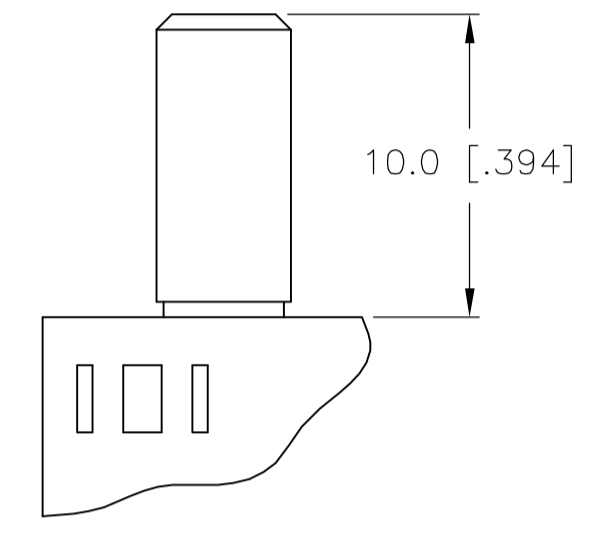
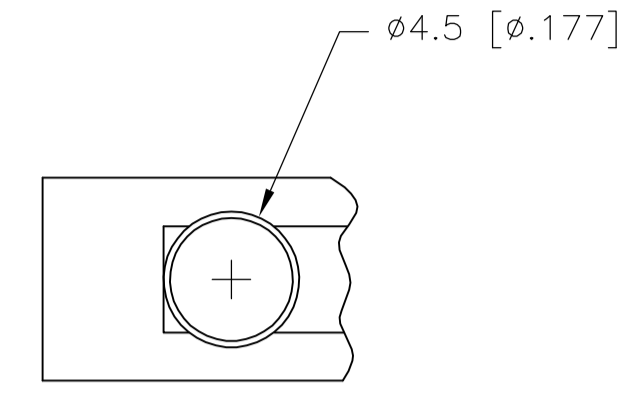
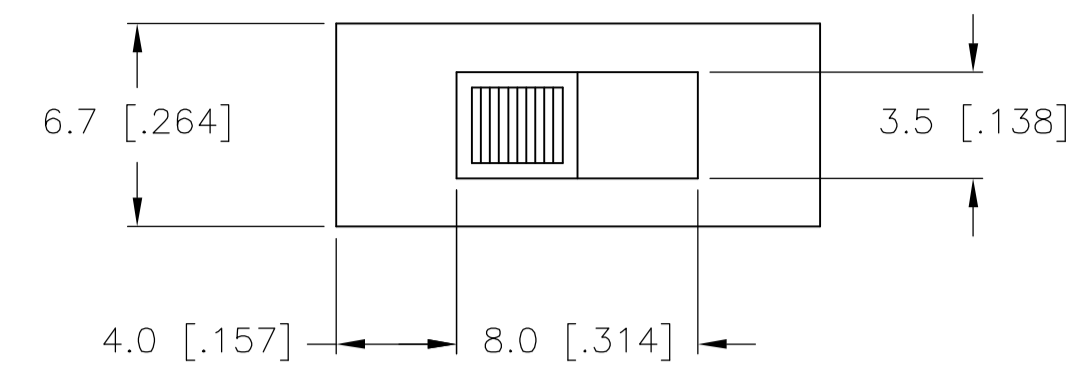
**ELECTRICAL:**  
 CONTACT RATING- .4VA@20VDC OR PEAK AC (GOLD); 300mA@125V AC (SILVER)  
 INITIAL CONTACT RESISTANCE- 30 milliohm max.  
 FINAL CONTACT RESISTANCE- 100 milliohm max. (AFTER TEST)  
 INSULATION RESISTANCE- 1,000 Megohms min.  
 DIELECTRIC STRENGTH- 500V RMS@SEA LEVEL  
 LIFE EXPECTANCY- 15,000 CYCLES MIN.

**MECHANICAL:**  
 ACTUATION FORCE- 600+/-300 GRAMS  
 TRAVEL- SEE P/N TABLE

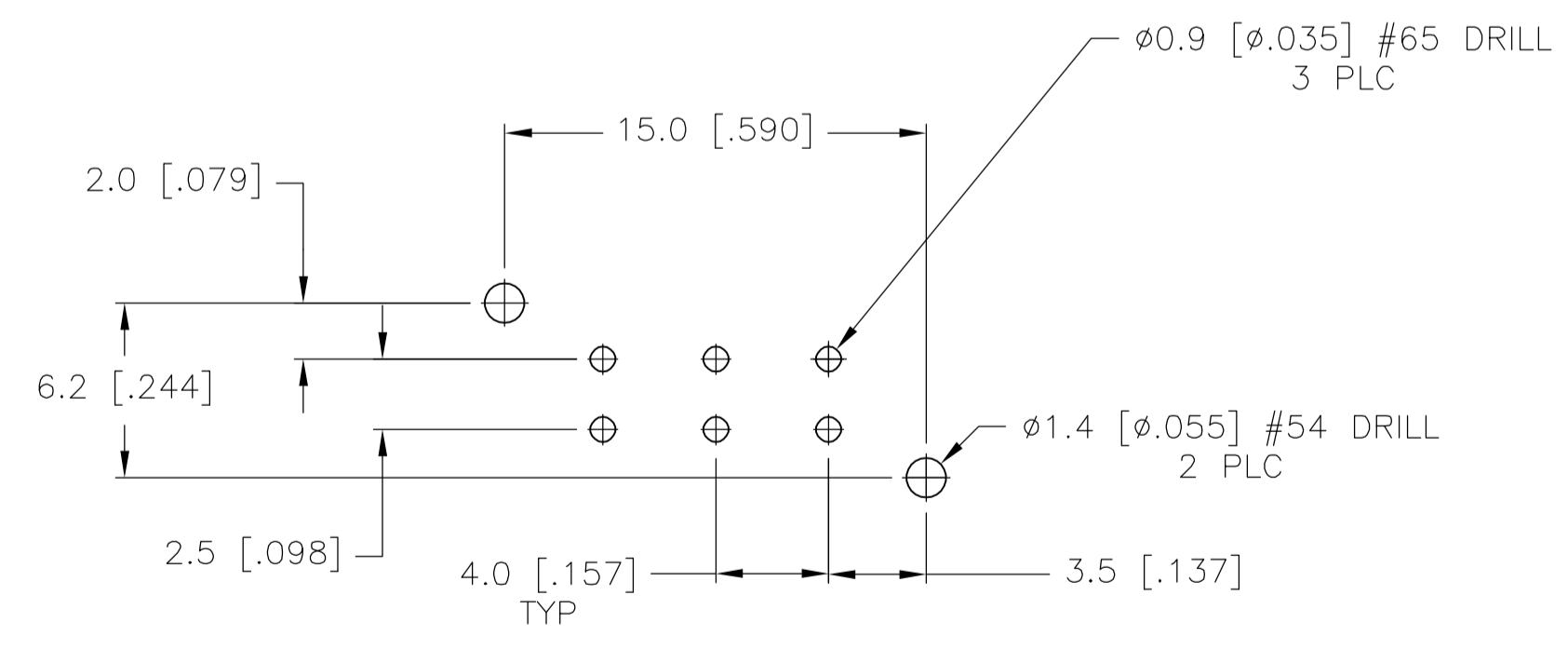
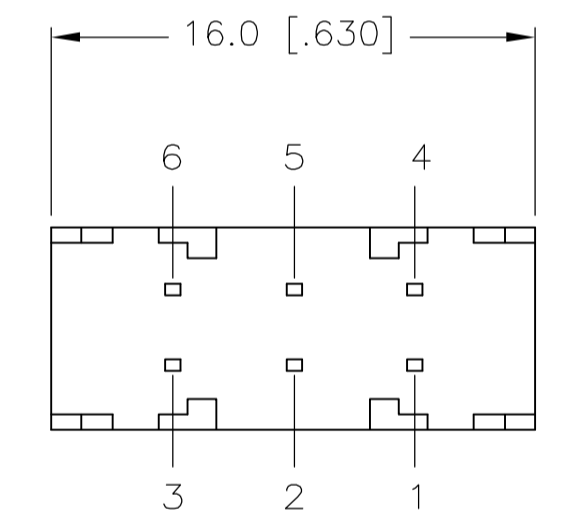
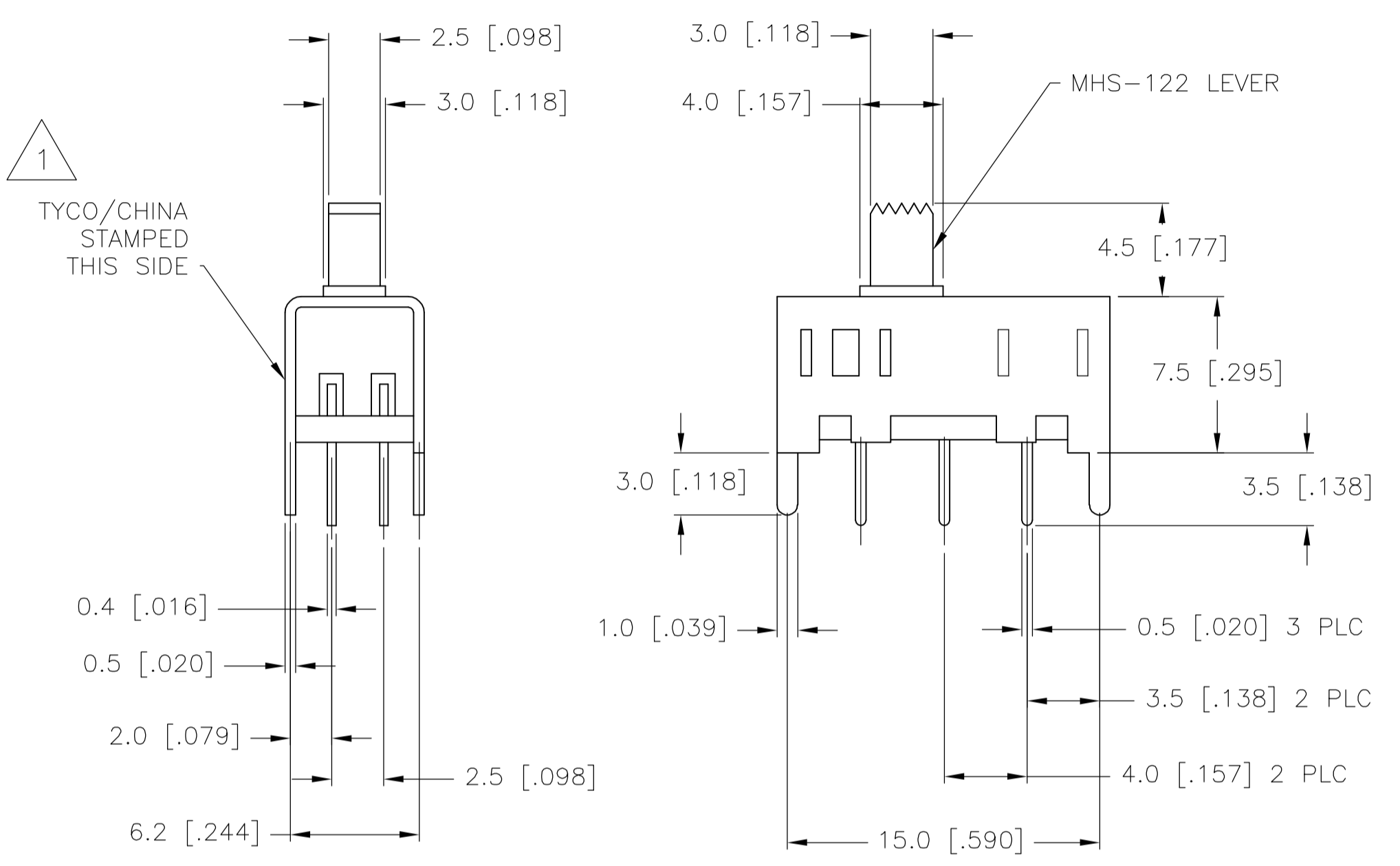
**ENVIRONMENTAL:**  
 OPERATING TEMPERATURE- -20 TO +85 DEGREES C  
 STORAGE TEMPERATURE- -40 TO +100 DEGREES C  
 RESISTANCE TO SOLDER HEAT PER 109-202, CONDITION B  
 SOLDERABILITY PER EIA-364-52, CLASS 2, CATEGORY 1, 95% MIN COVERAGE

**NOTES:**

- MARK PER 202-37 SPECIFICATION, *tyco*/CHINA MINIMUM REQUIREMENT
- ALL MATERIALS AND FINISHES SHALL COMPLY WITH EU DIRECTIVE 2002/95/EC OF 27JAN2003 (ROHS)
- ANTI SOLDER WICK SEAL AT TERMINAL TO BOARD INTERFACE
- ALL PERFORMANCE TESTING WAS DONE IN ACCORDANCE TO TYCO SPECIFICATION 102-2469



MHS222K & MHS223K LEVER



RECOMMENDED BOARD LAYOUT  
 PC LAYOUT TOLERANCE: ±.002

**MHS222 & MHS223 SERIES SWITCH**

TYCO PART NO.	T&B PART NO.	TYPE	TRAVEL	PLATING	TYCO	TYCO	TYCO	TYCO	TYCO	TYCO
1-1825289-1	MHS233KG04	DP3T	2.00	GOLD	6-5 2-1	-	7-6 3-2	-	8-6 4-2	-
1-1825289-0	MHS233K04	DP3T	2.00	SILVER	6-5 2-1	-	7-6 3-2	-	8-6 4-2	-
1825289-9	MHS233G04	DP3T	2.00	GOLD	6-5 2-1	-	7-6 3-2	-	8-6 4-2	-
1825289-8	MHS23304	DP3T	2.00	SILVER	6-5 2-1	-	7-6 3-2	-	8-6 4-2	-
-	MHS223KG04	DPDT	2.00	GOLD	5-4 2-1	-	OFF	-	6-5 3-2	-
1825289-7	MHS223K04	DPDT	2.00	SILVER	5-4 2-1	-	OFF	-	6-5 3-2	-
1825289-6	MHS223G04	DPDT	2.00	GOLD	5-4 2-1	-	OFF	-	6-5 3-2	-
1825289-5	MHS22304	DPDT	2.00	SILVER	5-4 2-1	-	OFF	-	6-5 3-2	-
1825289-4	MHS222KG04	DPDT	4.00	GOLD	5-4 2-1	-	NONE	-	6-5 3-2	-
1825289-3	MHS222K04	DPDT	4.00	SILVER	5-4 2-1	-	NONE	-	6-5 3-2	-
1825289-2	MHS222G04	DPDT	4.00	GOLD	5-4 2-1	-	NONE	-	6-5 3-2	-
1825289-1	MHS22204	DPDT	4.00	SILVER	5-4 2-1	-	NONE	-	6-5 3-2	-
TYCO PART NO.	T&B PART NO.	TYPE	TRAVEL	PLATING	TYCO	TYCO	TYCO	TYCO	TYCO	TYCO
					1 2 3 4 5 6	1 2 3 4 5 6	1 2 3 4 5 6	1 2 3 4 5 6	1 2 3 4 5 6	1 2 3 4 5 6

TERMINALS CONNECTED WHEN SLIDE IS IN POSITION SHOWN.

THIS DRAWING IS A CONTROLLED DOCUMENT.

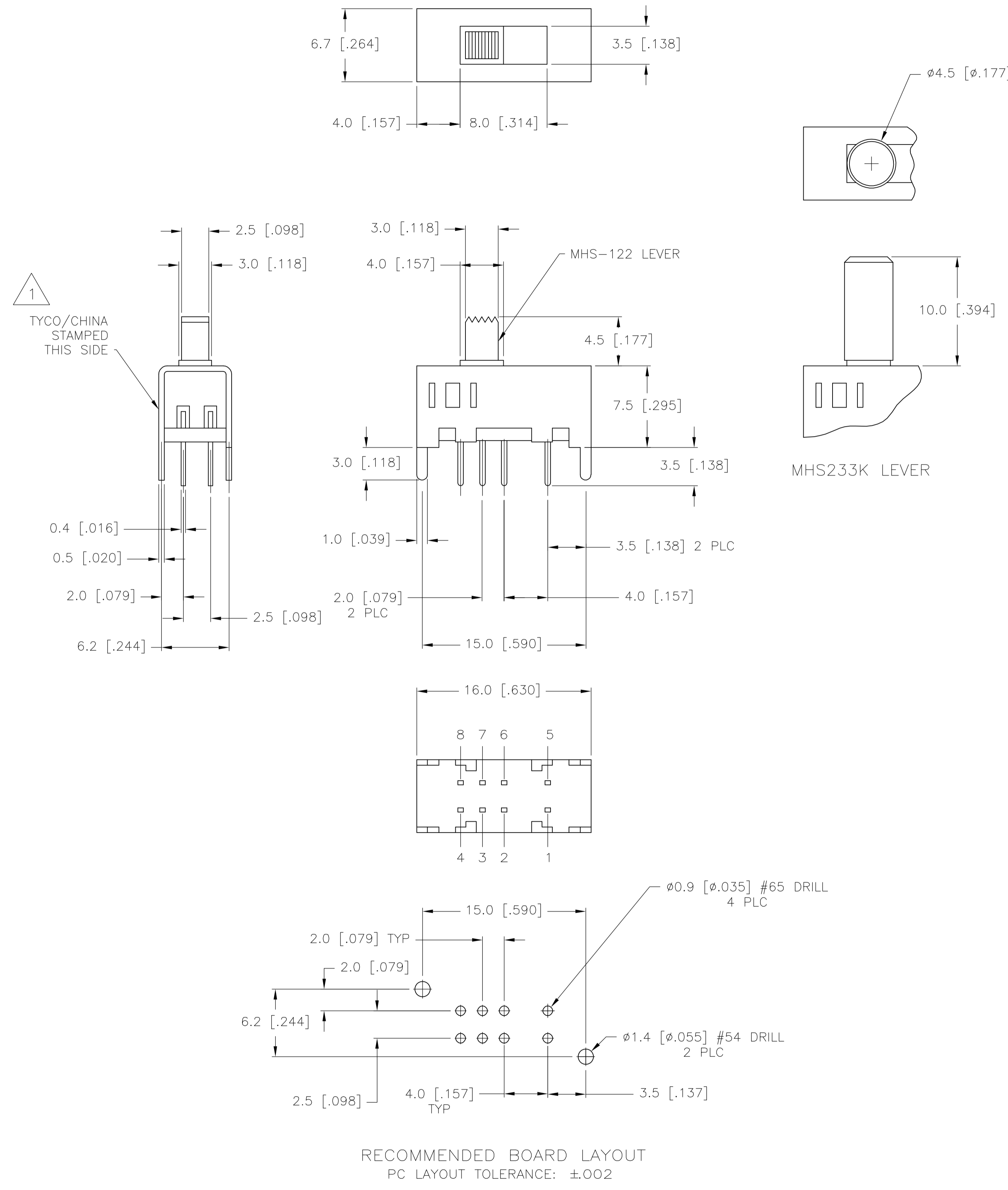
APPROVED	DATE	BY	DATE
M. SARVER	21DEC05	R. BROWN	21DEC05

TYCO Electronics Corporation  
 Harrisburg, Pa 17105-3608

SLIDE SWITCH, MHS SERIES, DOUBLE POLE, VERTICAL

SIZE: A1 00779 ©=1825289

CUSTOMER DRAWING SCALE: 4:1 SHEET 1 OF 2 REV A



**SPECIFICATIONS**  
 MAKE-BEFORE-BREAK

**MATERIALS:**  
 ACTUATOR- POM, UL94HB BLACK  
 TERMINAL BOARD- PHENOLIC LAMINATED SHEET, UL94HB, NATURAL  
 FRAME- STEEL, NICKEL PLATE  
 TERMINAL/FIXED CONTACT- COPPER ALLOY, GOLD OR SILVER OVER NICKEL PLATE  
 MOVING CONTACT- COPPER ALLOY, GOLD OR SILVER OVER NICKEL PLATE  
 DETENT BALL- STEEL  
 COIL SPRING- GALVANIZED SPRING WIRE  
 LEVER,(K SERIES ONLY)- ALUMINUM  
 SEAL- EPOXY

**ELECTRICAL:**  
 CONTACT RATING- .4VA@20VDC OR PEAK AC (GOLD); 300mA@125V AC (SILVER)PER EIA-448, METHOD  
 INITIAL CONTACT RESISTANCE- 30 milliohm max.  
 FINAL CONTACT RESISTANCE- 100 milliohm max. (AFTER TEST)  
 INSULTAION RESISTANCE- 1,000 Megohms min.  
 DIELECTRIC STRENGTH- 500V RMS@SEA LEVEL  
 LIFE EXPECTANCY- 15,000 CYCLES MIN.

**MECHANICAL:**  
 ACTUATION FORCE- 600+/-300 GRAMS  
 TRAVEL- 2.0 +/--.50 (.079 +/--.020) ["SEE P/N TABLE" for 1825256 & 1825290]

**ENVIRONMENTAL:**  
 OPERATING TEMPERATURE- -20 TO +85 DEGREES C  
 STORAGE TEMPERATURE- -40 TO +100 DEGREES C  
 RESISTANCE TO SOLDER HEAT PER 109-202, CONDITION B  
 SOLDERABILITY PER EIA-364-52, CLASS 2, CATEGORY 1, 95% MIN COVERAGE

**NOTES:**

- MARK PER 202-37 SPECIFICATION, *tyco*/CHINA MINIMUM REQUIREMENT
- ALL MATERIALS AND FINISHES SHALL COMPLY WITH EU DIRECTIVE 2002/95/EC OF 27JAN2003 (ROHS)
- ANTI SOLDER WICK SEAL AT TERMINAL TO BOARD INTERFACE
- ALL PERFORMANCE TESTING WAS DONE IN ACCORDANCE TO TYCO SPECIFICATION 102-2469

**MHS233 SERIES SWITCH**

THIS DRAWING IS A CONTROLLED DOCUMENT.		DWG R BROWN	21DEC05	<b>tyco</b> Electronics	Tyco Electronics Corporation Harrisburg, Pa 17105-3608	
DIMENSIONS: mm		CHK M SARVER	21DEC05		NAME SLIDE SWITCH, MHS SERIES, DOUBLE POLE, VERTICAL	
TOLERANCES UNLESS OTHERWISE SPECIFIED:		APP'D M SARVER	21DEC05	PRODUCT SPEC		
0 PLC ± -		APPLICATION SPEC		SIZE		
1 PLC ± 0.3 [.012]		WEIGHT		CAGE CODE		
2 PLC ± -		CUSTOMER DRAWING		DRAWING NO		
3 PLC ± -		SCALE 4:1		SHEET 2 OF 2		
4 PLC ± -		REV A		REV		
ANGLES ± 1°		MATERIAL		FINISH		
MATERIAL		SCALE 4:1		SHEET 2 OF 2		
FINISH		REV A		REV		

## X-ON Electronics

Largest Supplier of Electrical and Electronic Components

*Click to view similar products for [Slide Switches](#) category:*

*Click to view products by [TE Connectivity](#) manufacturer:*

Other Similar products are found below :

[6-1437581-1](#) [M43R](#) [MHS123K15D](#) [MHS133K](#) [MHSS1104A](#) [MMD](#) [GH49S010001](#) [MSS12A](#) [EPS1PC1](#) [1825074-1](#) [1825160-3](#) [1825167-2](#)  
[1825289-7](#) [K232CB](#) [25139NLDB](#) [25449NAH](#) [SLB1240R45](#) [1825078-1](#) [1825080-4](#) [1825269-1](#) [1825270-2](#) [STS141RA04](#) [T2215BEN506](#)  
[GH46P000001](#) [GH46W000001](#) [GH49P010001](#) [25339NA](#) [M42A](#) [TG36P000000](#) [TG36P000050](#) [AYZ0202AG](#) [47227LFE](#) [49331L](#) [50208L](#)  
[L203091MS02Q](#) [4-1437581-7](#) [X2225CR-437W](#) [49329L](#) [1101M1S3ZB8E2](#) [1-1437581-1](#) [MSS2225G04](#) [TG39W000000](#) [1825075-1](#)  
[MSS42G](#) [TG36WS80065](#) [T105S1CWZBE](#) [SLB124145](#) [SLB1280R5](#) [SLB1340R45](#) [25136NLDB](#)