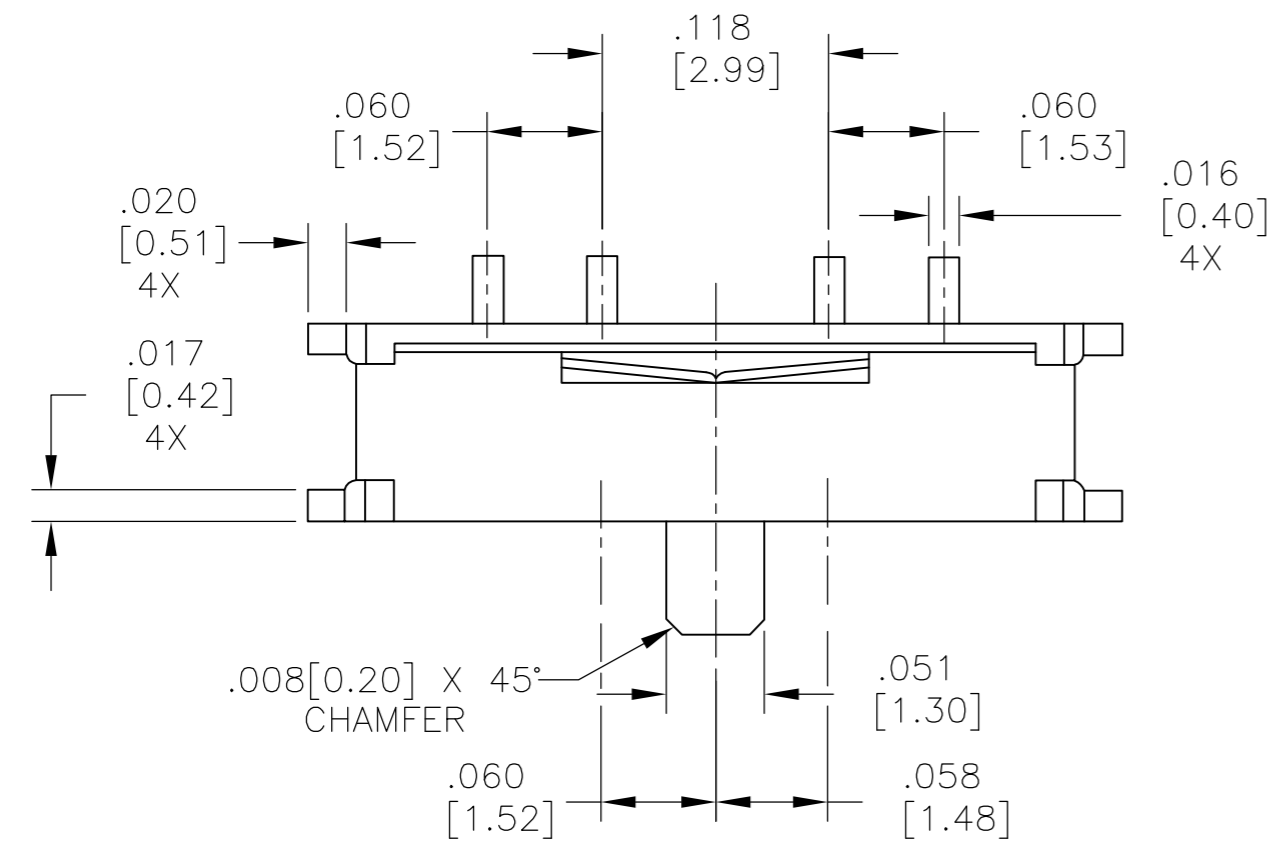


THIS DRAWING IS UNPUBLISHED. RELEASED FOR PUBLICATION
 © COPYRIGHT - By - ALL RIGHTS RESERVED.

LOC	DIST	REVISIONS					
AD	00	P	LTR	DESCRIPTION	DATE	DWN	APVD
		A2		REVISED PER ECO-15-012471	02SEP2015	NK	RH



SPECIFICATIONS:

MATERIALS:

CASE: LCP UL94V-0, BLACK
 COVER, NICKEL SILVER ALLOY-PLATE SILVER OVER NICKEL.
 ACTUATOR: NYLON 46 UL94V-0, BLACK
 MOVING CONTACT: COPPER ALLOY-PLATE SILVER OVER NICKEL
 FIXED CONTACT/TERMINAL, COPPER ALLOY-PLATE SILVER OVER NICKEL
 SPRING PLATE, STAINLESS STEEL-PLATE SILVER OVER NICKEL

ELECTRICAL:

CONTACT RATING: 300mA@4VDC.
 INITIAL CONTACT RESISTANCE, 70 MILLIOHMS MAX.
 FINAL CONTACT RESISTANCE, 100 MILLIOHMS MAX.
 INSULATION RESISTANCE: 100 MEGAOHMS MIN.
 DIELECTRIC STRENGTH: 100 VAC FOR 1 MINUTE.
 LIFE EXPECTANCY: 10,000 CYCLES.

MECHANICAL:

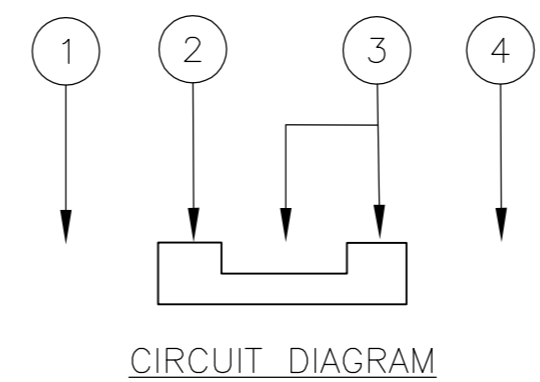
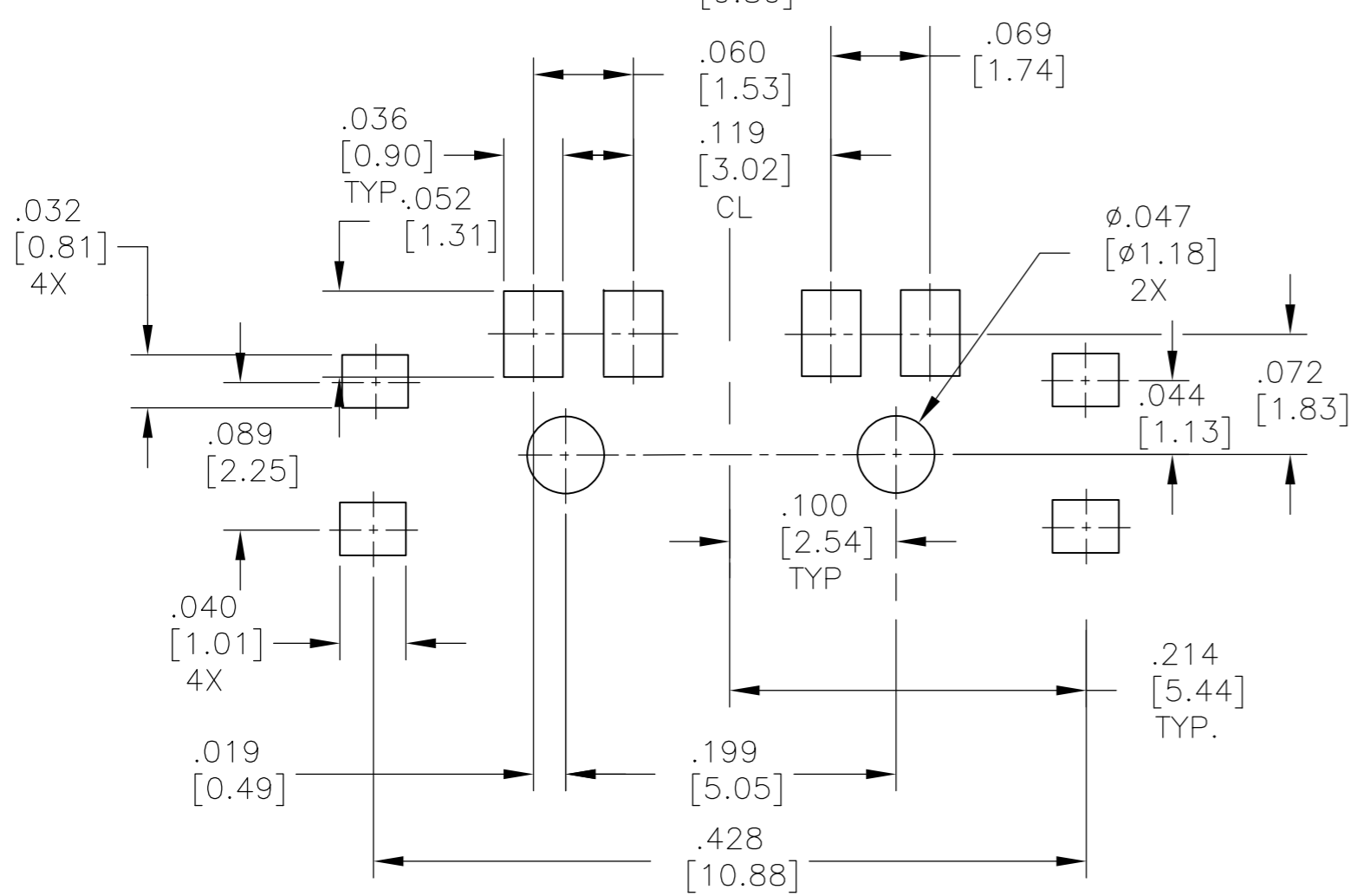
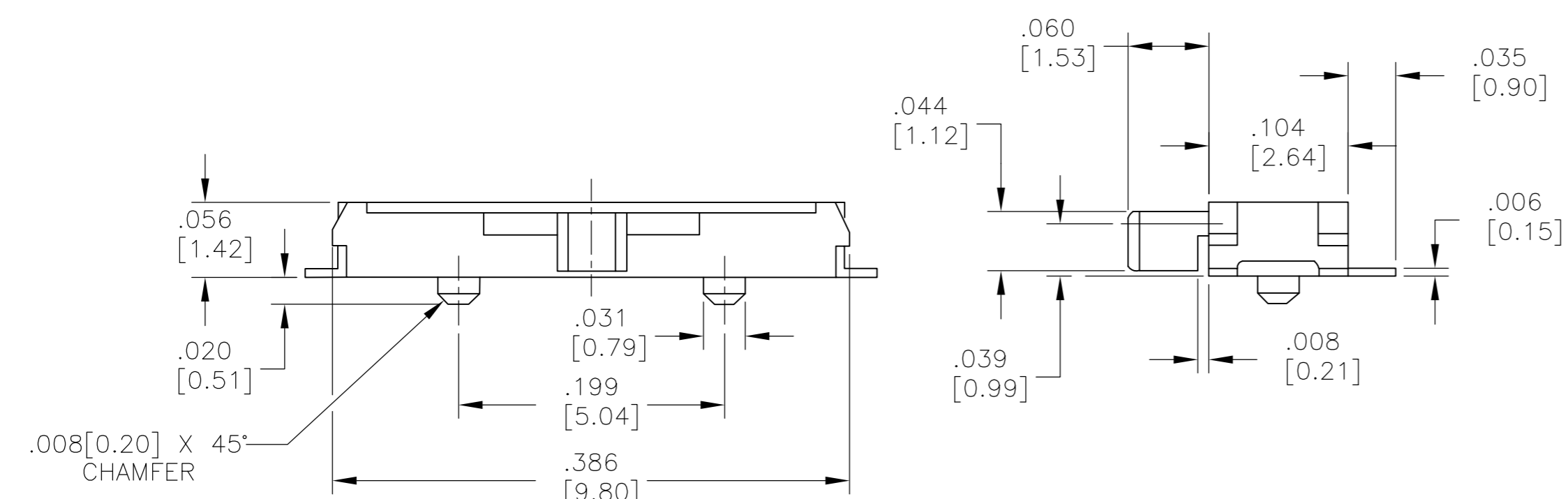
ACTUATION FORCE: 200±100g.
 ACTUATION TRAVEL, 1.50±0.15
 LIFE EXPECTANCY, 10,000 CYCLES.

ENVIRONMENTAL:

OPERATING TEMPERATURE, -20 TO +85 DEGREES C, -40 TO +85 DEGREES C LIFE EXPECTANCY 1000 CYCLES.
 STORAGE TEMPERATURE, -40 TO +100 DEGREES C
 HUMIDITY, MIL-STD-202, METHOD 103, CONDITION B
 MOISTURE RESISTANCE, MIL-STD-202, METHOD 106
 THERMAL SHOCK, MIL-STD-202, METHOD 107, CONDITION A
 SOLDERABILITY, PER EIA-364-52, CLASS 2, CATEGORY 1, 95%MINIMUM COVERAGE
 RESISTENCE TO SOLDER HEAT, 109-201, CONDITION B

NOTES:

1 ALL MATERIALS AND FINISHES SHALL COMPLY WITH EU DIRECTIVE 2002/95/EC OF 27JAN2003(ROHS).



RECOMMENDED FOOTPRINT TOLERANCE ±.002 UNLESS OTHERWISE NOTED

MLL1300STR	5-1437575-2
MLL1300S	1437575-3
ALCO P/N	PART NO.

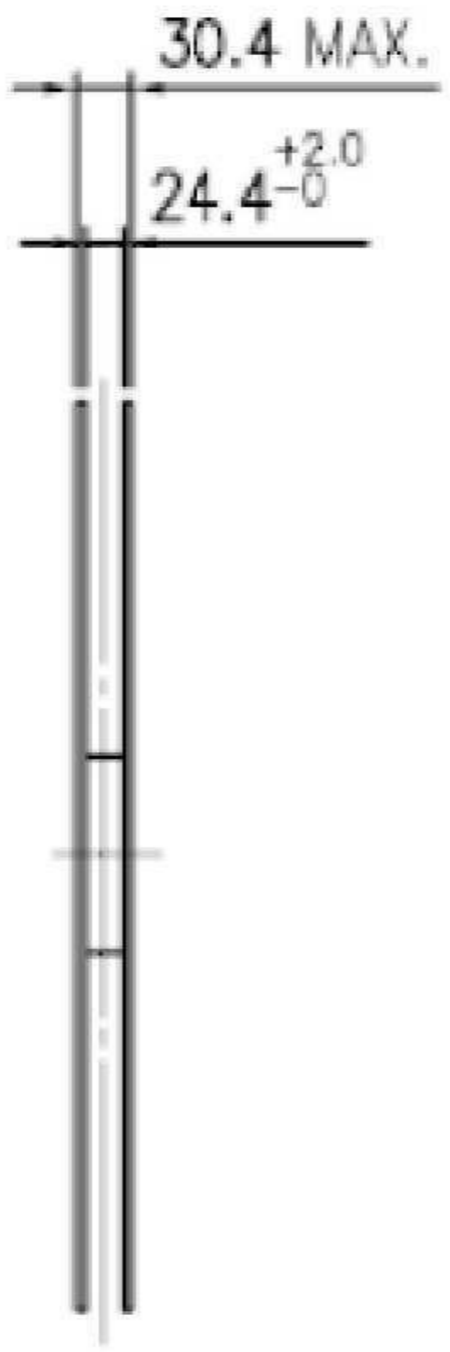
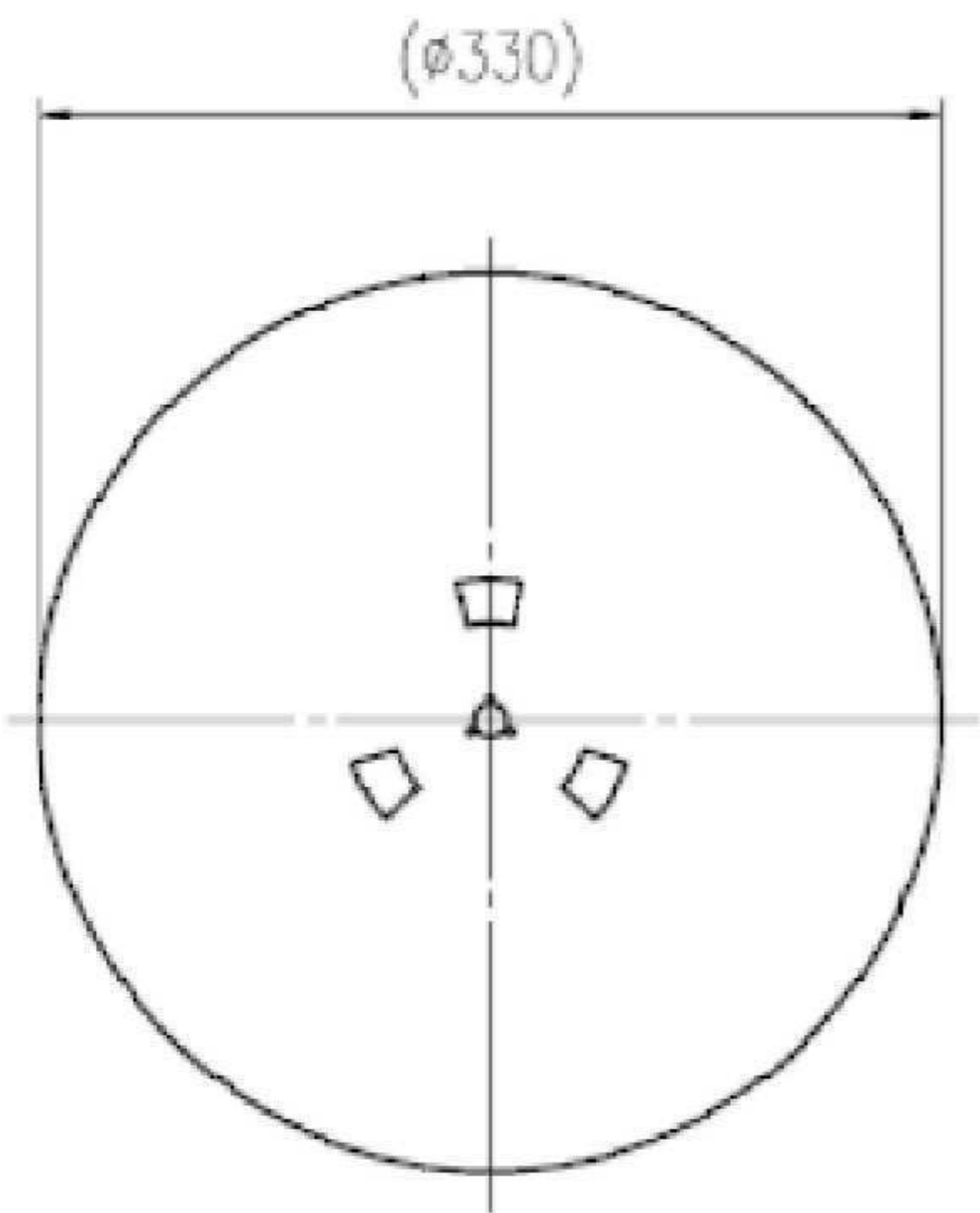
THIS DRAWING IS A CONTROLLED DOCUMENT.		DWN S.KIRCORIAN 31JAN96	TE Connectivity	
DIMENSIONS: INCHES [mm]		CHK -	NAME SLIDE SWITCH SP3T R/A LOW PROFILE SMT	
TOLERANCES UNLESS OTHERWISE SPECIFIED:		APVD MLL 02JAN96	SIZE A2 CAGE CODE 00779 C=1437575-3	
0 PLC ± -		PRODUCT SPEC -	DRAWING NO 1437575-3	
1 PLC ± -		APPLICATION SPEC -	RESTRICTED TO -	
2 PLC ± -		WEIGHT -	SCALE 10:1 SHEET 1 of 2 REV A2	
3 PLC ± .005[0.13]		CUSTOMER DRAWING		
4 PLC ± -				
ANGLES ± 1°				
MATERIAL SEE SPECIFICATIONS		FINISH SEE SPECIFICATIONS		

1437575-3

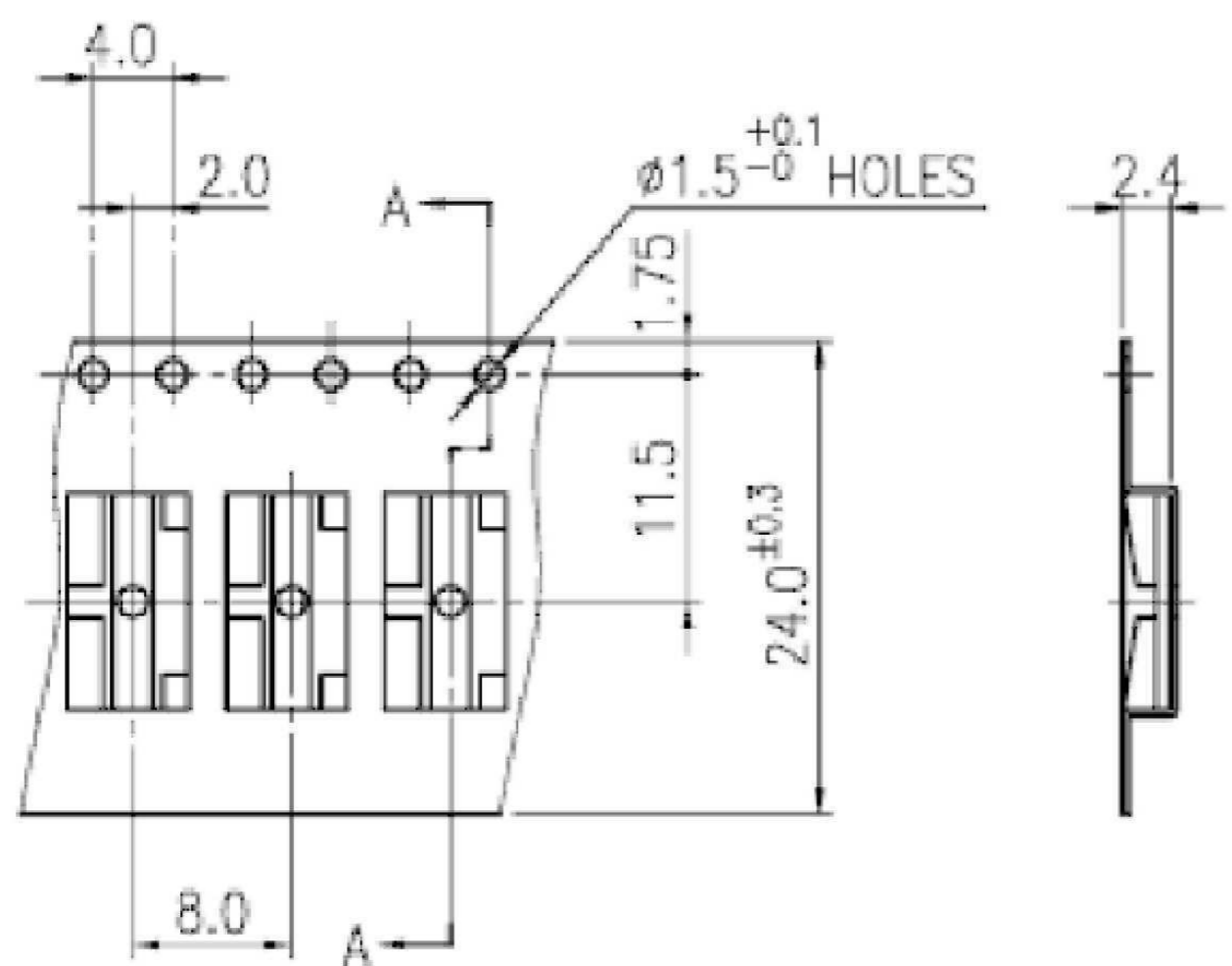
THIS DRAWING IS UNPUBLISHED. RELEASED FOR PUBLICATION
 © COPYRIGHT - By - ALL RIGHTS RESERVED.

LOC		DIST		REVISIONS			
P	LTR	DESCRIPTION	DATE	DWN	APVD		
AD	00						
SEE SHEET 1							

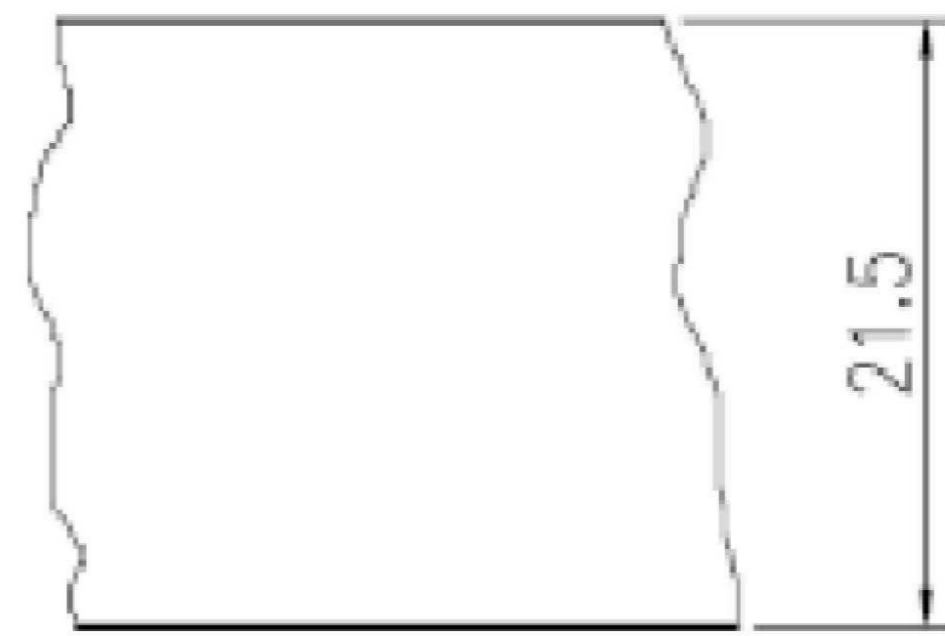
REEL



CARRIER TAPE



COVER TAPE



MLL1300STR	5-1437575-2
MLL1300S	1437575-3
ALCO P/N	PART NO.

THIS DRAWING IS A CONTROLLED DOCUMENT.		DWN	S.KIRCORIAN	31JAN96	TE TE Connectivity	
DIMENSIONS: INCHES		CHK	-	-		
TOLERANCES UNLESS OTHERWISE SPECIFIED:		APVD	MLL	02JAN96	NAME	
0 PLC ± -		PRODUCT SPEC	SLIDE SWITCH SP3T			
1 PLC ± -		APPLICATION SPEC	R/A LOW PROFILE SMT			
2 PLC ± -		WEIGHT	-	SIZE	CAGE CODE	DRAWING NO
3 PLC ± .005[0.13]		REVISIONS	A2	00779	C=1437575-3	RESTRICTED TO
4 PLC ± -		CUSTOMER DRAWING	SCALE 10:1		SHEET 2 of 2	REV A2
ANGLES ± 1°						
FINISH						
MATERIAL SEE SPECIFICATIONS						

X-ON Electronics

Largest Supplier of Electrical and Electronic Components

Click to view similar products for [Slide Switches](#) category:

Click to view products by [TE Connectivity](#) manufacturer:

Other Similar products are found below :

[6-1437581-1](#) [M43R](#) [MHSS1104A](#) [MMD](#) [GH36W010001](#) [GH49S010001](#) [1437576-8](#) [EPS1PC1](#) [1825074-1](#) [1825160-3](#) [1825167-2](#)
[25139NLDB](#) [25449NAH](#) [L101011ML04B](#) [SLB1240R45](#) [SLSA12004](#) [1825078-1](#) [1825080-4](#) [1825081-1](#) [1825269-1](#) [1825270-2](#)
[STS141RA04](#) [T2215BEN506](#) [GF-124-0204](#) [GH46P000001](#) [GH46W000001](#) [GH49P010001](#) [25339NA](#) [25436NLDH](#) [CST91246FK](#)
[TG36P000000](#) [TG36P000050](#) [47227LFE](#) [49331L](#) [MHSS1105A](#) [50208L](#) [L202091MS02Q](#) [4-1437581-7](#) [X2225CR-437W](#) [48BFSP3M2QT](#)
[49329L](#) [1101M1S3ZB8E2](#) [1-1437581-1](#) [EG1218REDACTUATOR](#) [TG39W000000](#) [1825075-1](#) [TG36WS80065](#) [T105S1CWZBE](#)
[SLB1280R5](#) [25136NLDB](#)