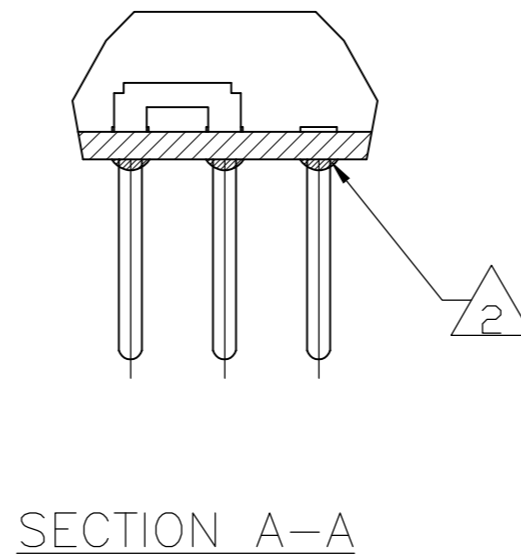
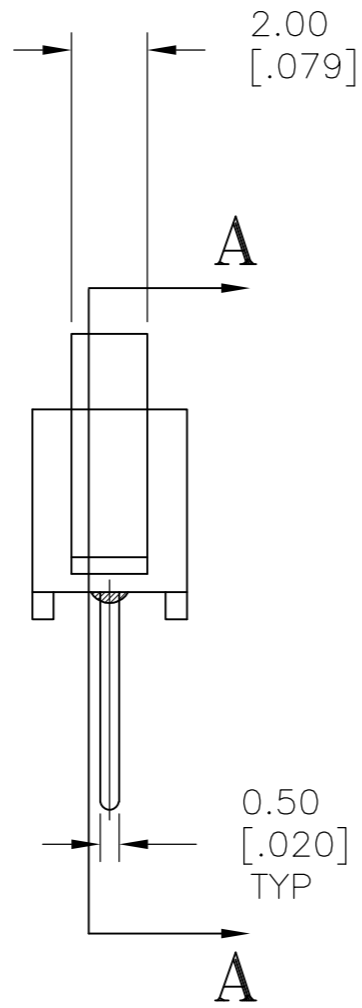
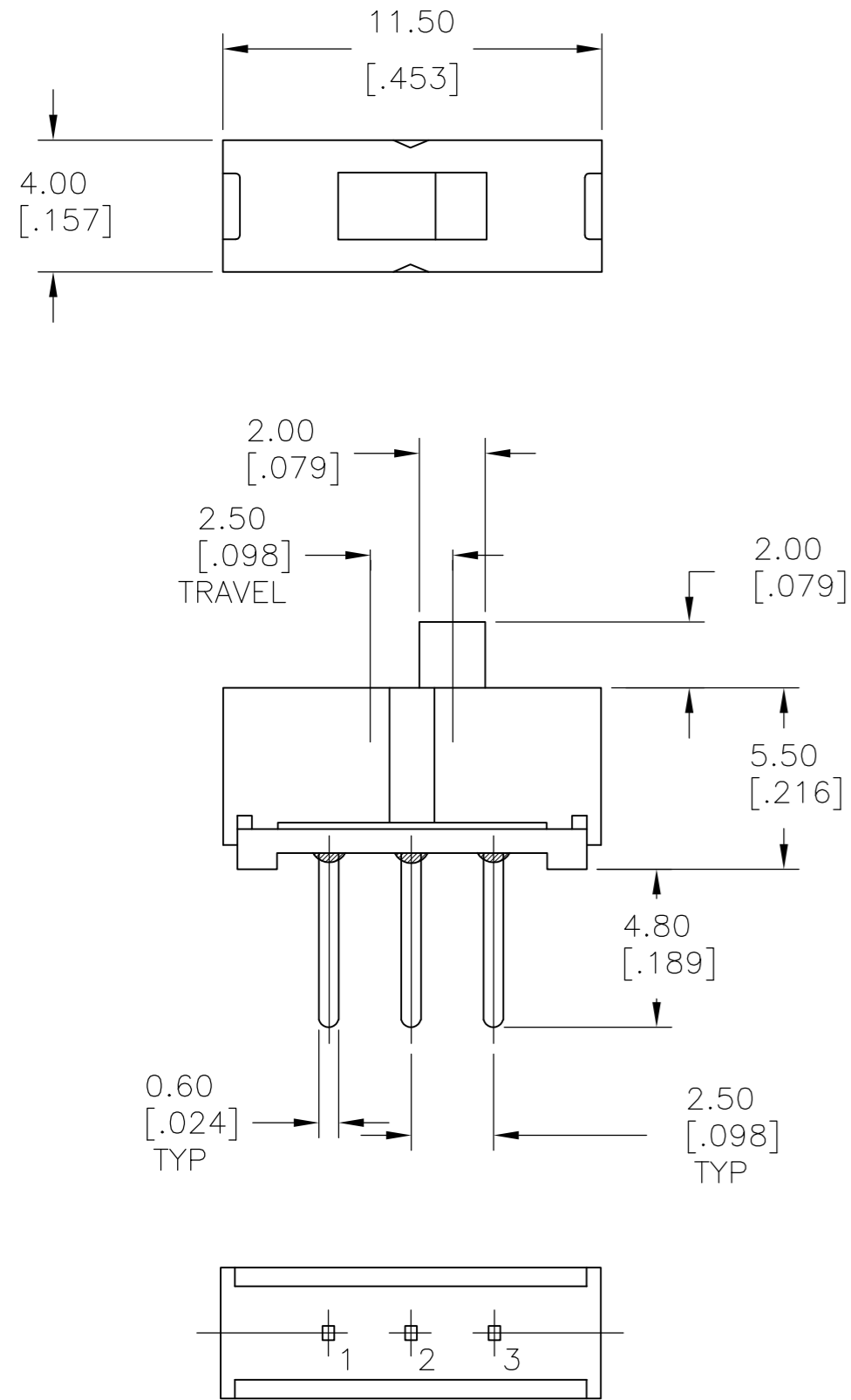


THIS DRAWING IS UNPUBLISHED. RELEASED FOR PUBLICATION
 © COPYRIGHT - By - ALL RIGHTS RESERVED.

LOC		DIST		REVISIONS			
P	LTR	DESCRIPTION		DATE	DWN	APVD	
AD	00	A1	REVISED PER ECO-11-005027		14MAR11	RK	HMR



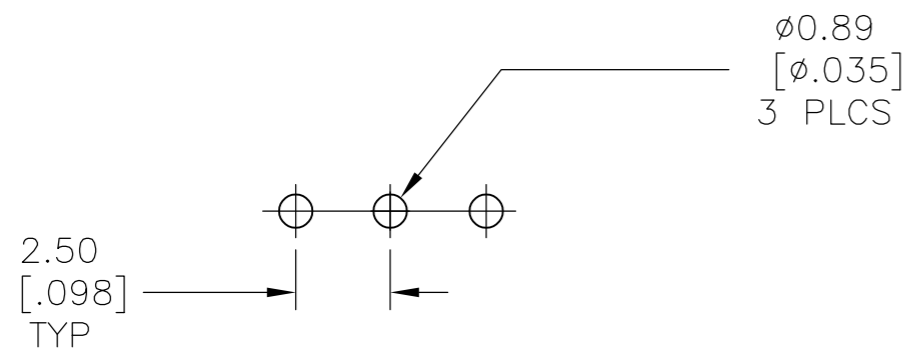
MAKE-BEFORE-BREAK
 SPDT
 SPECIFICATIONS:
 MATERIALS:
 BASE, NYLON 66 UL94V-0, 25% GF-BLACK
 COVER, POLYACETAL UL94-HB, 25% GF-BLACK
 ACTUATOR, POLYACETAL, UL94-HB, BLACK
 MOVING CONTACT, COPPER ALLOY-SILVER FINISH
 FIXED CONTACT/TERMINAL, COPPER ALLOY-SILVER FINISH

ELECTRICAL:
 CONTACT RATING, 100MA@30VDC
 INITIAL CONTACT RESISTANCE, 30 MILLIOHMS MAX
 INSULATION RESISTANCE, 100 MEGOHM MIN.
 DIELECTRIC STRENGTH, 500 V AC FOR 1 MINUTE

MECHANICAL:
 ACTUATION FORCE, 200 +/-150 GRAMS
 ACTUATION TRAVEL, 2.50 [.098]
 LIFE EXPECTANCY, 10,000 CYCLES

ENVIRONMENTAL:
 OPERATING TEMPERATURE, -20 TO +60 DEGREES C
 STORAGE TEMPERATURE, -20 TO +60 DEGREES
 SOLDERABILITY, PER EIA-364-52, CLASS 2, CATEGORY 1, 95% MINIMUM COVERAGE
 RESISTANCE TO SOLDER HEAT PER 109-202, CONDITION B

- ALL MATERIALS AND FINISHES SHALL COMPLY WITH EU DIRECTIVE 2002/95/EC OF 27JAN2003 (ROHS)
- ANTI SOLDER WICK SEAL AT TERMINAL TO BASE INTERFACE



PC HOLE LAYOUT

1-2	NONE	2-3	MMS12	1437575-4
			ALCO P/N	PART NO.
TERMINALS CONNECTED WHEN SLIDE IS IN POSITION SHOWN				

THIS DRAWING IS A CONTROLLED DOCUMENT.		DWN BSV	05OCT04		
DIMENSIONS: mm [INCHES]		CHK -	APVD M.S.SARVER		
TOLERANCES UNLESS OTHERWISE SPECIFIED:		PRODUCT SPEC		APPLICATION SPEC	
0 PLC ± -		APPLY SPEC		SIZE	
1 PLC ± -		WEIGHT -		CAGE CODE	
2 PLC ± 0.30 [.012]		SCALE 5:1		DRAWING NO	
3 PLC ± -		SHEET 1 OF 1		REV A1	
4 PLC ± -		CUSTOMER DRAWING		RESTRICTED TO	
ANGLES ± 1°		SCALE 5:1		SHEET 1 OF 1	
FINISH		SCALE 5:1		SHEET 1 OF 1	
SEE SPECIFICATION		SCALE 5:1		SHEET 1 OF 1	
SEE SPECIFICATION		SCALE 5:1		SHEET 1 OF 1	

X-ON Electronics

Largest Supplier of Electrical and Electronic Components

Click to view similar products for [Slide Switches](#) category:

Click to view products by [TE Connectivity](#) manufacturer:

Other Similar products are found below :

[6-1437581-1](#) [M43R](#) [MHS123K15D](#) [MHS133K](#) [MHSS1104A](#) [MMD](#) [GH49S010001](#) [MSS12A](#) [EPS1PC1](#) [1825074-1](#) [1825160-3](#) [1825167-2](#)
[1825289-7](#) [K232CB](#) [25139NLDB](#) [25449NAH](#) [SLB1240R45](#) [1825078-1](#) [1825080-4](#) [1825269-1](#) [1825270-2](#) [STS141RA04](#) [T2215BEN506](#)
[GH46P000001](#) [GH46W000001](#) [GH49P010001](#) [25339NA](#) [M42A](#) [TG36P000000](#) [TG36P000050](#) [AYZ0202AG](#) [47227LFE](#) [49331L](#) [50208L](#)
[L203091MS02Q](#) [4-1437581-7](#) [X2225CR-437W](#) [49329L](#) [1101M1S3ZB8E2](#) [1-1437581-1](#) [MSS2225G04](#) [TG39W000000](#) [1825075-1](#)
[MSS42G](#) [TG36WS80065](#) [T105S1CWZBE](#) [SLB124145](#) [SLB1280R5](#) [SLB1340R45](#) [25136NLDB](#)