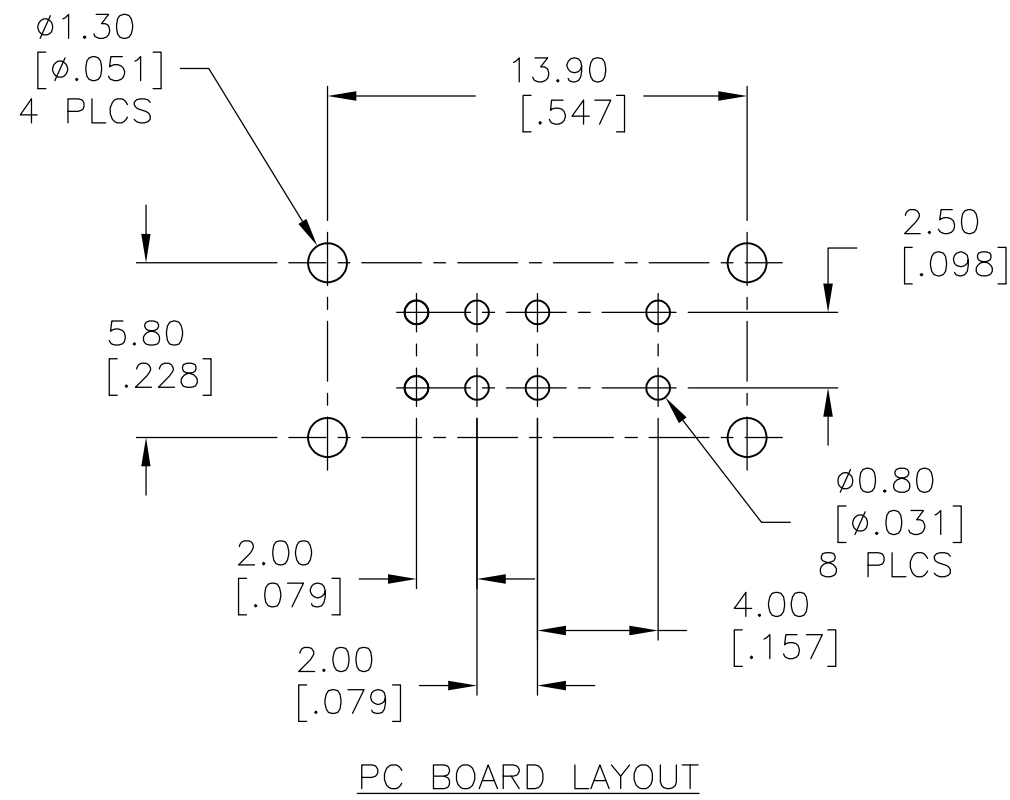
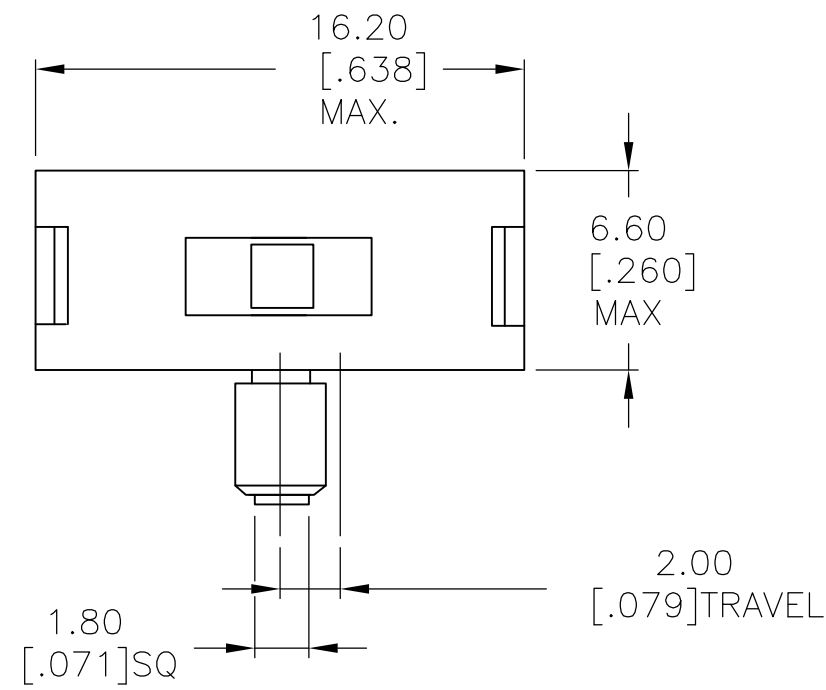


THIS DRAWING IS UNPUBLISHED. RELEASED FOR PUBLICATION  
 © COPYRIGHT BY TYCO ELECTRONICS CORPORATION. ALL INTERNATIONAL RIGHTS RESERVED.

LOC		DIST		REVISIONS			
P	LTR	DESCRIPTION	DATE	DWN	APVD		
A		REV PER EC 0G3C-0657-03	17AUG06	MB	MS		



SPECIFICATIONS:

MATERIALS:

BASE, NYLON 66 UL94V-0, 25% GF-BLACK  
 COVER, POLYACETAL UL94-HB, 25% GF-BLACK  
 ACTUATOR, POLYACETAL, UL94-HB, BLACK  
 MOVING CONTACT, COPPER ALLOY-PLATE SILVER OVER NICKEL  
 FIXED CONTACT/TERMINAL, COPPER ALLOY-PLATE SILVER OVER NICKEL

ELECTRICAL:

CONTACT RATING, 100MA@30VDC  
 INITIAL CONTACT RESISTANCE, 30 MILLIOHMS MAX  
 INSULATION RESISTANCE, 100 MEGOHM MIN.  
 DIELECTRIC STRENGTH, 500 V AC FOR 1 MINUTE

MECHANICAL:

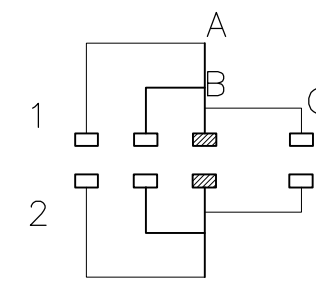
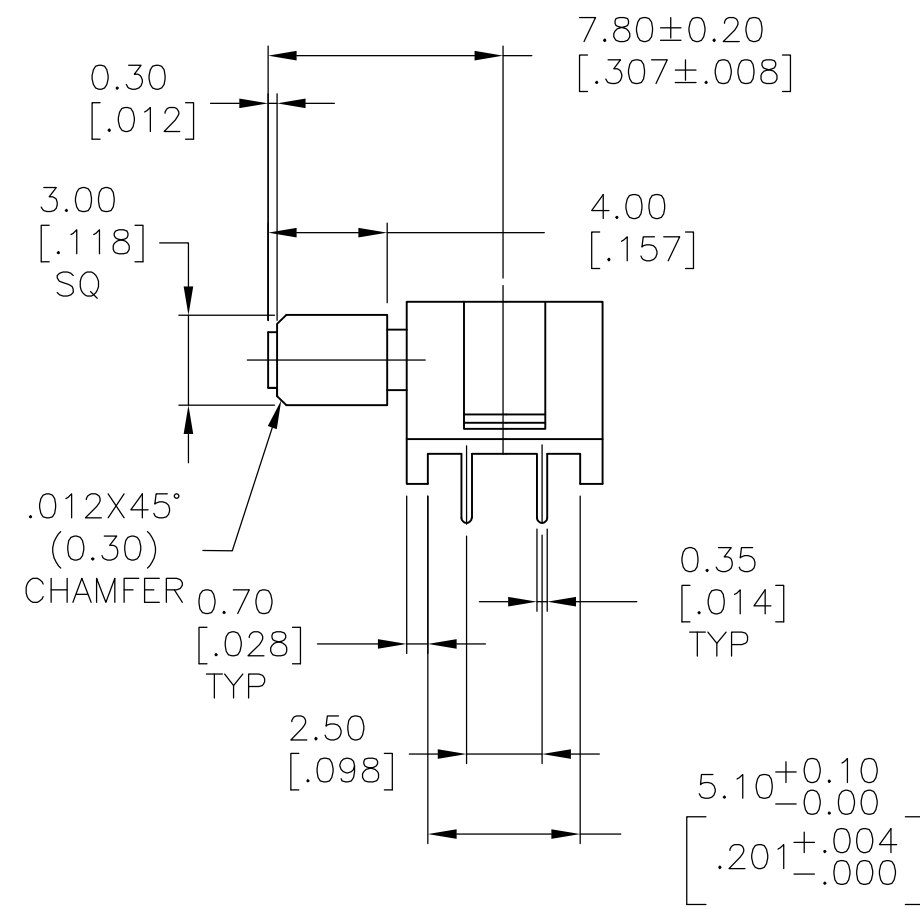
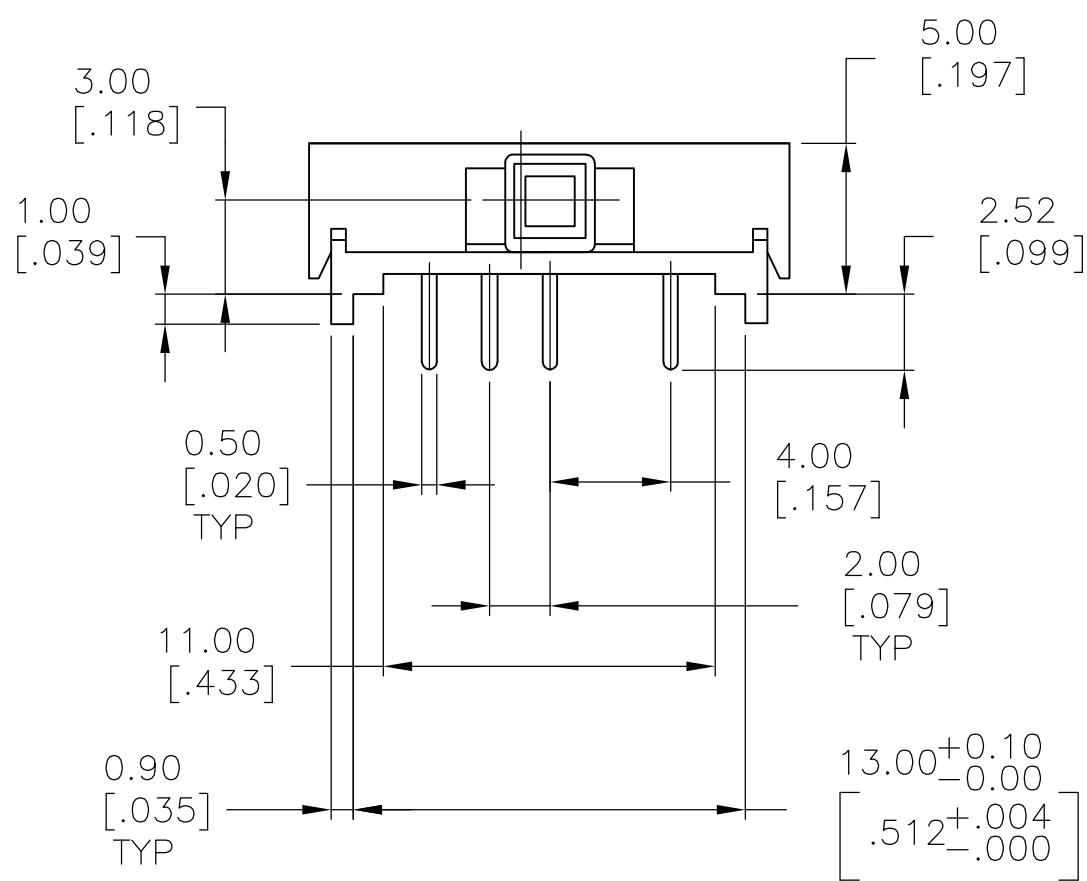
ACTUATION FORCE, 200 +/-150 GRAMS  
 ACTUATION TRAVEL, .079  
 LIFE EXPECTANCY, 10,000 CYCLES

ENVIRONMENTAL:

OPERATING TEMPERATURE, -20 TO +60 DEGREES C  
 STORAGE TEMPERATURE, -10 TO +60 DEGREES  
 SOLDERABILITY, PER EIA-364-52, CLASS 2, CATEGORY 1,  
 95% MINIMUM COVERAGE  
 RESISTANCE TO SOLDER HEAT, 250 DEGREES C FOR 5 SECONDS

NOTES:

- ALL MATERIALS AND FINISHES SHALL COMPLY WITH EU DIRECTIVE 2002/95/EC OF 27JAN2003 (ROHS)
- ANTI SOLDER WICK SEAL AT TERMINAL TO BASE INTERFACE



CIRCUIT DIAGRAM

MMS-23R	1437575-9
ALCO PT NO	PART NUMBER

THIS DRAWING IS A CONTROLLED DOCUMENT.		DWN M. BINNER	23OCT08	Tyco Electronics Corporation Harrisburg, PA 17105-3608	
DIMENSIONS: mm		CHK -	APVD -	NAME	
TOLERANCES UNLESS OTHERWISE SPECIFIED:		PRODUCT SPEC -	APPLICATION SPEC -	SLIDE SWITCH MMS-23R	
0 PLC ± -				SIZE A2	CAGE CODE 00779
1 PLC ± -				DRAWING NO C=1437575-9	RESTRICTED TO -
2 PLC ± -				SCALE 4:1	SHEET 1 of 1
3 PLC ± 0.30 ±(.012)				REV A	
4 PLC ± -					
ANGLES ± 3'					
FINISH -					
MATERIAL SEE SPECIFICATIONS		WEIGHT -		CUSTOMER DRAWING	

## X-ON Electronics

Largest Supplier of Electrical and Electronic Components

*Click to view similar products for [Slide Switches](#) category:*

*Click to view products by [TE Connectivity](#) manufacturer:*

Other Similar products are found below :

[6-1437581-1](#) [M43R](#) [MHS123K15D](#) [MHS133K](#) [MHSS1104A](#) [MMD](#) [GH49S010001](#) [MSS12A](#) [EPS1PC1](#) [1825074-1](#) [1825160-3](#) [1825167-2](#)  
[1825289-7](#) [K232CB](#) [25139NLDB](#) [25449NAH](#) [SLB1240R45](#) [1825078-1](#) [1825080-4](#) [1825269-1](#) [1825270-2](#) [STS141RA04](#) [T2215BEN506](#)  
[GH46P000001](#) [GH46W000001](#) [GH49P010001](#) [25339NA](#) [M42A](#) [TG36P000000](#) [TG36P000050](#) [AYZ0202AG](#) [47227LFE](#) [49331L](#) [50208L](#)  
[L203091MS02Q](#) [4-1437581-7](#) [X2225CR-437W](#) [49329L](#) [1101M1S3ZB8E2](#) [1-1437581-1](#) [MSS2225G04](#) [TG39W000000](#) [1825075-1](#)  
[MSS42G](#) [TG36WS80065](#) [T105S1CWZBE](#) [SLB124145](#) [SLB1280R5](#) [SLB1340R45](#) [25136NLDB](#)