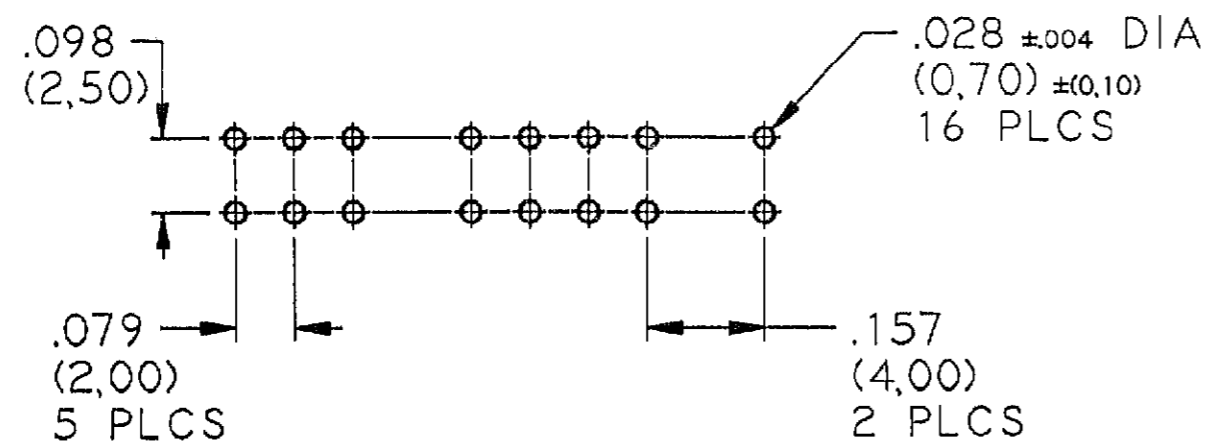
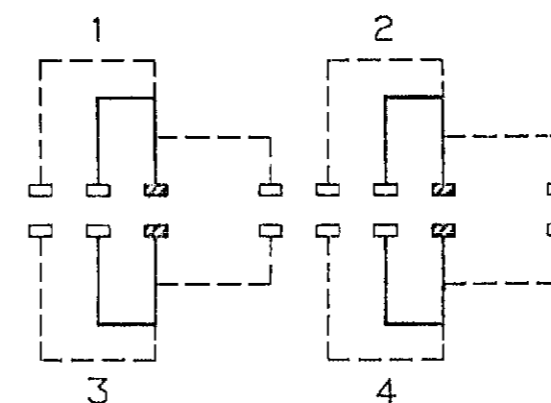
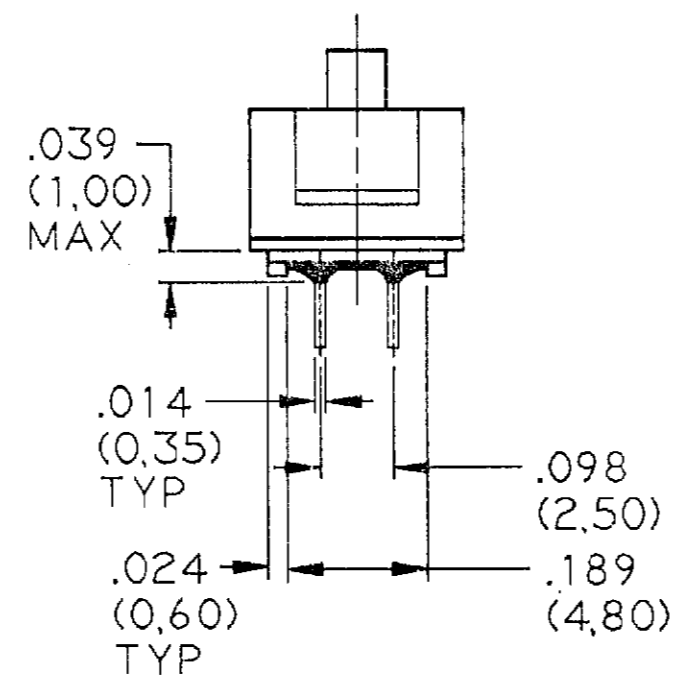
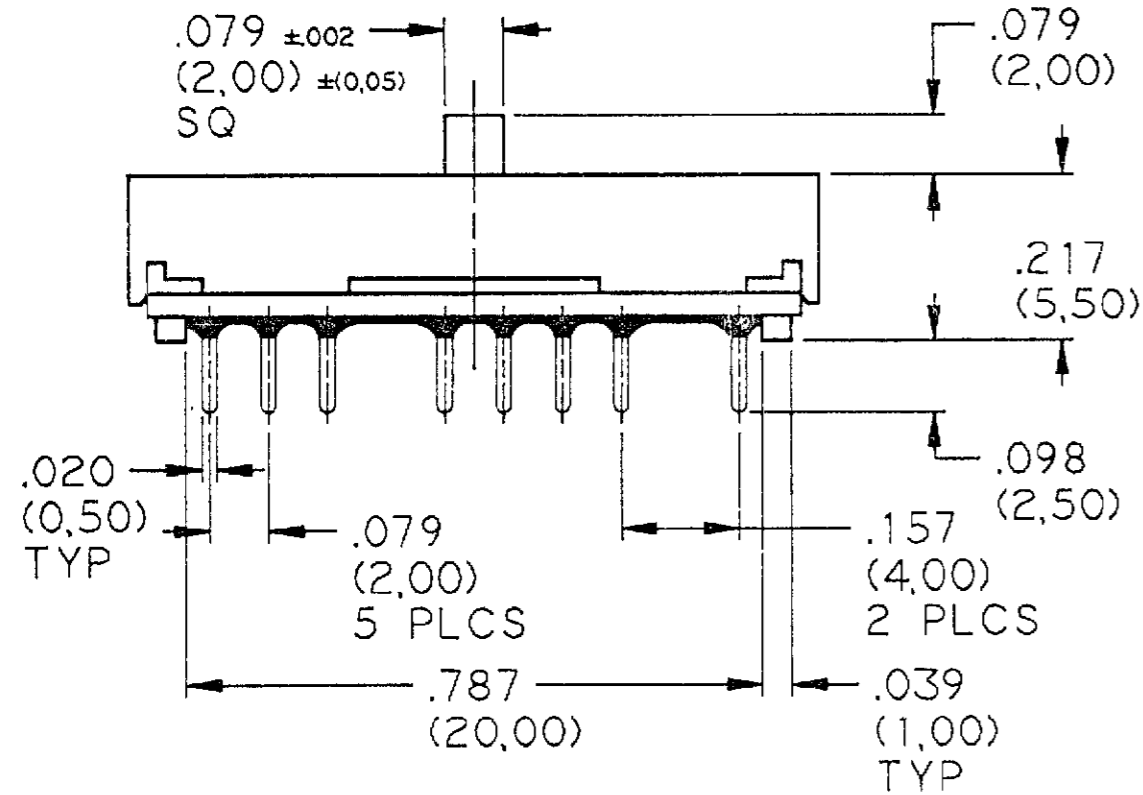
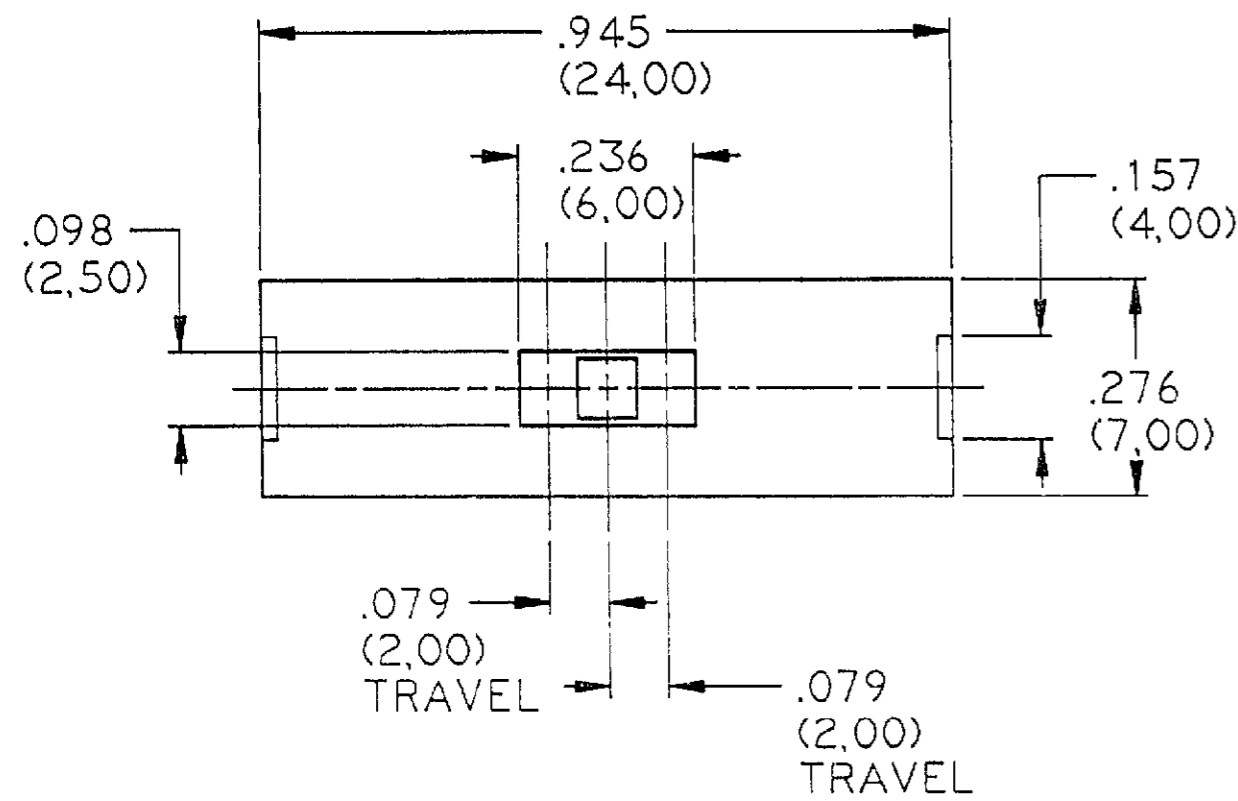


# SPECIFICATIONS:

CONTACT RATING: 100 MA AT 30 VDC.  
 GOLD: 0.4 VA MAX. AT 20 VDC OR PEAK AC.  
 INITIAL CONTACT RESISTANCE: 30 MILLIOHMS MAX.  
 INSULATION RESISTANCE: 100 MEGOHMS MINIMUM.  
 DIELECTRIC STRENGTH: 500 VOLTS RMS AT SEA LEVEL.  
 LIFE EXPECTANCY: 10,000 OPERATIONS.  
 CONTACTS: MOVING - PHOSPHOR BRONZE  
 FIXED - BRASS  
 CONTACTS AND TERMINALS: SILVER PLATE OR OPTIONAL GOLD PLATE OVER NICKEL.  
 TERMINAL SEAL: INCLUDED, NO EXTRA CHARGE.



PC HOLE LAYOUT

TOLERANCES UNLESS OTHERWISE NOTED. INCH (MM)  
 DECIMAL METRIC  
 .XX± METRIC ±(0,30)  
 .XXX± METRIC ±(0,30)  
 FRACTIONAL ANGULAR 33°  
 X/X°  
 THIRD ANGLE PROJECTION REFER TO ANSI Y14.5M-1982 FOR DWG. INTERPRETATION

DATE	DRAWING STATUS
9/26/88	PRELIMINARY
10/18/88	QUOTE
10/18/88	PROTOTYPE
	PRE-PRODUCTION
	RELEASE

DATA BASE: ESRD686  
 MATL.  
 SEE SPECIFICATIONS

ALCO CONFIDENTIAL  
 This document contains information which is the exclusive property of Alco Electronics Products Div. Distribution, reproduction, or use by others is not permitted without the express written consent of Alco Electronics Products Div.

REV.	ESRD686	DATE	CHK.	APP.
A	ESRD686	9/26/88	CVM	JB
	E.C.O.		CHK.	APP.
 Quality and Innovation 1551 Dogwood St. No. Andover Md. U.S.A. 21845 TEL. (417)686-4371 FAX (417)686-9545				
TITLE SLIDE SWITCH MMS-43				
SIZE	PROD. LINE	DWG. NO.	REV.	
C		80857	A	
SCALE 4/1	SHEET 1 OF 1	COMPUTER GENERATED DRAWING		

## X-ON Electronics

Largest Supplier of Electrical and Electronic Components

*Click to view similar products for [TE Connectivity](#) manufacturer:*

Other Similar products are found below :

[D38999/24FJ4AN](#) [570416-000](#) [CLTEQ-M81CE-SSRELAY-4-20V](#) [4-1195131-0](#) [650069-000](#) [SMD100-2](#) [358838-000](#) [CB-1022B-78](#)  
[RM707012](#) [RP410012](#) [MMS42](#) [1-640426-8](#) [2EDL4CM](#) [DTS20W19-11PD-3028-LC](#) [RM202615](#) [NC6-P104-06](#) [MSPS103B](#) [DTS26F21-41HE-LC](#) [DTS26F21-41AE](#) [DTS26F21-41PE-LC](#) [DTS26F21-11SE-3028-LC](#) [30DCB6](#) [1932144-1](#) [293545-4](#) [LVR125S](#) [MS27466T25F4PB](#)  
[CKB-38-78010](#) [TR04AI-TINELLOCKRING](#) [1206SFF150F/63-2](#) [D38999/20JB35HA](#) [TE1500A2R2J](#) [D38999/20WC8BB](#) [DTS24F19-11SC-3028-LC](#) [D38999/24WG11HA](#) [D38999/24WG11HN](#) [MS27467T21F11H](#) [DJT16E21-11HA](#) [MS27467T21F35J](#) [MS27467T21F11J](#)  
[MS27467T21F16H-LC](#) [MS27467T21F35H](#) [MS27467T21F41H-LC](#) [1206SFH150F/24-2](#) [RP330024](#) [DJT16E21-11PA-LC](#) [DJT16E21-11HA-LC](#) [DJT16E21-11AA](#) [MS27467T21B11JA](#) [DJT16E21-11JA](#) [MS27467T21B11JA-LC](#)