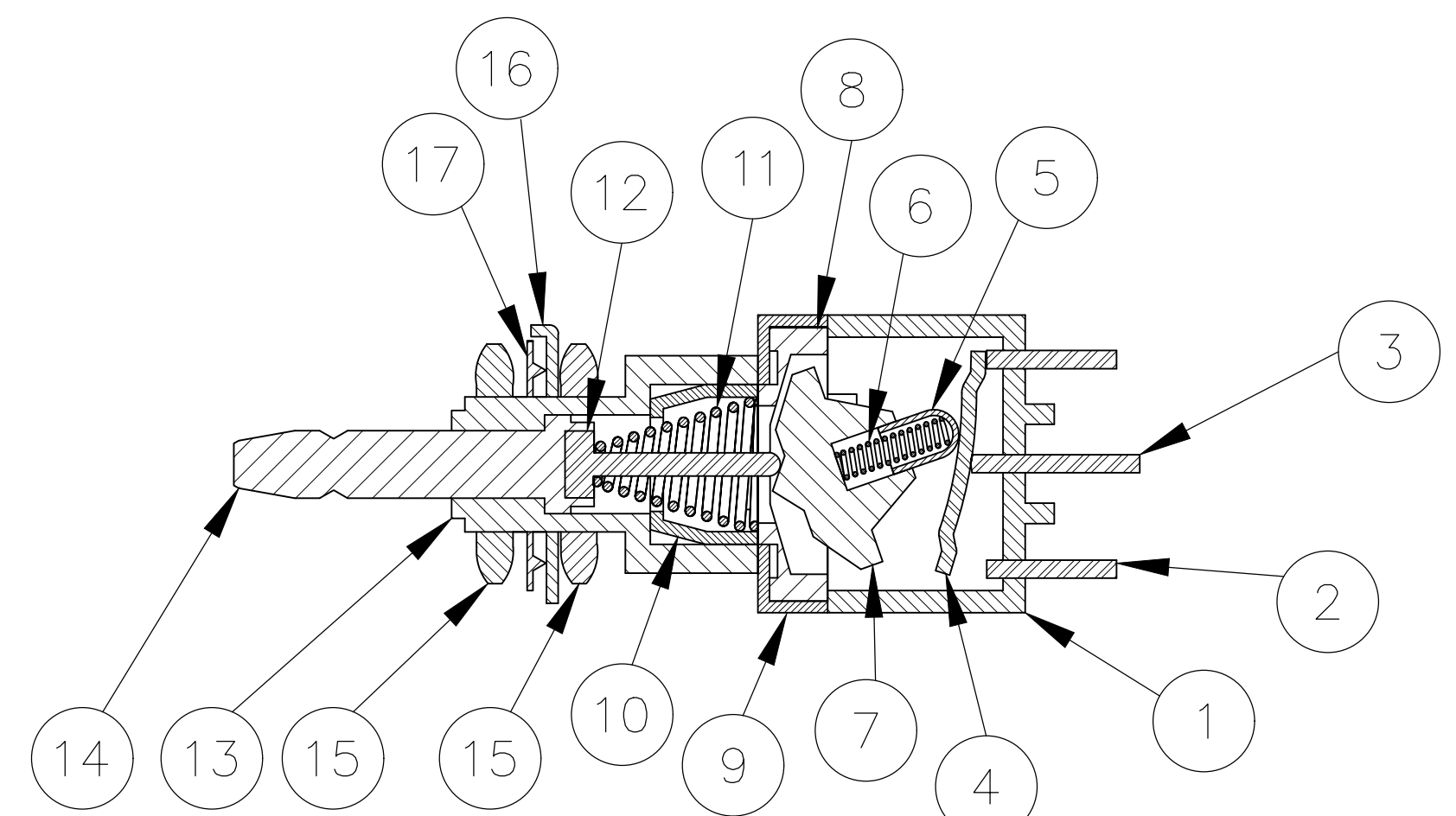


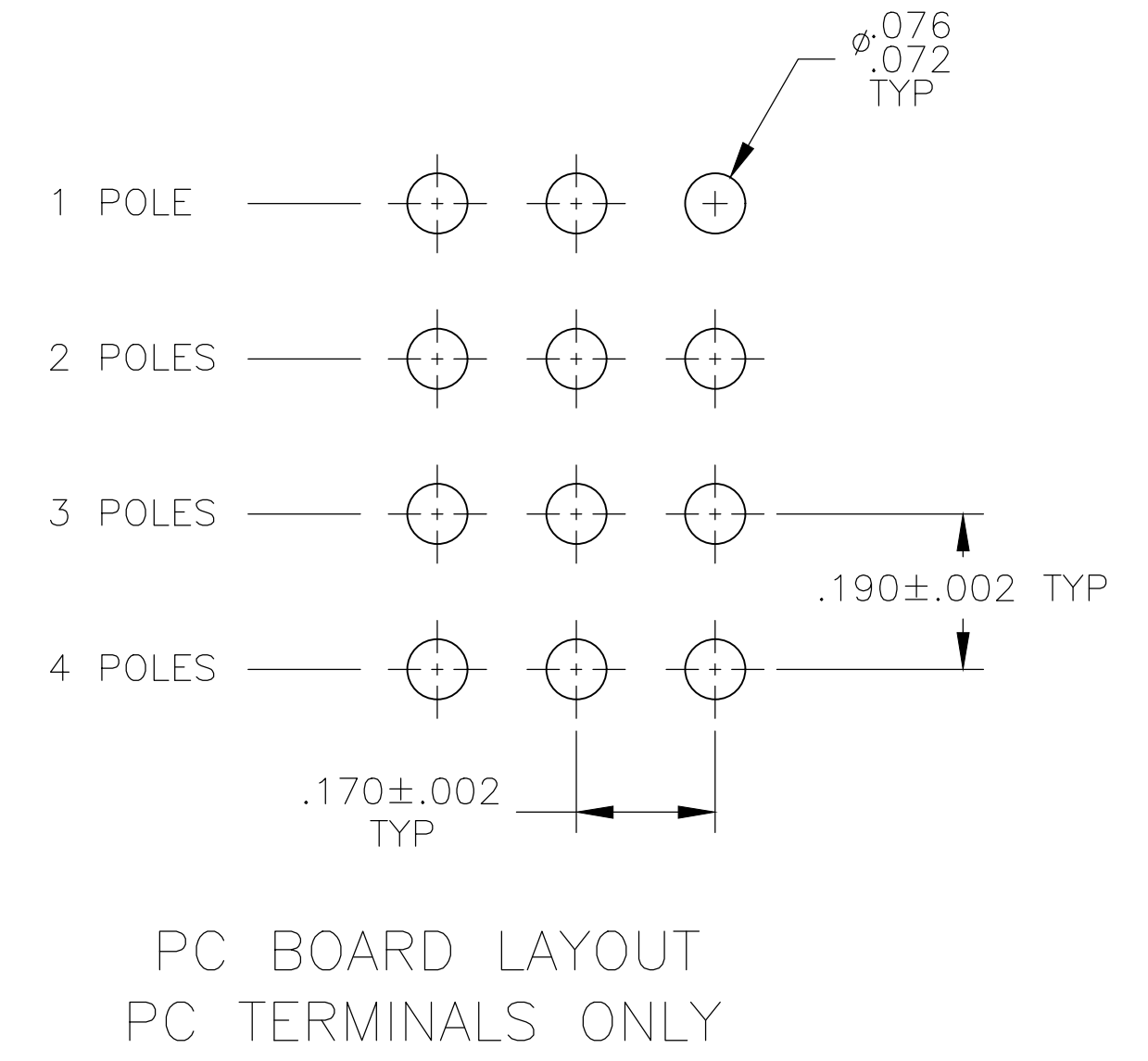
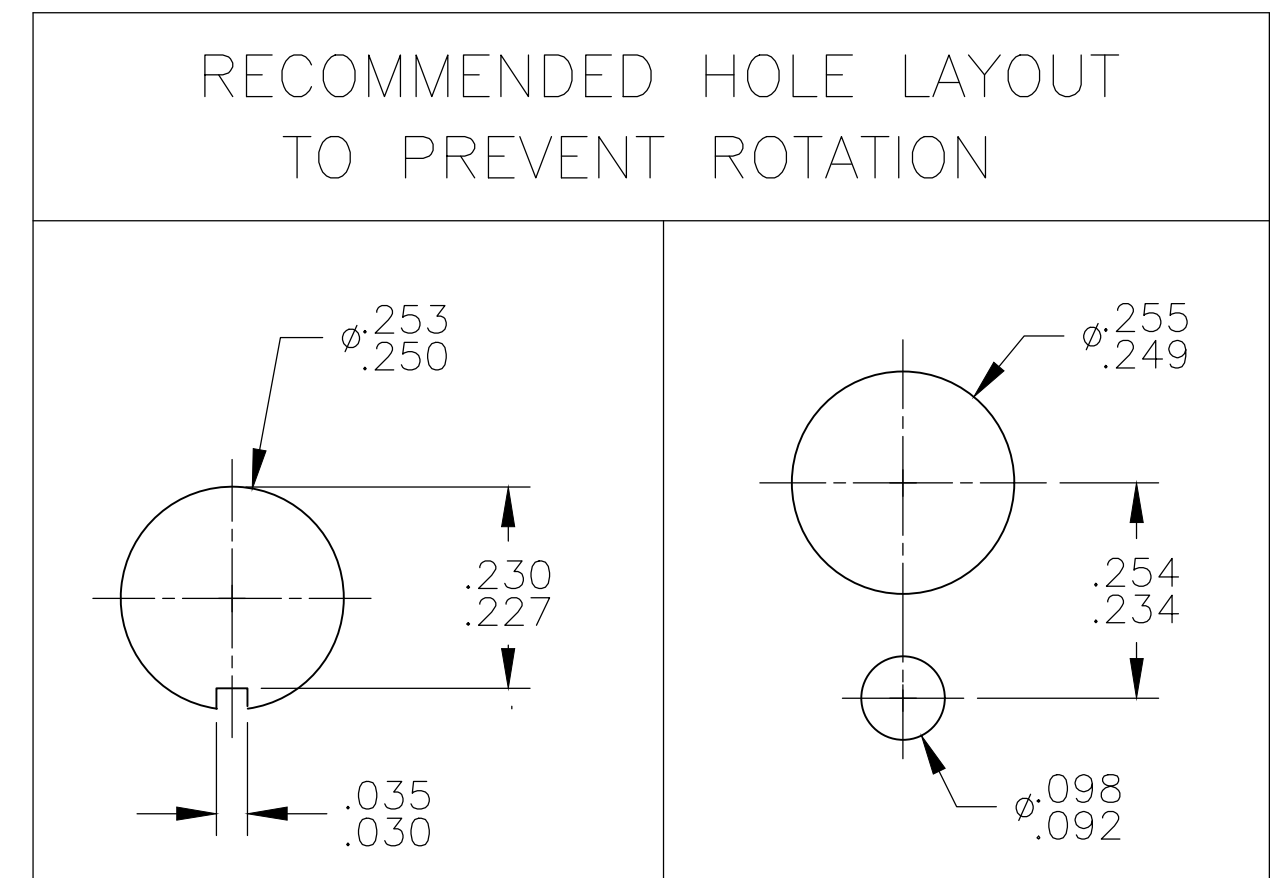
| REVISIONS | | | | |
|-----------|---------------|-------------|-----------|--------|
| P | LTR | DESCRIPTION | DATE | APPV |
| A5 | ECR-18-009229 | | 25SEP2018 | DHC PO |

| Materials | | | |
|-----------|---------------------------|--------------------------|------------|
| No | Component name | Base material | Plating |
| 1 | Housing | Diallyl phthalate resin | |
| 2 | End terminal | silver clad copper alloy | gold flash |
| 3 | Center terminal | copper alloy | gold flash |
| 4 | Rocker contact | silver clad copper alloy | gold flash |
| 5 | Actuator tip | Phenol resin, UL94 HB | |
| 6 | Actuator spring | music wire | |
| 7 | Actuator | Phenol resin, UL94 HB | |
| 8 | Actuator guide | polyamid resin | |
| 9 | Frame | cold rolled steel | zinc |
| 10 | Retainer | brass | none |
| 11 | Plunger spring | music wire | |
| 12 | Plunger pin | brass | |
| 13 | Bushing | zinc | nickel |
| 14 | Plunger | brass | nickel |
| 15 | Mounting nuts (2) | brass | nickel |
| 16 | Locating ring | cold rolled steel | nickel |
| 17 | Internal tooth lockwasher | steel | nickel |



NOT TO SCALE

| Specifications-see note 3 | | | |
|------------------------------------|--------------------------------|--------------------------|------------------|
| Current rating UL & CSA | 6A @ 125 VAC (resistive) | | |
| | 3A @ 250 VAC (resistive) | | |
| | 4A @ 28 VDC (resistive) | | |
| Initial contact resistance | 10 milliohms max @ 2-4 VDC, 1A | | |
| Insulation resistance | 1,000 megohms min. | | |
| Dielectric strength | 1,500 VAC | | |
| Travel | .140 | | |
| Actuation force | .4 to 2 kgf | | |
| Operating temperature | -20C to +85C | | |
| Storage temperature | -40C to +85C | | |
| Contact timing | break before make | | |
| Terminal seal | over molded | | |
| Durability | Parameter | Push on/ Push off | Momentary |
| | 250 VAC (3A resistive) | 50,000 | 50,000 |
| | 125 VAC (6A resistive) | 50,000 | 50,000 |
| | 28 VDC (4A resistive) | 50,000 | 50,000 |



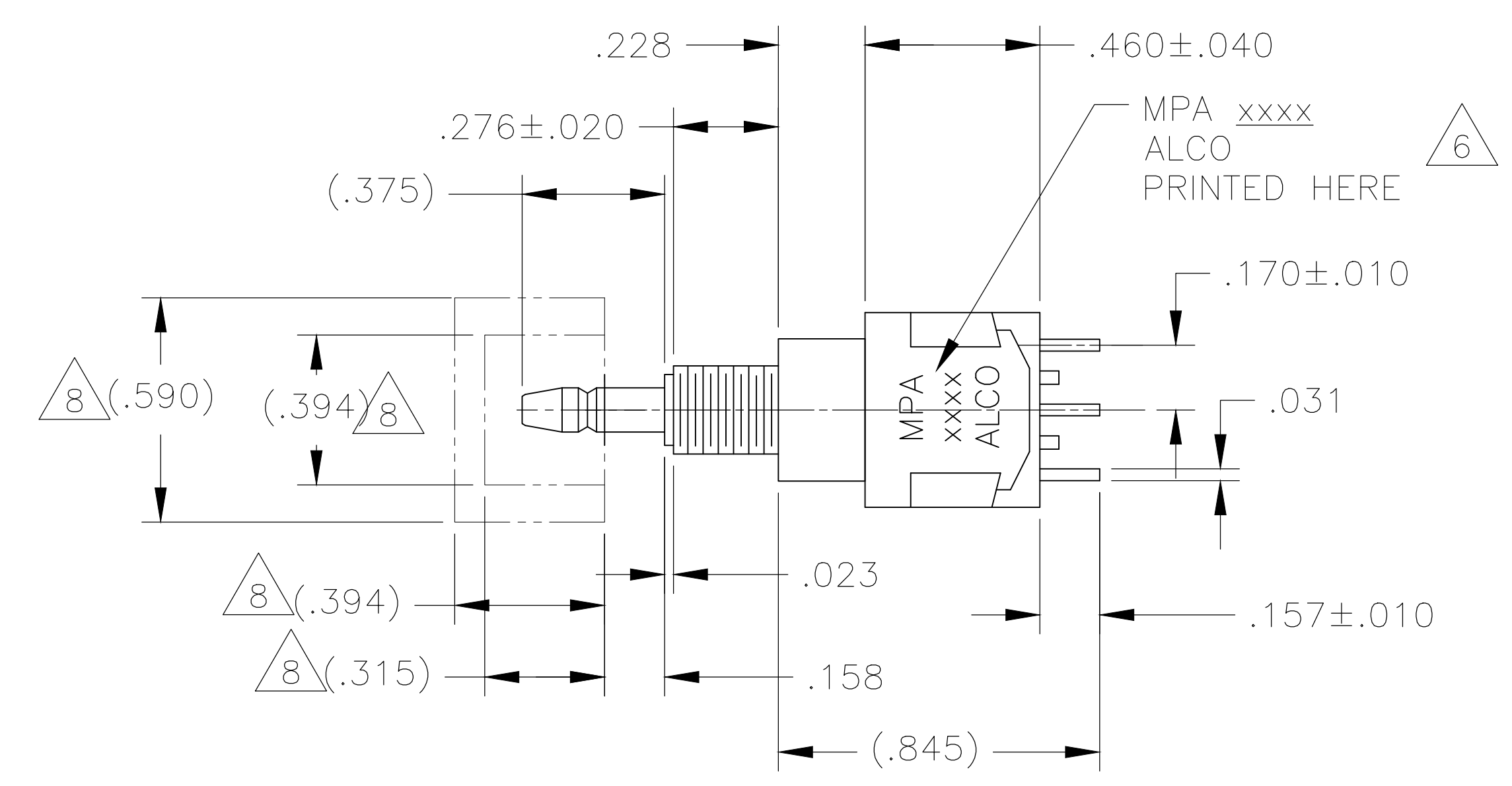
| PART NUMBER | Alco P/N | Mark Switch | Poles | Throws | Terminal | Function | | Connected Terminals | |
|-------------|-----------|-------------|-------|--------|----------|----------|-----|----------------------|----------------------|
| | | | | | | ON | MOM | ON | MOM |
| 3-1437567-8 | MPA406R | MPA 406R | 4 | 2 | Wire lug | ON | MOM | 2-1, 5-4, 8-7, 11-10 | 2-3, 5-6, 8-9, 11-12 |
| 3-1437567-7 | MPA406N | MPA 406N | 4 | 2 | Wire lug | ON | ON | 2-1, 5-4, 8-7, 11-10 | 2-3, 5-6, 8-9, 11-12 |
| 3-1437567-6 | MPA306F | MPA 306F | 3 | 2 | Wire lug | ON | MOM | 2-1, 5-4, 8-7 | 2-3, 5-6, 8-9 |
| 3-1437567-5 | MPA306D | MPA 306D | 3 | 2 | Wire lug | ON | ON | 2-1, 5-4, 8-7 | 2-3, 5-6, 8-9 |
| 3-1437567-4 | MPA206RPC | MPA 206RPC | 2 | 2 | PC | ON | MOM | 2-1, 5-4 | 2-3, 5-6 |
| 3-1437567-3 | MPA206R | MPA 206R | 2 | 2 | Wire lug | ON | MOM | 2-1, 5-4 | 2-3, 5-6 |
| 3-1437567-2 | MPA206NPC | MPA 206NPC | 2 | 2 | PC | ON | ON | 2-1, 5-4 | 2-3, 5-6 |
| 3-1437567-1 | MPA206N | MPA 206N | 2 | 2 | Wire lug | ON | ON | 2-1, 5-4 | 2-3, 5-6 |
| 3-1437567-0 | MPA106FPC | MPA 106FPC | 1 | 2 | PC | ON | MOM | 2-1 | 2-3 |
| 2-1437567-9 | MPA106F | MPA 106F | 1 | 2 | Wire lug | ON | MOM | 2-1 | 2-3 |
| 2-1437567-8 | MPA106D | MPA 106D | 1 | 2 | Wire lug | ON | ON | 2-1 | 2-3 |

- NOTES:
- TERMINAL NUMBERS ARE FOR REFERENCE ONLY AND DO NOT APPEAR ON THE SWITCHES.
 - EACH SWITCH SUPPLIED WITH THE FOLLOWING MOUNTING HARDWARE:
 - (2) 1/4-40 UNS-2B HEX NUTS
 - (1) INTERNAL TOOTH LOCKWASHER
 - (1) LOCATING RING
 - WIRE LUG CONTACTS WILL ACCEPT 2 #20 AWG SOLID OR STRANDED WIRES.
 - MARK SWITCH
 - ALL MATERIALS AND FINISHES SHALL COMPLY WITH EU DIRECTIVE 2002/95/EC OF 27JAN2003 (ROHS).
 - SWITCH DOES NOT INCLUDE BUTTON CAP. DIMENSIONS SHOWN DESCRIBE ALCO SWITCH CAP C22* AND C23* FOUND ON DRAWINGS 1825068 & 1825069 AND SOLD SEPARATELY.
 - LASER MARKING USED FOR PARTS.
 - OBSOLETE

THIS DRAWING IS A CONTROLLED DOCUMENT. DIMENSIONS: INCHES. TOLERANCES UNLESS OTHERWISE SPECIFIED: 0. PLC ± .010, 1. PLC ± .010, 2. PLC ± .010, 3. PLC ± .010, 4. PLC ± .010, ANGLES ± .010. MATERIAL: -. FINISH: -. DIN: M. BINNER 02MAR09. CHK: M. ZITTO 15NOV04. NAME: M. ZITTO 15NOV04. PRODUCT SPEC: -. APPLICATION SPEC: -. SIZE: A1. CAGE CODE: 00779. DRAWING NO: 2-1437567-9. RESTRICTED TO: -. WEIGHT: -. CUSTOMER DRAWING: -. SCALE: 3:1. SHEET: 1 OF 3. REV: A5.

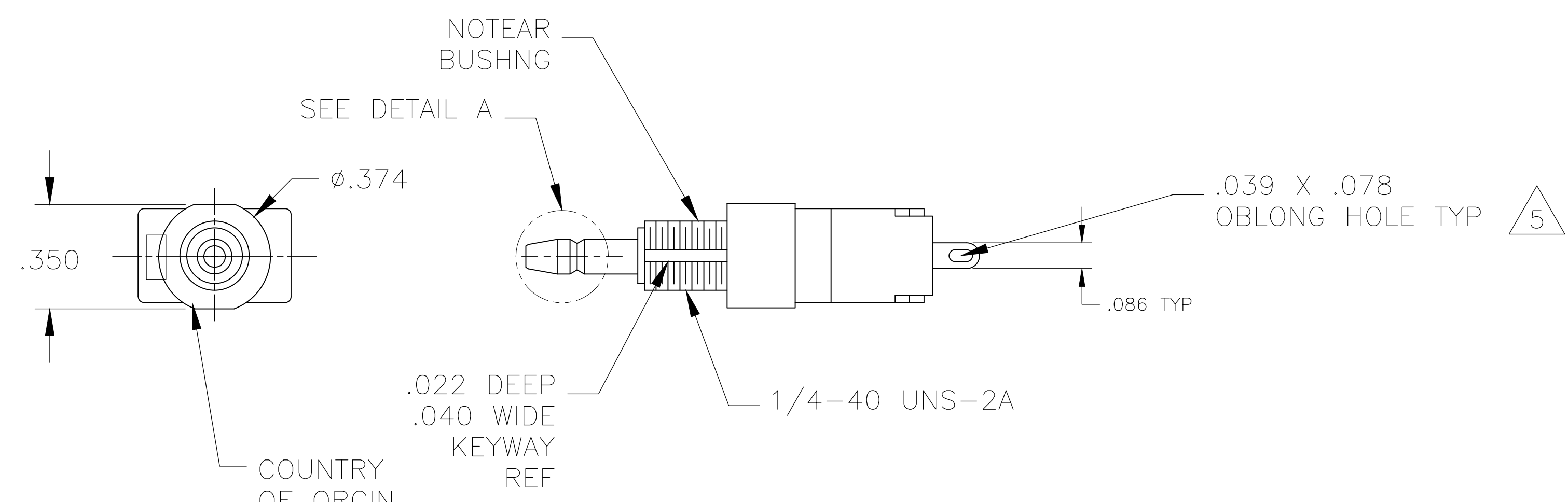
STE TE Connectivity Ltd.
ALCOSWITCH GREEN SERIES PUSHBUTTON SWITCH, MPA SERIES

| REVISIONS | | | | |
|-----------|------|-------------|----|-------|
| # | DATE | DESCRIPTION | BY | APP'D |
| - | - | SEE SHEET 1 | - | - |

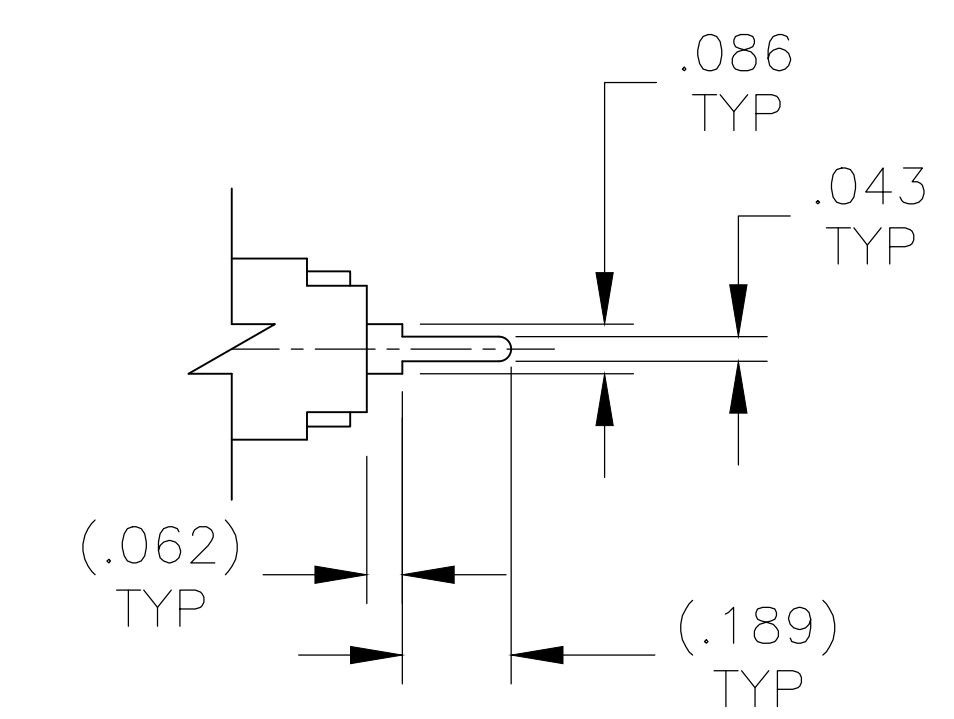


MPA-106

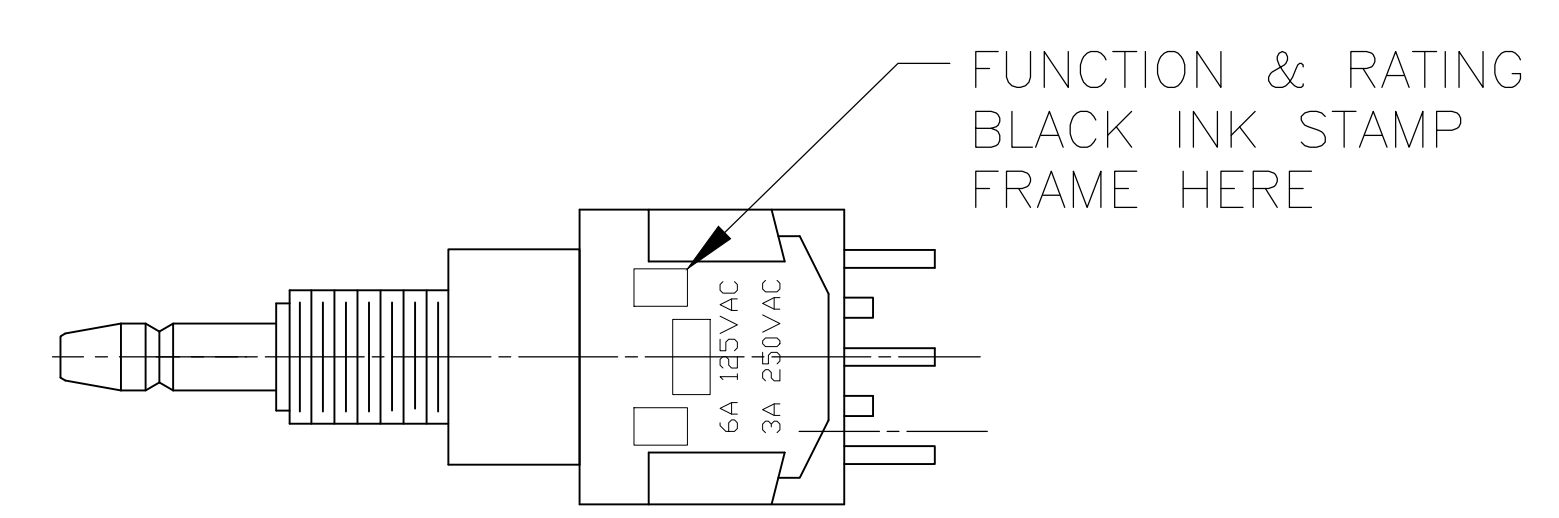
MPA-206



WIRE LUG TERMINAL

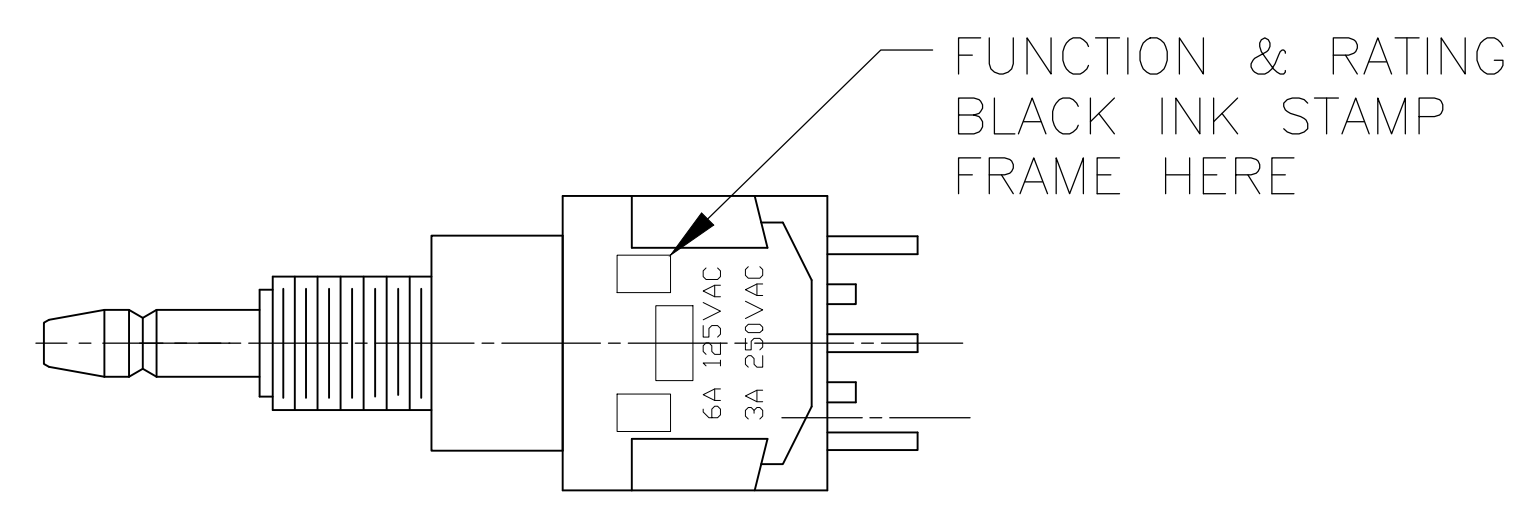
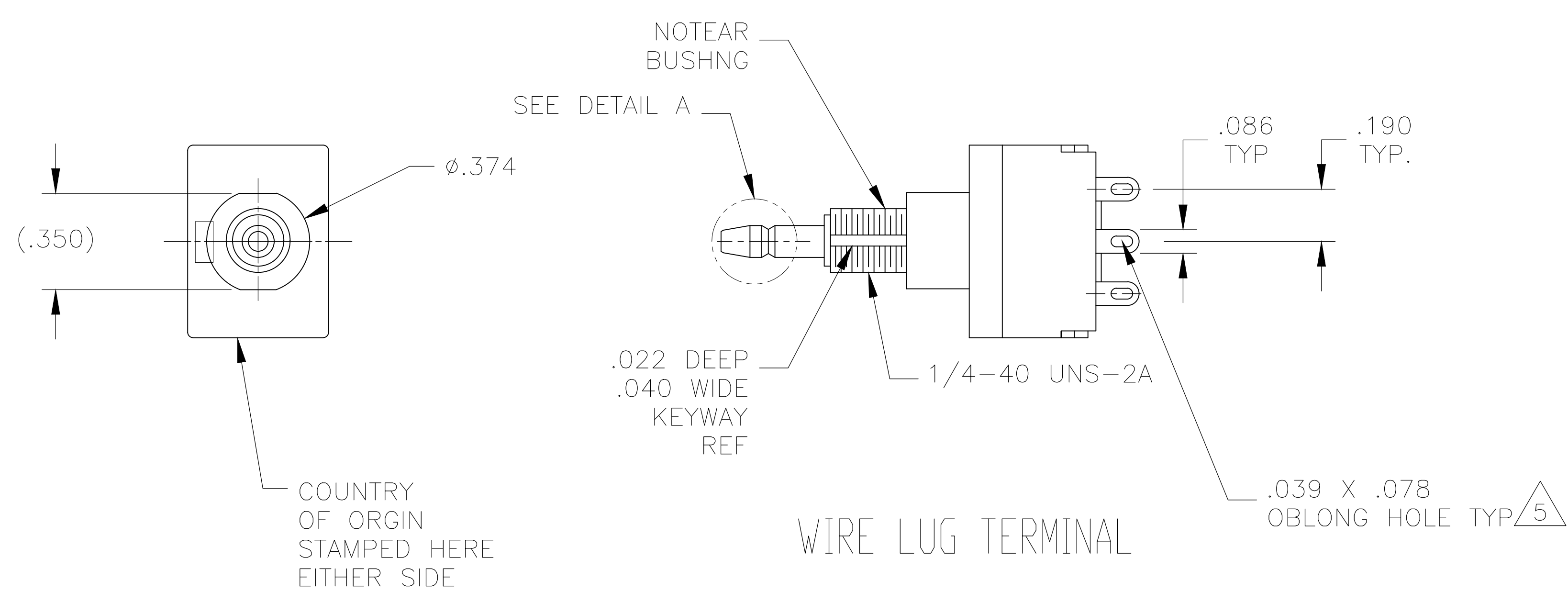
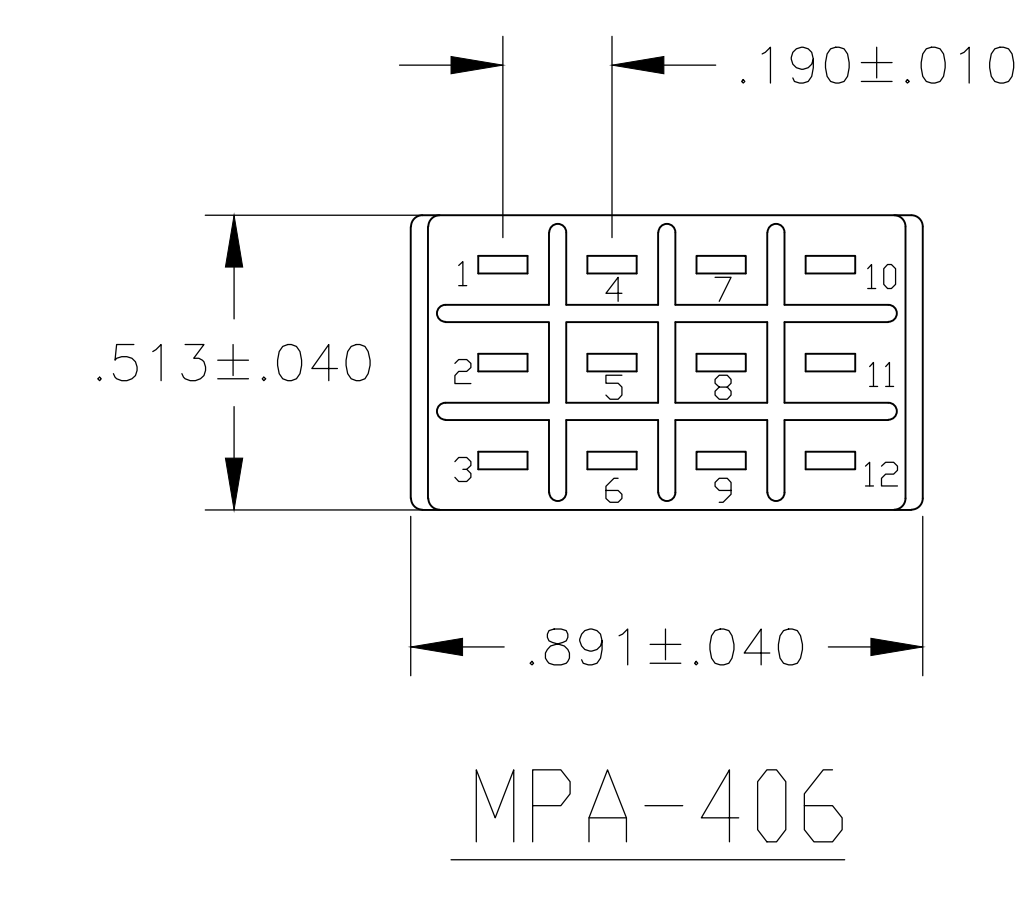
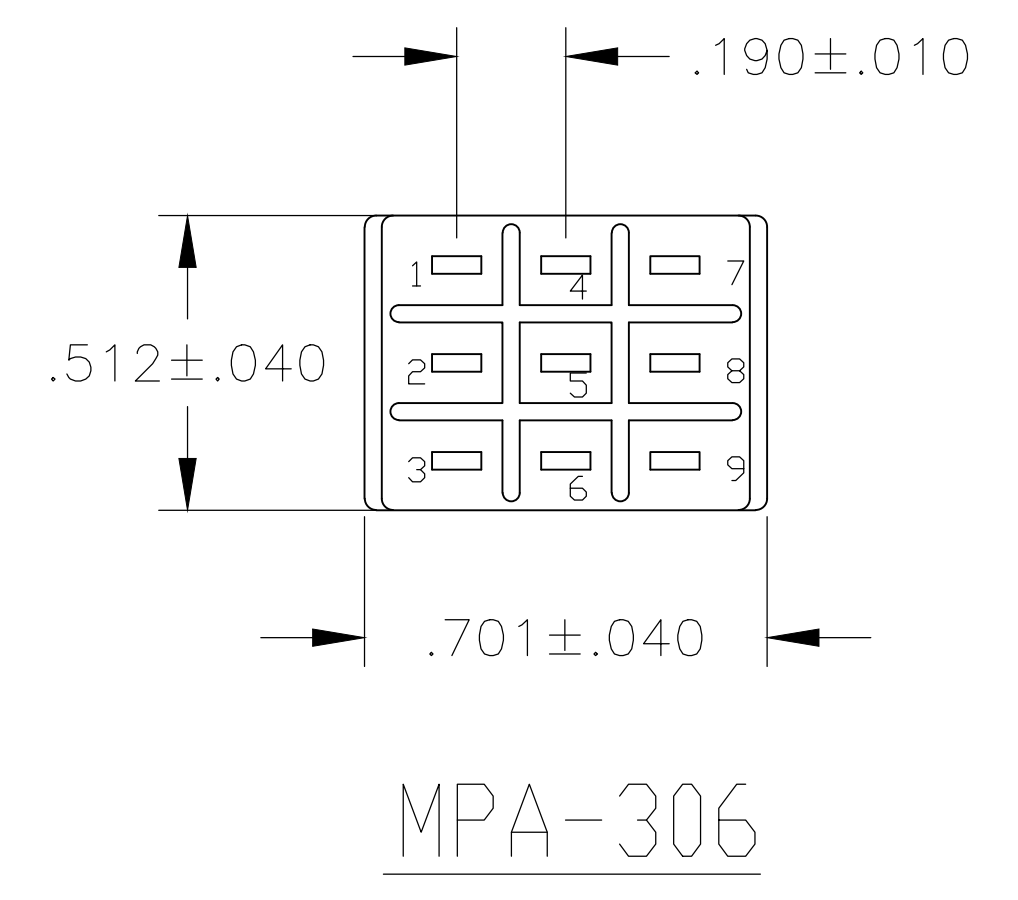
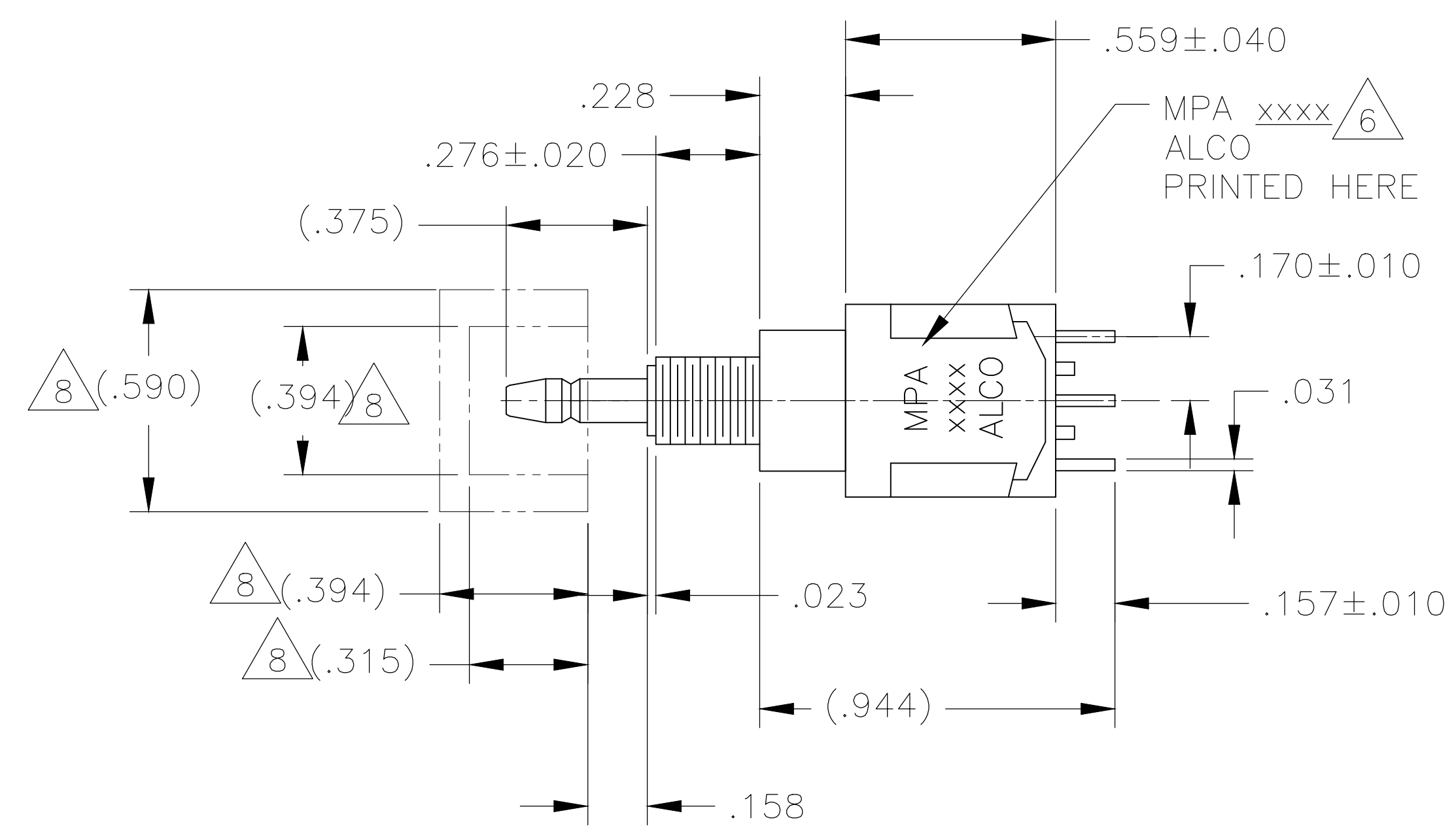


PC TERMINAL



| | | | |
|--|--------------|------------------------|---|
| THIS DRAWING IS A CONTROLLED DOCUMENT. | | DWG: M. BINNER 02MAR09 | TE Connectivity Ltd. |
| DIMENSIONS: INCHES | | CHK: M. ZITTO 15NOV04 | |
| TOLERANCES UNLESS OTHERWISE SPECIFIED: | | AP'D: M. ZITTO 15NOV04 | NAME: ALCOSWITCH GREEN SERIES PUSHBUTTON SWITCH, MPA SERIES |
| 0 PLC ± - | 1 PLC ± - | PRODUCT SPEC | APPLICATION SPEC |
| 2 PLC ± - | 3 PLC ± .012 | APPLIC. SPEC | RESTRICTED TO |
| 4 PLC ± - | ANGLES ± - | WEIGHT | SIZE: A1 CAGE CODE: 2-1437567-9 DRAWING NO: 00779 |
| MATERIAL: - | FINISH: - | CUSTOMER DRAWING | SCALE: 3:1 SHEET: 2 OF 3 REV: A5 |

| REVISIONS | | | | |
|-----------|----|-------------|------|----------|
| # | LR | DESCRIPTION | DATE | OWN APVD |
| - | - | SEE SHEET 1 | - | - |



| | | | |
|--|--------------|------------------------|---|
| THIS DRAWING IS A CONTROLLED DOCUMENT. | | DWN: M. BINNER 02MAR09 | TE Connectivity Ltd. |
| DIMENSIONS: INCHES | | CHK: M. ZITTO 15NOV04 | |
| TOLERANCES UNLESS OTHERWISE SPECIFIED: | | APVD: M. ZITTO 15NOV04 | NAME: ALCOSWITCH GREEN SERIES PUSHBUTTON SWITCH, MPA SERIES |
| 0 PLC ± - | 1 PLC ± - | PRODUCT SPEC | SIZE: A1 |
| 2 PLC ± - | 3 PLC ± .012 | APPLICATION SPEC | CAGE CODE: 2-1437567-9 |
| 4 PLC ± - | ANGLES ± - | WEIGHT | RESTRICTED TO: - |
| MATERIAL: - | FINISH: - | CUSTOMER DRAWING | SCALE: 3:1 |
| | | SHEET: 3 OF 3 | REV: A5 |

X-ON Electronics

Largest Supplier of Electrical and Electronic Components

Click to view similar products for [Pushbutton Switches](#) category:

Click to view products by [TE Connectivity](#) manufacturer:

Other Similar products are found below :

[8940K2012](#) [LW1L-M1C10V-A](#) [LW1L-M1C70-A](#) [LW2L-A1C20M-GD](#) [LW2L-M1C20M-A](#) [60324L](#) [M22-D-R-GB0/K11](#) [M7E-HRN2](#)
[67021K512](#) [67081K512X](#) [701PB580](#) [7199K101](#) [810K12910](#) [810KSV30B](#) [MML21EA2ADK](#) [MML21KA3ABK](#) [MML23KA3AC05K-001](#)
[MML23KW3AA01W](#) [8418K2](#) [8442K3](#) [8450K1](#) [860K11911T01A](#) [861901](#) [861K11911T01A07](#) [861K13810T00A14](#) [861K13911](#)
[8646AB6X718UL](#) [8646ABUL](#) [9001KXRK](#) [907AYY100](#) [PMHD155A1](#) [9533CD4+U574+U4922](#) [95-414.000](#) [99-450.837](#) [99-453.837](#)
[PV3H2B0NN-341](#) [1203MRA](#) [A22NZBGANGA](#) [A22NZBNANGA](#) [A22NZMPATRA](#) [A2PMA1X03EC56](#) [A3A-5123-02](#) [A3A-7140](#) [A3A-7310](#) [A3A-7340](#) [A3U-TMW-A2C-5M](#) [A595](#) [12037A2ULCSA](#) [ABD122N-B](#) [1211390004](#)