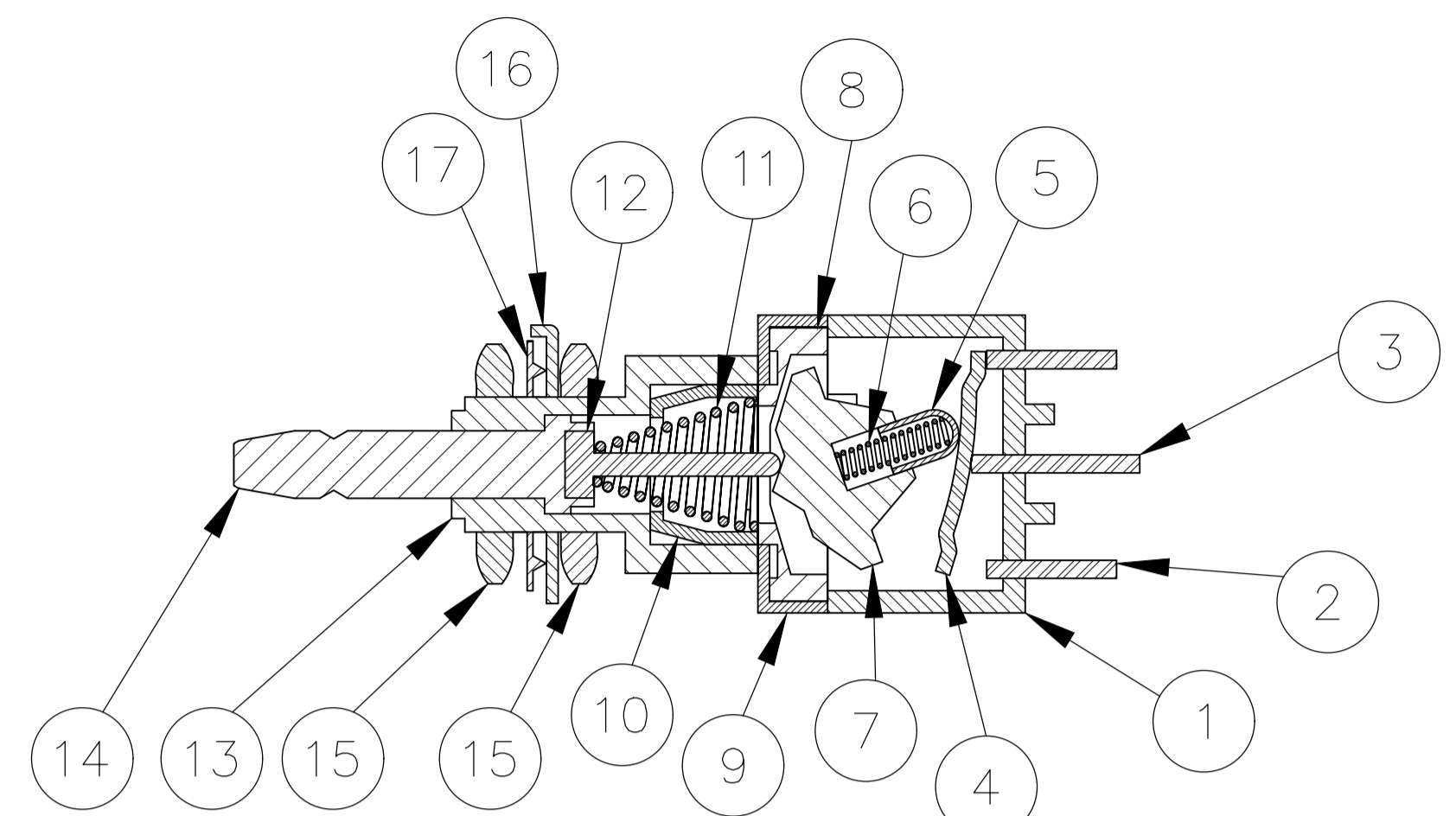


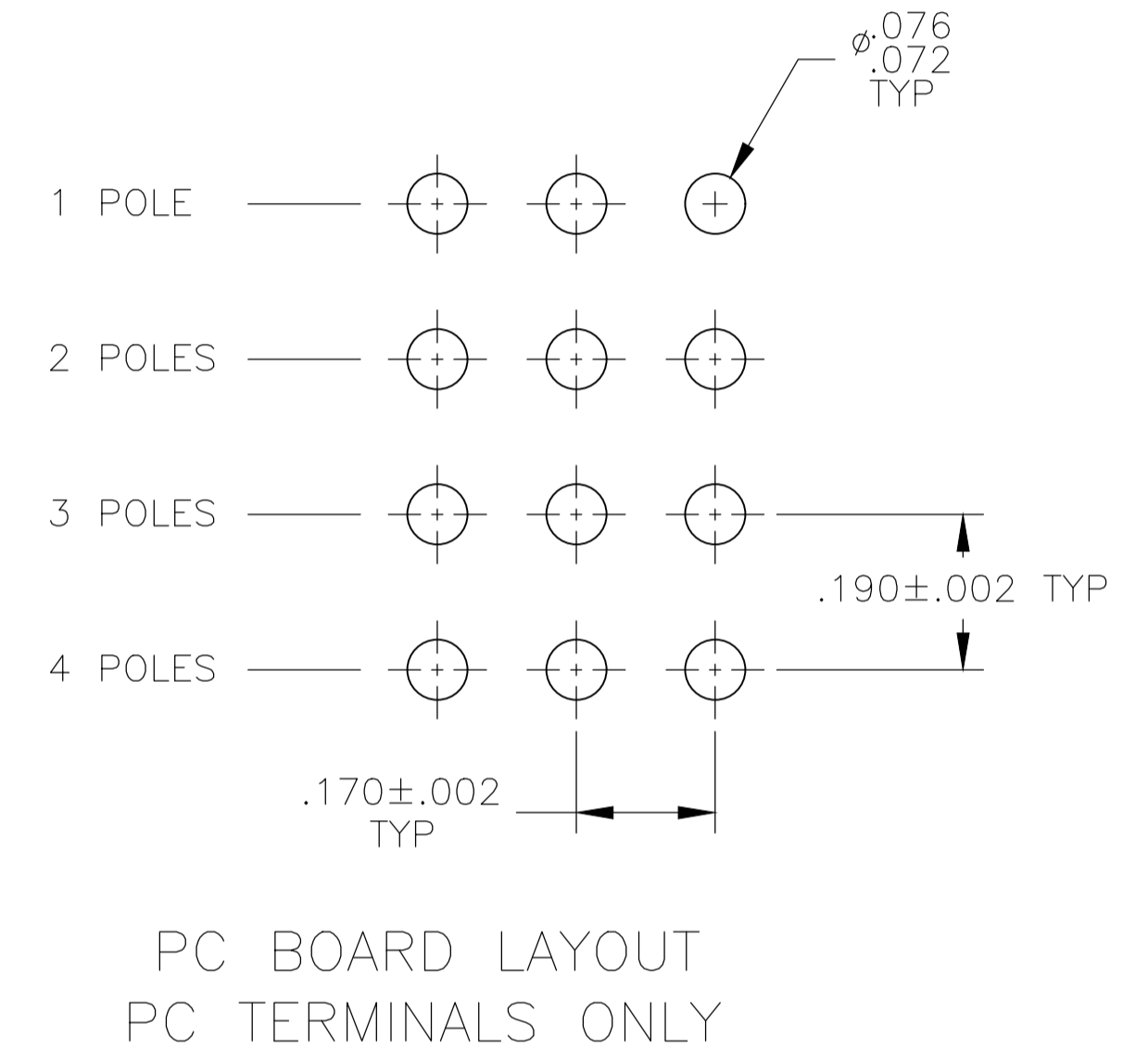
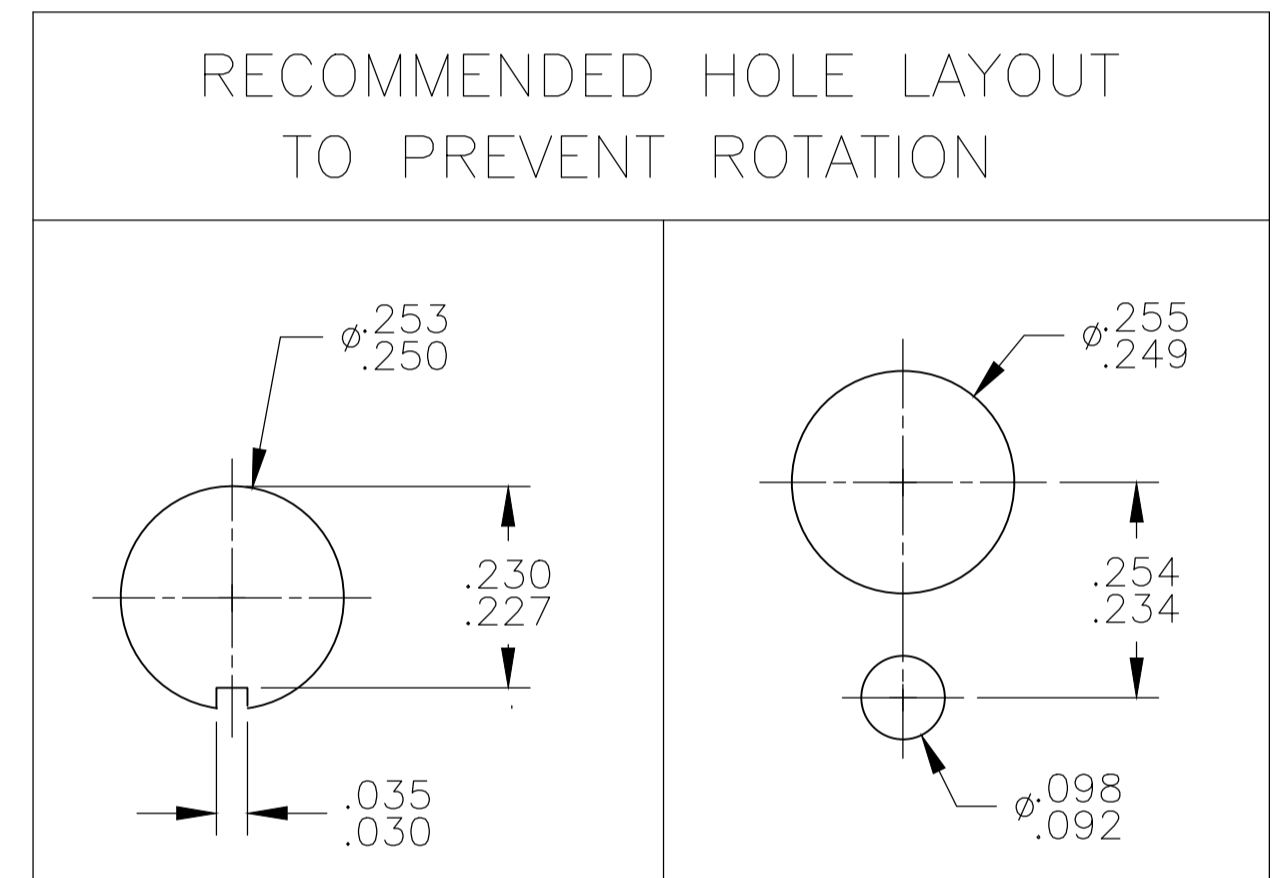
REVISIONS				
P	LTR	DESCRIPTION	DATE	APPV
A5	ECR-18-009229		25SEP2018	DHC PO

Materials			
No	Component name	Base material	Plating
1	Housing	Diallyl phthalate resin	
2	End terminal	silver clad copper alloy	gold flash
3	Center terminal	copper alloy	gold flash
4	Rocker contact	silver clad copper alloy	gold flash
5	Actuator tip	Phenol resin, UL94 HB	
6	Actuator spring	music wire	
7	Actuator	Phenol resin, UL94 HB	
8	Actuator guide	polyamid resin	
9	Frame	cold rolled steel	zinc
10	Retainer	brass	none
11	Plunger spring	music wire	
12	Plunger pin	brass	
13	Bushing	zinc	nickel
14	Plunger	brass	nickel
15	Mounting nuts (2)	brass	nickel
16	Locating ring	cold rolled steel	nickel
17	Internal tooth lockwasher	steel	nickel



NOT TO SCALE

Specifications-see note 3						
Current rating UL & CSA	6A @ 125 VAC (resistive)					
	3A @ 250 VAC (resistive)					
	4A @ 28 VDC (resistive)					
Initial contact resistance	10 milliohms max @ 2-4 VDC, 1A					
Insulation resistance	1,000 megohms min.					
Dielectric strength	1,500 VAC					
Travel	.140					
Actuation force	.4 to 2 kgf					
Operating temperature	-20C to +85C					
Storage temperature	-40C to +85C					
Contact timing	break before make					
Terminal seal	over molded					
Durability	Parameter	Push on/ Push off	Momentary			
				250 VAC (3A resistive)	50,000	50,000
				125 VAC (6A resistive)	50,000	50,000
				28 VDC (4A resistive)	50,000	50,000



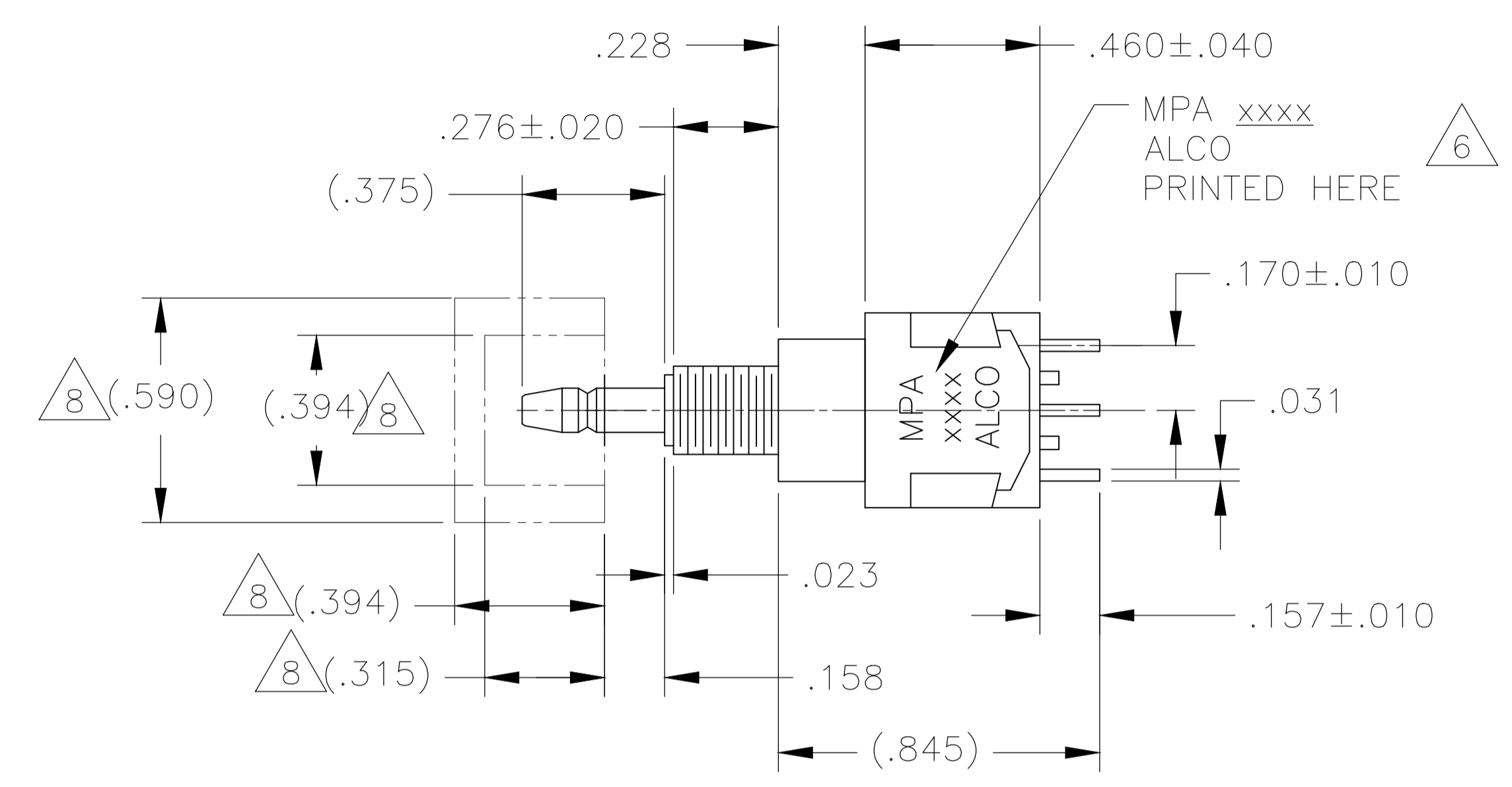
- NOTES:
- TERMINAL NUMBERS ARE FOR REFERENCE ONLY AND DO NOT APPEAR ON THE SWITCHES.
 - EACH SWITCH SUPPLIED WITH THE FOLLOWING MOUNTING HARDWARE:
 - (2) 1/4-40 UNS-2B HEX NUTS
 - (1) INTERNAL TOOTH LOCKWASHER
 - (1) LOCATING RING
- 5 WIRE LUG CONTACTS WILL ACCEPT 2 #20 AWG SOLID OR STRANDED WIRES.
6 MARK SWITCH
- ALL MATERIALS AND FINISHES SHALL COMPLY WITH EU DIRECTIVE 2002/95/EC OF 27JAN2003 (ROHS).
 - SWITCH DOES NOT INCLUDE BUTTON CAP. DIMENSIONS SHOWN DESCRIBE ALCO SWITCH CAP C22* AND C23* FOUND ON DRAWINGS 1825068 & 1825069 AND SOLD SEPARATELY.
 - LASER MARKING USED FOR PARTS.
- 10 OBSOLETE

PART NUMBER	Alco P/N	Mark Switch	Poles	Throws	Terminal	Function		Connected Terminals	
						ON	MOM	ON	MOM
3-1437567-8	MPA406R	MPA 406R	4	2	Wire lug	ON	MOM	2-1, 5-4, 8-7, 11-10	2-3, 5-6, 8-9, 11-12
3-1437567-7	MPA406N	MPA 406N	4	2	Wire lug	ON	ON	2-1, 5-4, 8-7, 11-10	2-3, 5-6, 8-9, 11-12
3-1437567-6	MPA306F	MPA 306F	3	2	Wire lug	ON	MOM	2-1, 5-4, 8-7	2-3, 5-6, 8-9
3-1437567-5	MPA306D	MPA 306D	3	2	Wire lug	ON	ON	2-1, 5-4, 8-7	2-3, 5-6, 8-9
3-1437567-4	MPA206RPC	MPA 206RPC	2	2	PC	ON	MOM	2-1, 5-4	2-3, 5-6
3-1437567-3	MPA206R	MPA 206R	2	2	Wire lug	ON	MOM	2-1, 5-4	2-3, 5-6
3-1437567-2	MPA206NPC	MPA 206NPC	2	2	PC	ON	ON	2-1, 5-4	2-3, 5-6
3-1437567-1	MPA206N	MPA 206N	2	2	Wire lug	ON	ON	2-1, 5-4	2-3, 5-6
3-1437567-0	MPA106FPC	MPA 106FPC	1	2	PC	ON	MOM	2-1	2-3
2-1437567-9	MPA106F	MPA 106F	1	2	Wire lug	ON	MOM	2-1	2-3
2-1437567-8	MPA106D	MPA 106D	1	2	Wire lug	ON	ON	2-1	2-3

THIS DRAWING IS A CONTROLLED DOCUMENT.

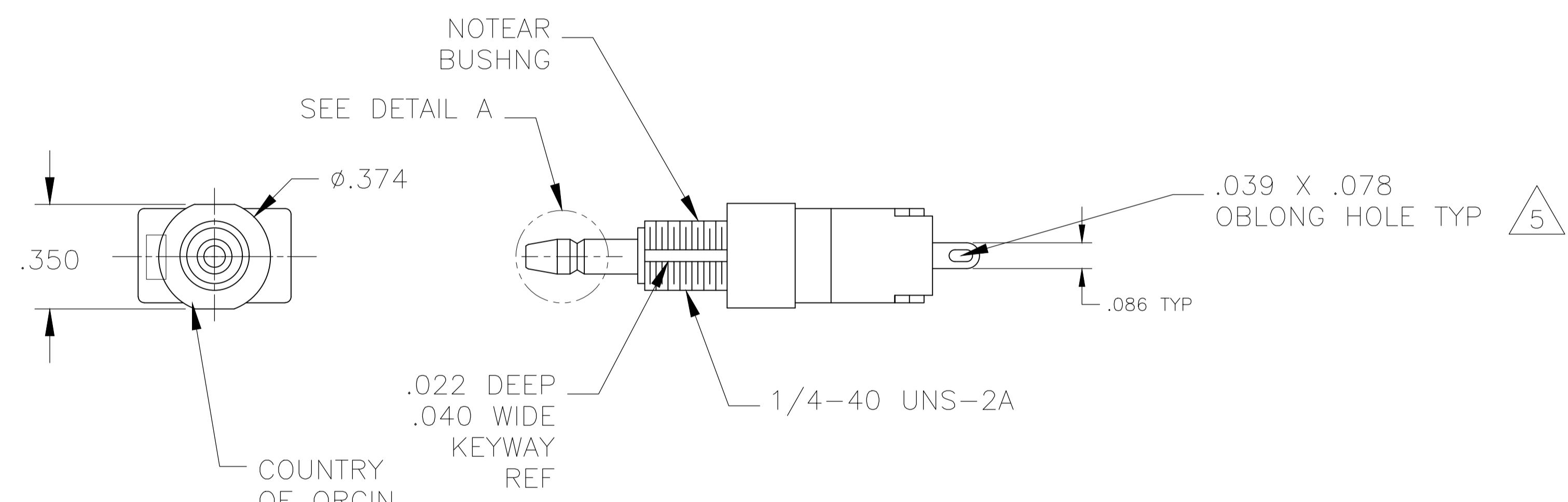
DIMENSIONS: INCHES	TOLERANCES UNLESS OTHERWISE SPECIFIED:	DIN M. BINNER 02MAR09	STE
0. PLC ± .01	1. PLC ± .01	CHK: M. ZITTO 15NOV04	TE Connectivity Ltd.
1. PLC ± .01	2. PLC ± .01	NAME: M. ZITTO 15NOV04	ALCOSWITCH GREEN SERIES PUSHBUTTON SWITCH, MPA SERIES
2. PLC ± .01	3. PLC ± .01	APPLICATION SPEC	
3. PLC ± .01	4. PLC ± .01	SIZE: A1	CAGE CODE: 00779
4. PLC ± .01	ANGLES ± .01	DRAWING NO: 2-1437567-9	RESTRICTED TO
MATERIAL: -	FINISH: -	WEIGHT: -	CUSTOMER DRAWING
		SCALE: 3:1	SHEET 1 OF 3
		REV: A5	

REVISIONS				
#	DATE	DESCRIPTION	BY	APP'D
-	-	SEE SHEET 1	-	-

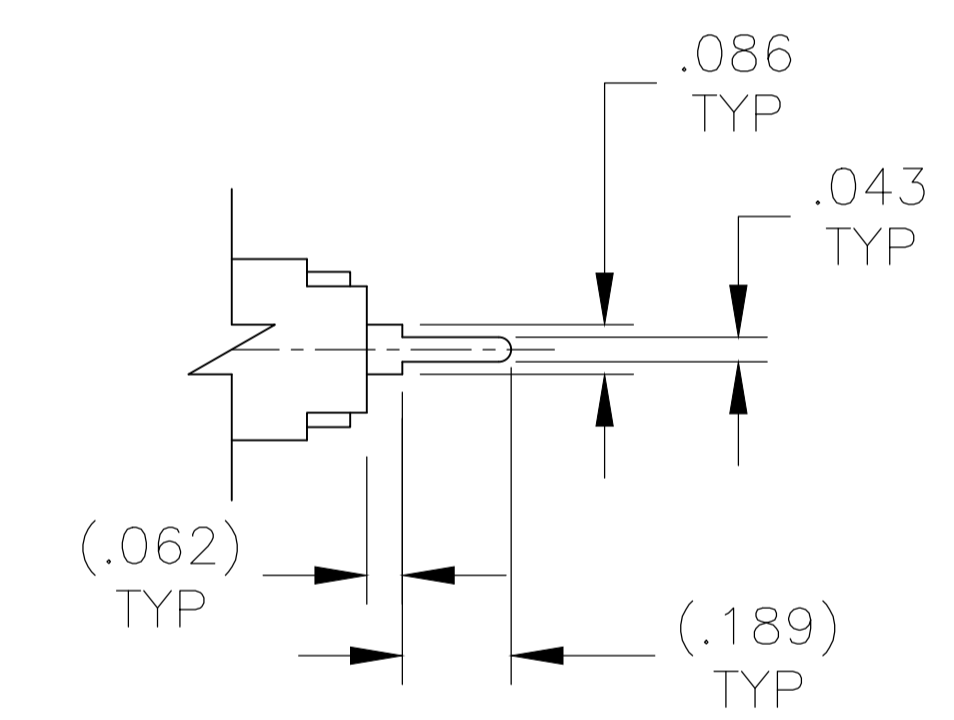


MPA-106

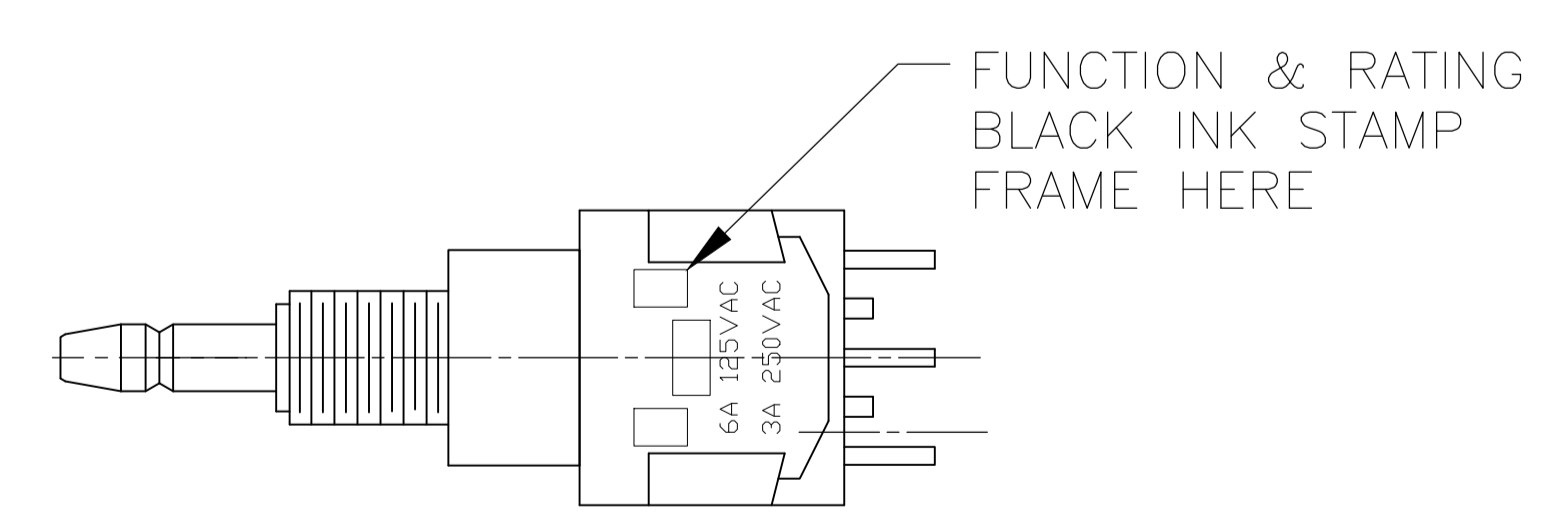
MPA-206



WIRE LUG TERMINAL

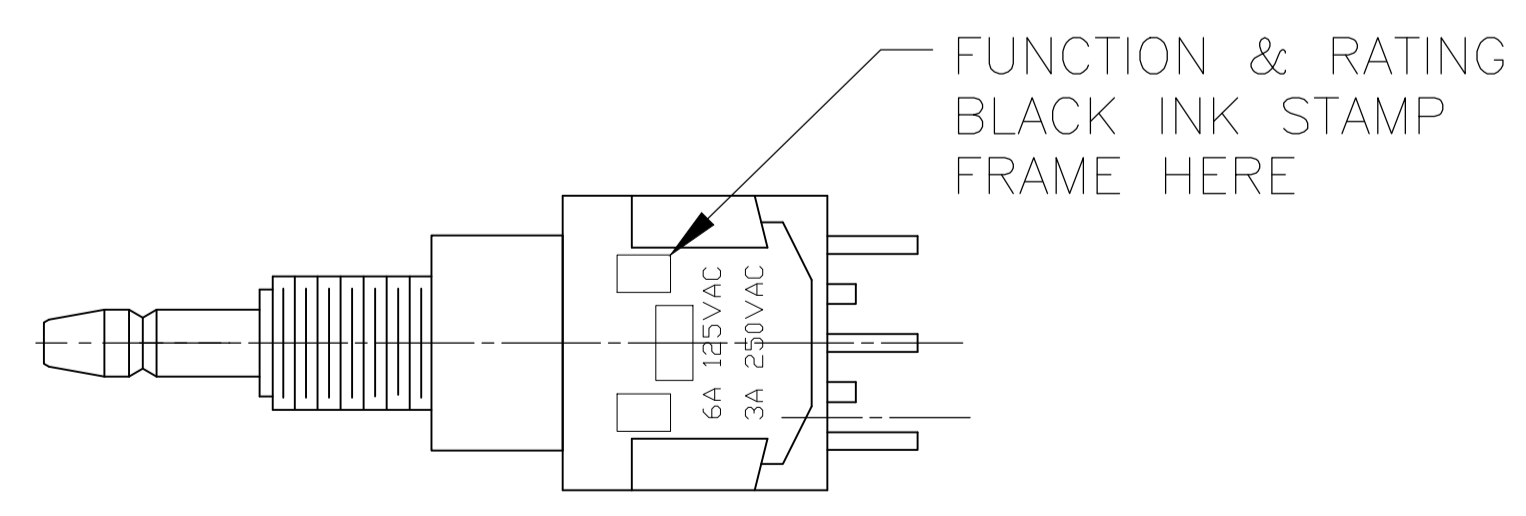
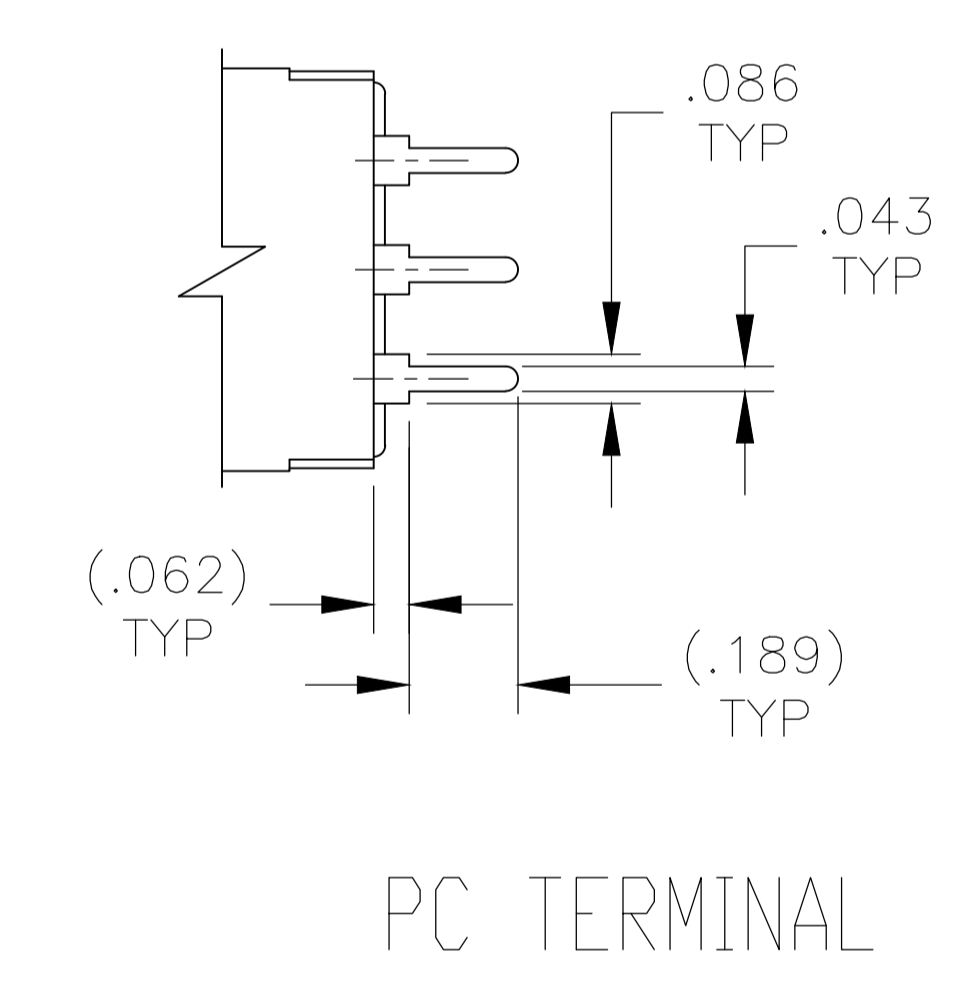
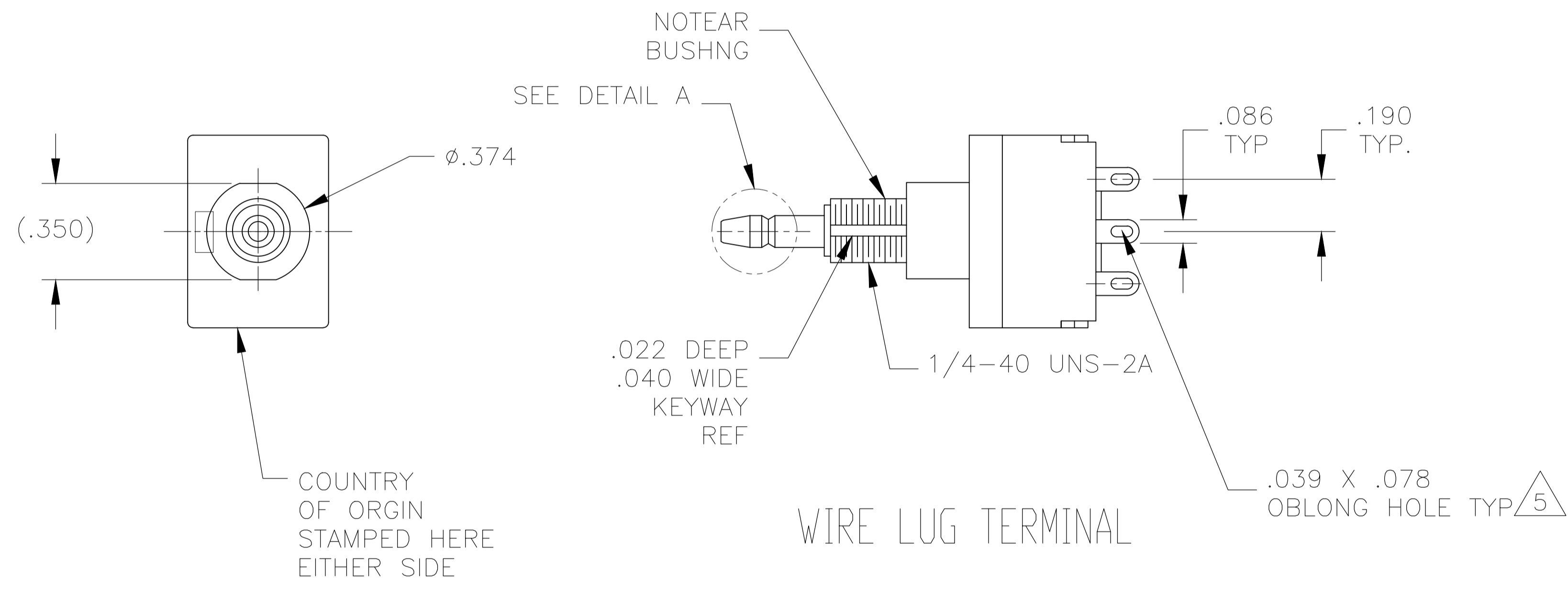
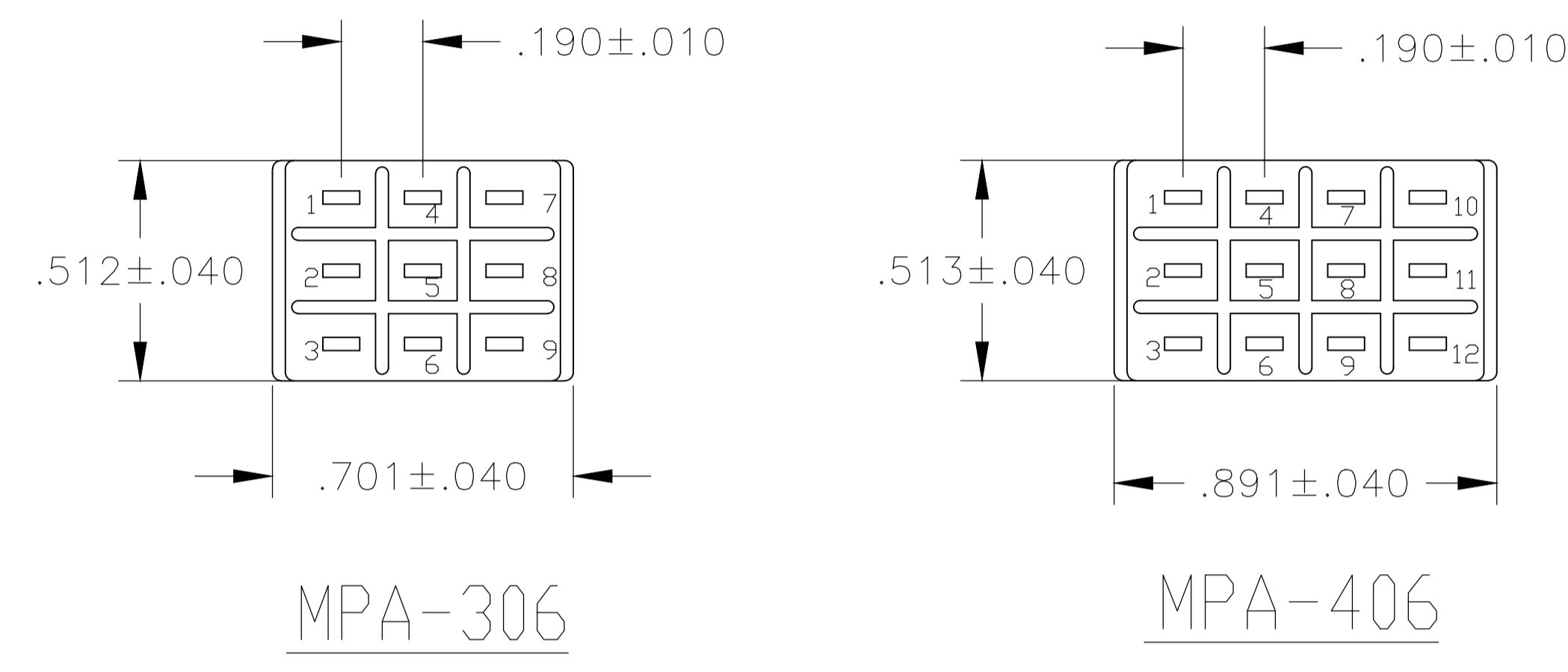
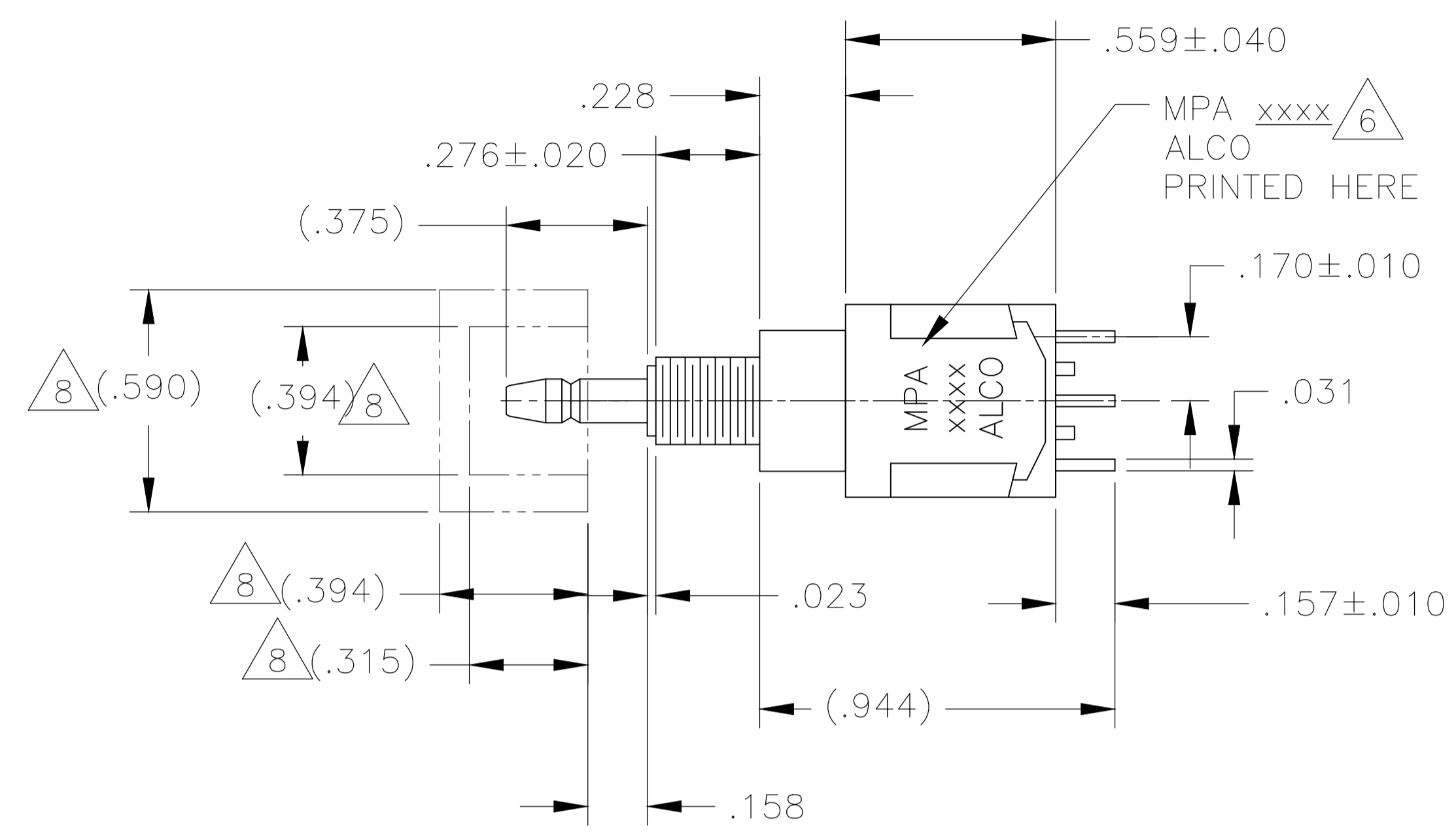


PC TERMINAL



THIS DRAWING IS A CONTROLLED DOCUMENT.		DWG: M. BINNER	02MAR09	TE Connectivity Ltd.
DIMENSIONS: INCHES		CHK: M. ZITTO	15NOV04	
TOLERANCES UNLESS OTHERWISE SPECIFIED:		AP'D: M. ZITTO	15NOV04	NAME: ALCOSWITCH GREEN SERIES PUSHBUTTON SWITCH, MPA SERIES
0 PLC ± -	1 PLC ± -	PRODUCT SPEC		
2 PLC ± -	3 PLC ± .012	APPLICATION SPEC		
4 PLC ± -	ANGLES ± -	WEIGHT		
MATERIAL	FINISH	CUSTOMER DRAWING	SCALE: 3:1	RESTRICTED TO: A1 00779 2-1437567-9
			SHEET 2 OF 3	REV A5

REVISIONS				
#	LR	DESCRIPTION	DATE	OWN APVD
-	-	SEE SHEET 1	-	-



THIS DRAWING IS A CONTROLLED DOCUMENT.		DWN: M. BINNER 02MAR09	TE Connectivity Ltd.
DIMENSIONS: INCHES		CHK: M. ZITTO 15NOV04	
TOLERANCES UNLESS OTHERWISE SPECIFIED:		APVD: M. ZITTO 15NOV04	NAME: ALCOSWITCH GREEN SERIES PUSHBUTTON SWITCH, MPA SERIES
0 PLC ± -	1 PLC ± -	PRODUCT SPEC	SIZE: A1
2 PLC ± -	3 PLC ± .012	APPLICATION SPEC	CAGE CODE: 2-1437567-9
4 PLC ± -	ANGLES ± -	WEIGHT	RESTRICTED TO: -
MATERIAL: -	FINISH: -	CUSTOMER DRAWING	SCALE: 3:1
		SHEET: 3 OF 3	REV: A5

X-ON Electronics

Largest Supplier of Electrical and Electronic Components

Click to view similar products for [Pushbutton Switches](#) category:

Click to view products by [TE Connectivity](#) manufacturer:

Other Similar products are found below :

[8940K2012](#) [LW1L-M1C10V-A](#) [LW1L-M1C70-A](#) [LW2L-A1C20M-GD](#) [LW2L-M1C20M-A](#) [60324L](#) [M22-D-R-GB0/K11](#) [M7E-HRN2](#)
[67021K512](#) [67081K512X](#) [701PB580](#) [7199K101](#) [810K12910](#) [810KSV30B](#) [MML21EA2ADK](#) [MML21KA3ABK](#) [MML23KA3AC05K-001](#)
[MML23KW3AA01W](#) [8418K2](#) [8442K2](#) [8442K3](#) [8450K1](#) [860K11911T01A](#) [861901](#) [861K11911T01A07](#) [861K13810T00A14](#) [861K13911](#)
[8646AB6X718UL](#) [8646ABUL](#) [9001KXRK](#) [907AYY100](#) [PMHD155A1](#) [9533CD4+U574+U4922](#) [95-414.000](#) [99-450.837](#) [99-453.837](#)
[PV3H2B0NN-341](#) [1203MRA](#) [A22NZBGANGA](#) [A22NZBNANGA](#) [A22NZMPATRA](#) [A2PMA1X03EC56](#) [A3A-5123-02](#) [A3A-7140](#) [A3A-7310](#) [A3A-7340](#) [A3U-TMW-A2C-5M](#) [A595](#) [12037A2ULCSA](#) [ABD122N-B](#)