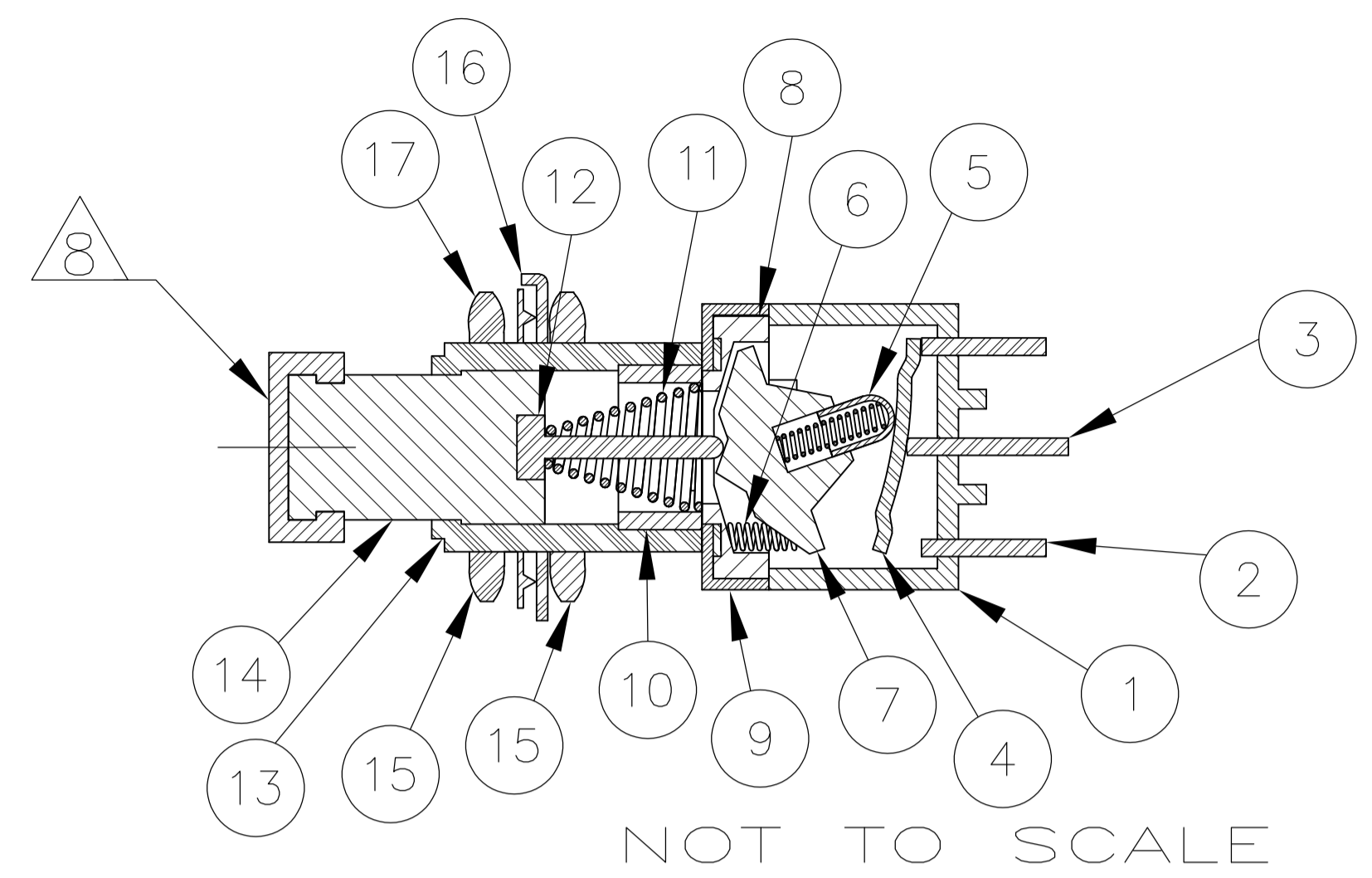
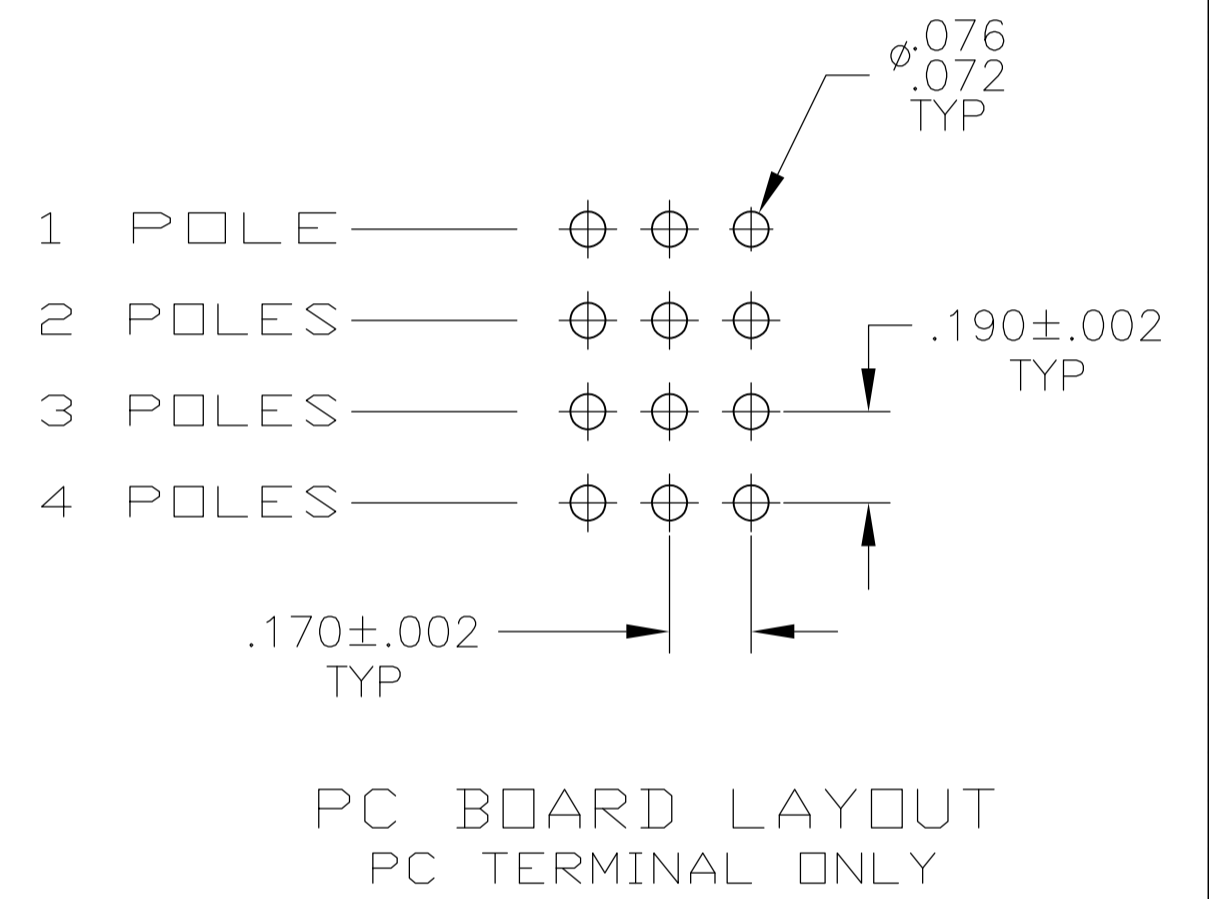
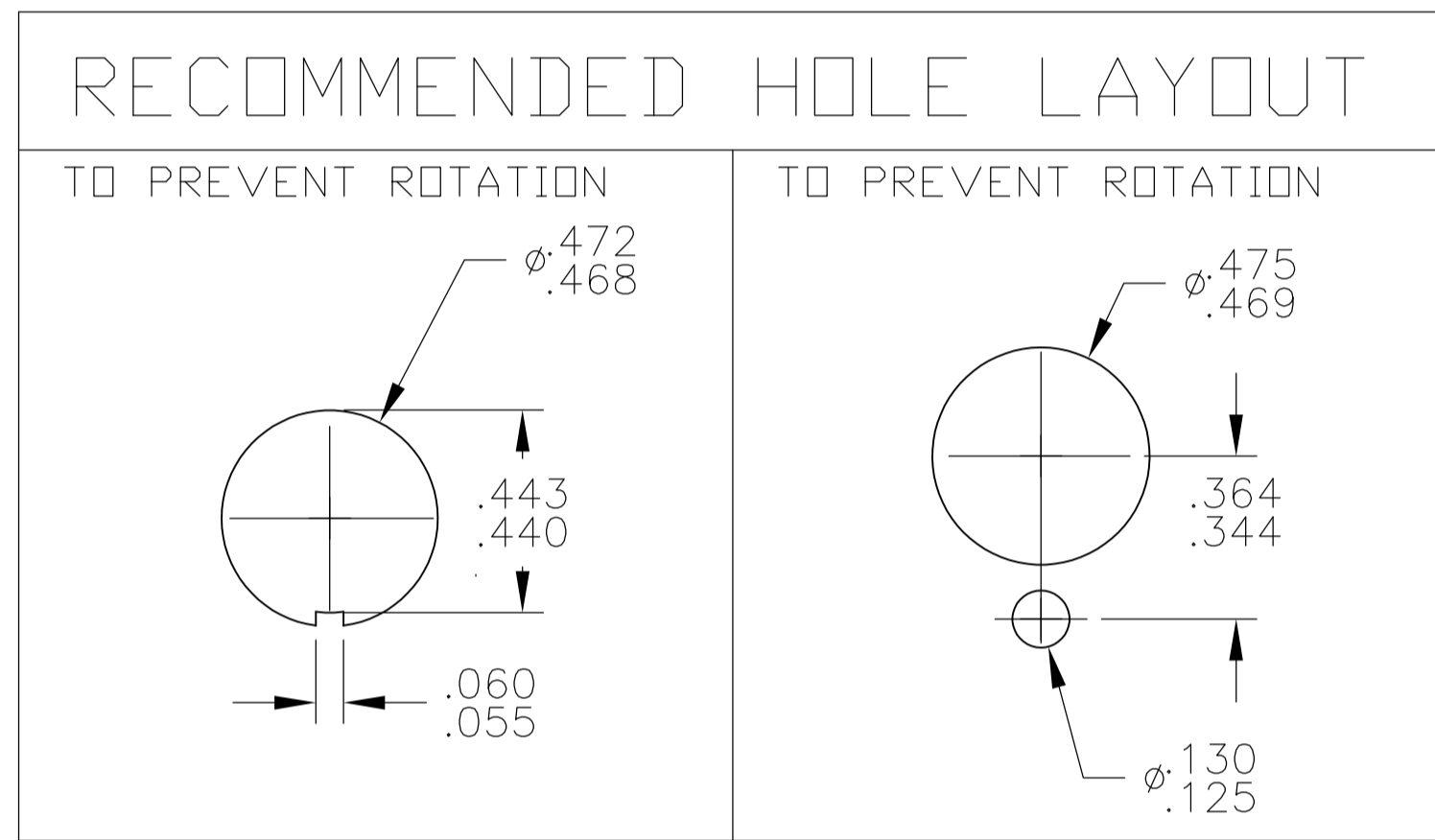


Materials			
No	Component name	Base material	Plating
1	Housing	Diallyl phthalate resin	
2	End terminal	silver clad copper alloy	gold flash
3	Center terminal	copper alloy	gold flash
4	Rocker contact	silver clad copper alloy	gold flash
5	Actuator tip	Phenol resin, UL94 HB	
6	Actuator spring	music wire	
7	Actuator	Phenol resin, UL94 HB	
8	Actuator guide	polymer	
9	Frame	stainless steel 100-77	
10	Retainer/Stopper	polyamid resin	none
11	Plunger spring	music wire	
12	Plunger pin	brass	
13	Bushing	zinc	nickel
14	Plunger	brass	nickel
15	Mounting nuts (2)	brass	nickel
16	Locating ring	cold rolled steel	nickel
17	Internal tooth lockwasher	steel	nickel



NOT TO SCALE

Specifications			
Current rating UL & CSA	6A @ 125 VAC (resistive)		
	3A @ 250 VAC (resistive)		
	4A @ 28 VDC (resistive)		
Initial contact resistance	10 milliohms max @ 2-4 VDC, 1A		
Dielectric strength	1,000 megohms min.		
Withstanding voltage	1,500 VAC		
Travel	.140		
Actuation force	.4 to 2 kgf		
Operating temperature	-20C to +85C		
Storage temperature	-40C to +85C		
Contact timing	break before make		
Terminal seal	over molded		
Durability	Parameter	Push on/ Push off	Momentary
	250 VAC (3A resistive)	30,000	30,000
	125 VAC (6A resistive)	30,000	30,000
	28 VDC (4A resistive)	30,000	30,000



PART NUMBER	Alco P/N	Mark SWITCH	Poles	Throws	Terminal	Function		Connected Terminals	
						MPG xxx ALCO	MPG xxx ALCO	MPG xxx ALCO	MPG xxx ALCO
5-1437567-8	MPG406R	MPG 406R	4	2	Wire lug	ON	MOM	2-1, 5-4, 8-7, 11-10	2-3, 5-6, 8-9, 11-12
5-1437567-7	MPG406N	MPG 406N	4	2	Wire lug	ON	ON	2-1, 5-4, 8-7, 11-10	2-3, 5-6, 8-9, 11-12
5-1437567-6	MPG306F	MPG 306F	3	2	Wire lug	ON	MOM	2-1, 5-4, 8-7	2-3, 5-6, 8-9
5-1437567-5	MPG306D	MPG 306D	3	2	Wire lug	ON	ON	2-1, 5-4, 8-7	2-3, 5-6, 8-9
5-1437567-4	MPG206RPC	MPG 206RPC	2	2	PC	ON	MOM	2-1, 5-4	2-3, 5-6
5-1437567-3	MPG206R	MPG 206R	2	2	Wire lug	ON	MOM	2-1, 5-4	2-3, 5-6
5-1437567-2	MPG206NPC	MPG 206NPC	2	2	PC	ON	ON	2-1, 5-4	2-3, 5-6
5-1437567-1	MPG206N	MPG 206N	2	2	Wire lug	ON	ON	2-1, 5-4	2-3, 5-6
5-1437567-0	MPG106F	MPG 106F	1	2	Wire lug	ON	MOM	2-1	2-3
4-1437567-9	MPG106D	MPG 106D	1	2	Wire lug	ON	ON	2-1	2-3

- NOTES:
- TERMINAL NUMBERS ARE FOR REFERENCE ONLY AND DO NOT APPEAR ON THE SWITCHES.
 - EACH SWITCH SUPPLIED WITH THE FOLLOWING MOUNTING HARDWARE:
 - (2) 15/32-32 UNS-2B HEX NUTS
 - (1) INTERNAL TOOTH LOCKWASHER
 - (1) LOCATING RING

5 WIRE LUG CONTACTS WILL ACCEPT 2 #20 AWG SOLID OR STRANDED WIRES.
 6 MARK SWITCH

- ALL MATERIALS AND FINISHES SHALL COMPLY WITH EU DIRECTIVE 2002/95/EC OF 27JAN2003 (ROHS).
- BLACK CAP INCLUDED WITH EACH SWITCH IF DIFFERENT COLOR REQUIRED ORDER SEPARATELY DRAWING NUMBER 7-1437627-1
- LASER MARKING USED FOR PARTS.

THIS DRAWING IS A CONTROLLED DOCUMENT.

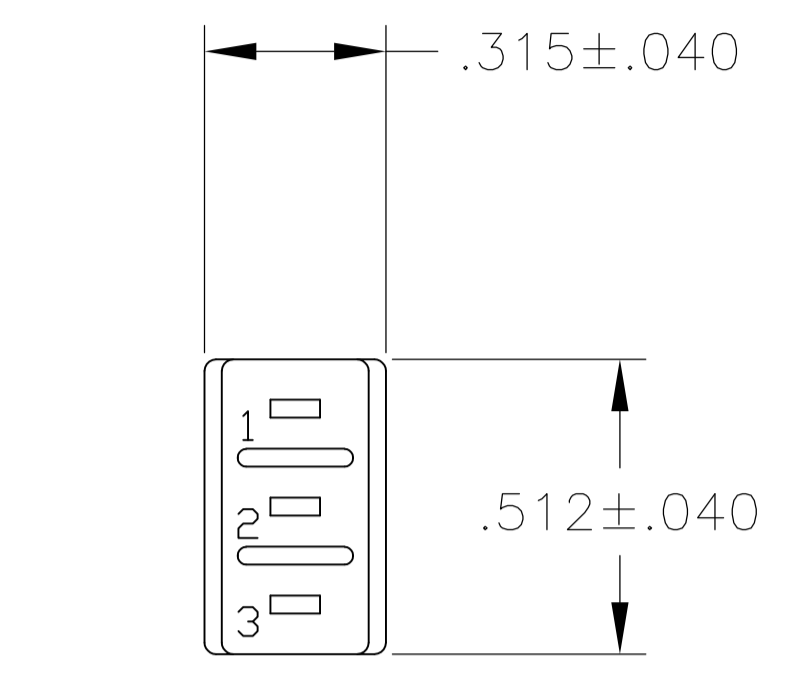
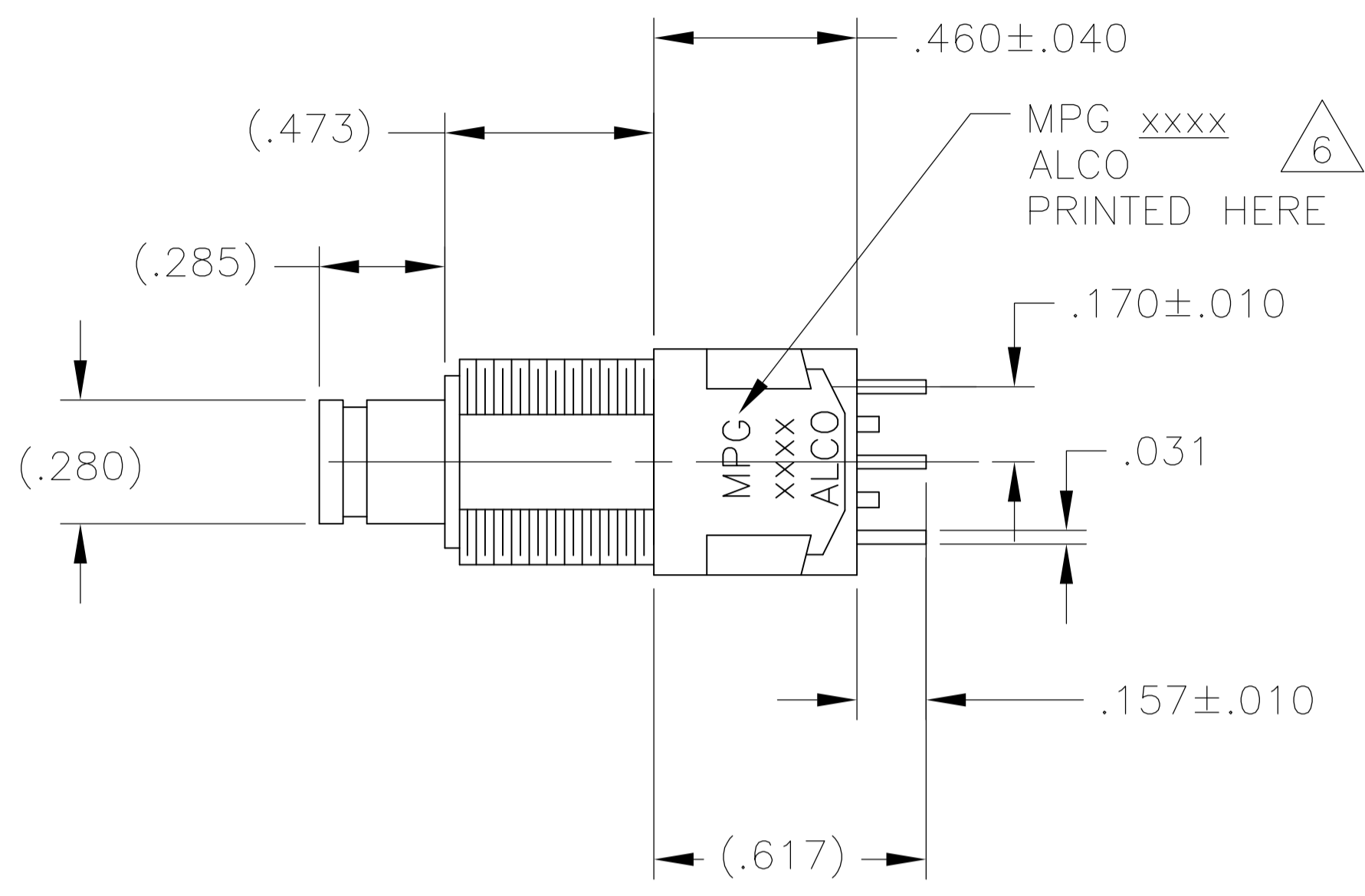
DIMENSIONS: INCHES	TOLERANCES UNLESS OTHERWISE SPECIFIED:	0. PLC ± .010	1. PLC ± .010	2. PLC ± .010	3. PLC ± .010	4. PLC ± .010	ANGLES ± .010
MATERIAL	FINISH	WEIGHT	SIZE	CAGE CODE	DRAWING NO.	RESTRICTED TO	
			A1	00779	4-1437567-9		

CUSTOMER DRAWING SCALE 3:1 SHEET 1 OF 3 REV C3

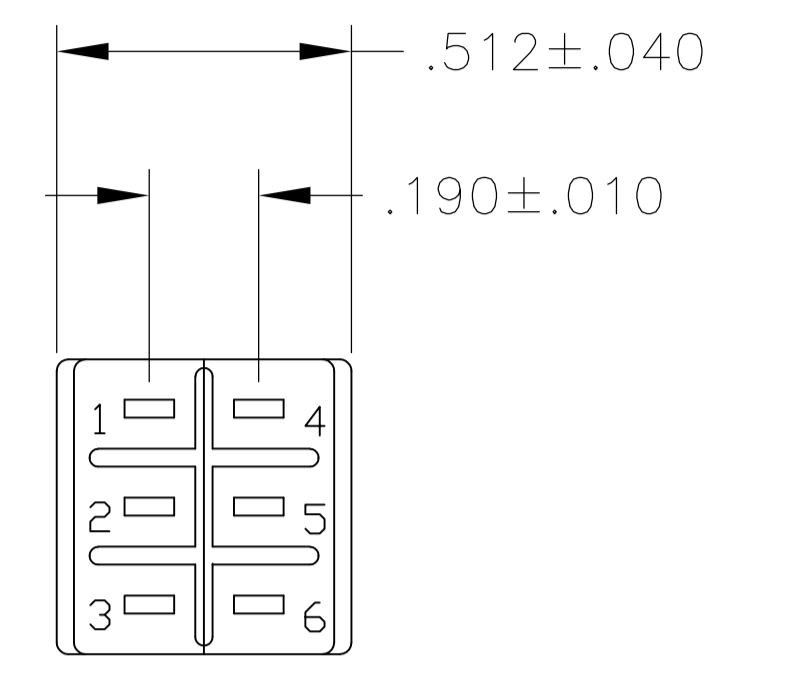
STE TE Connectivity

ALCOSWITCH GREEN SERIES PUSHBUTTON SWITCH, MPG SERIES

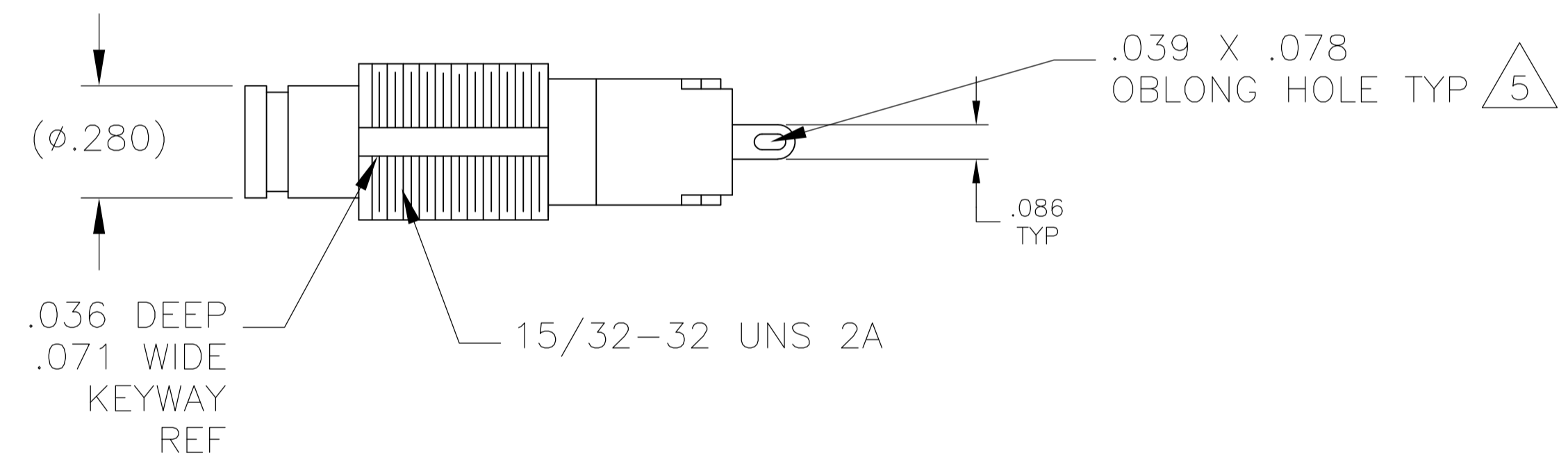
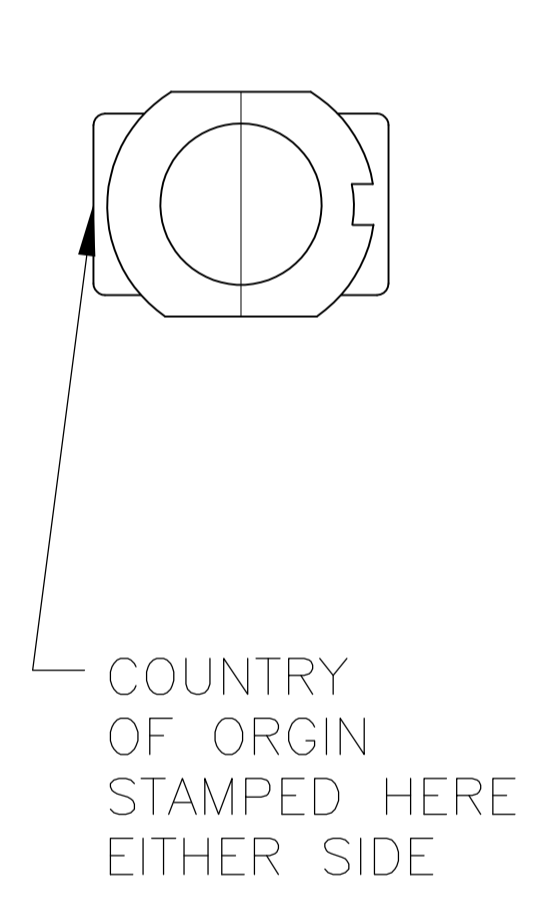
LOC		DIST		REVISIONS			
P	LTR	DESCRIPTION	DATE	DN	APVD		
-	-	SEE SHEET 1	-	-	-	-	-



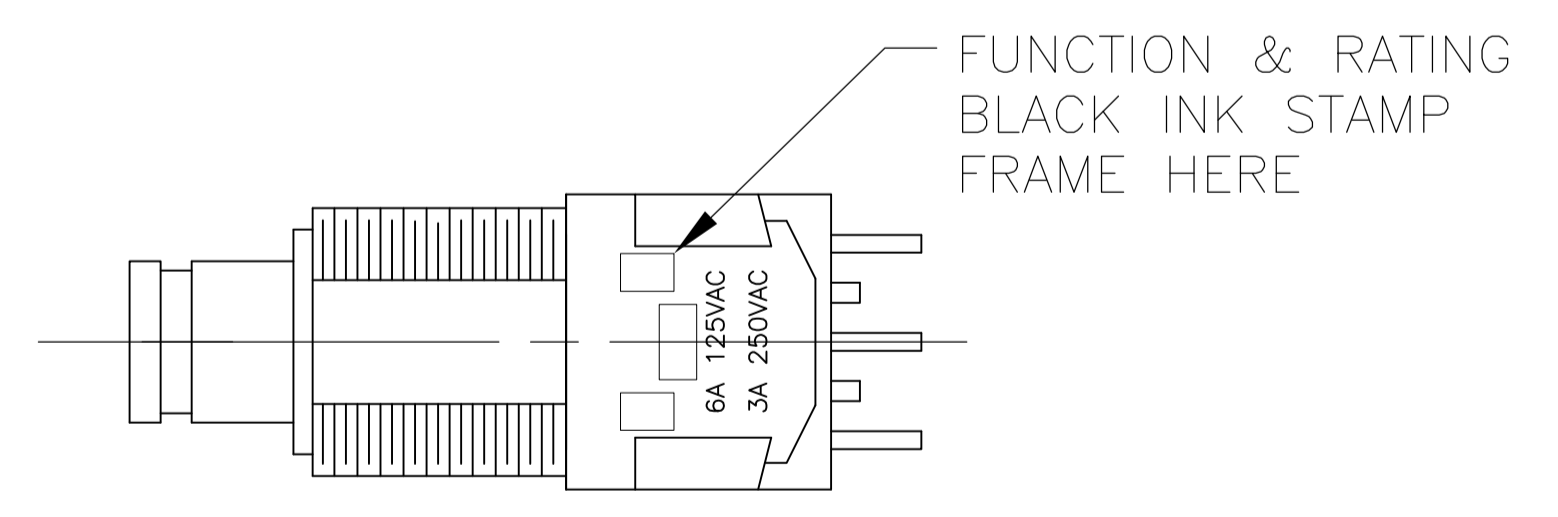
MPG-106



MPG-206



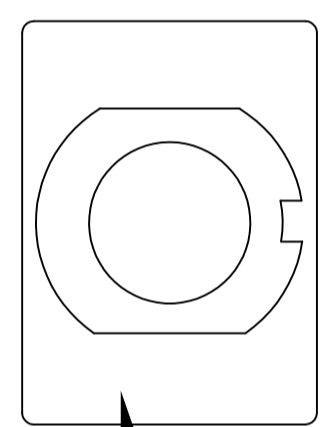
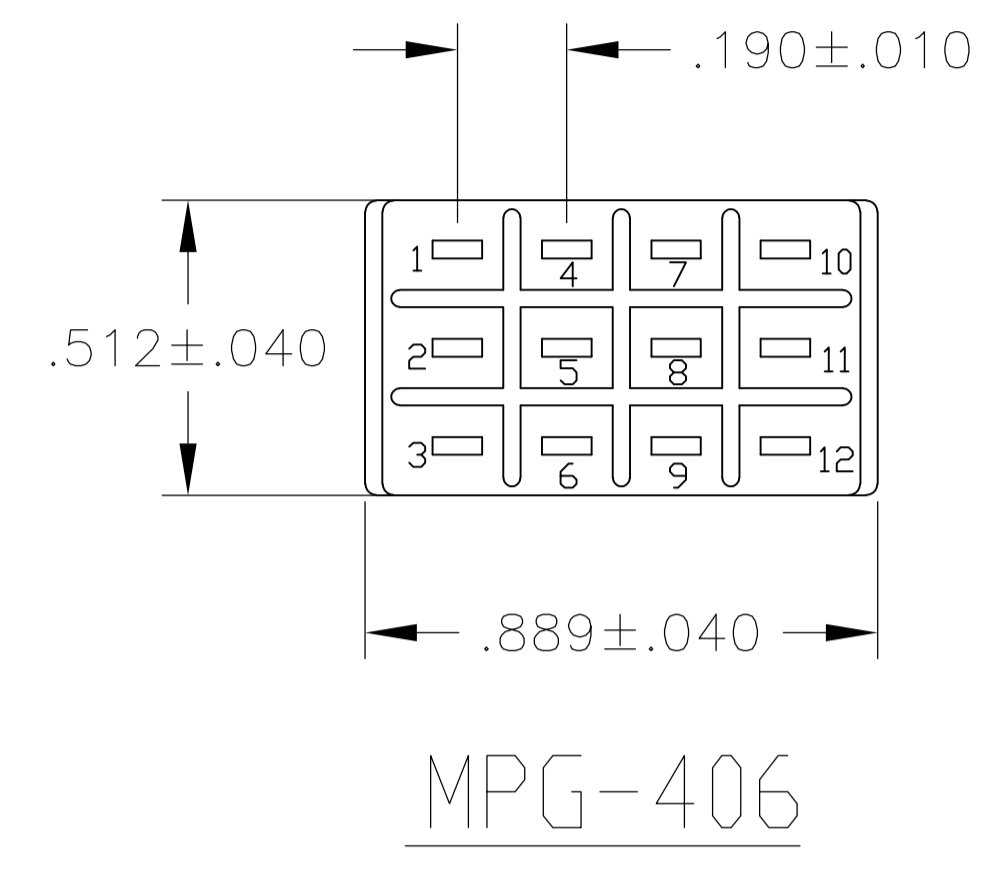
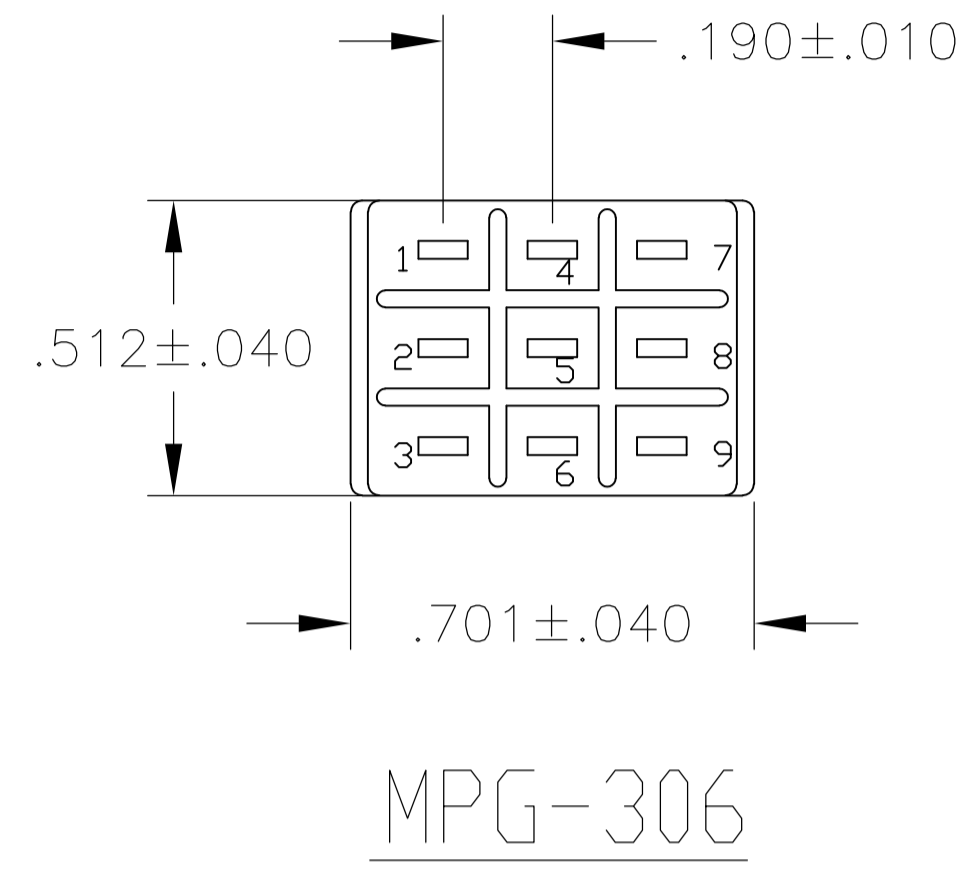
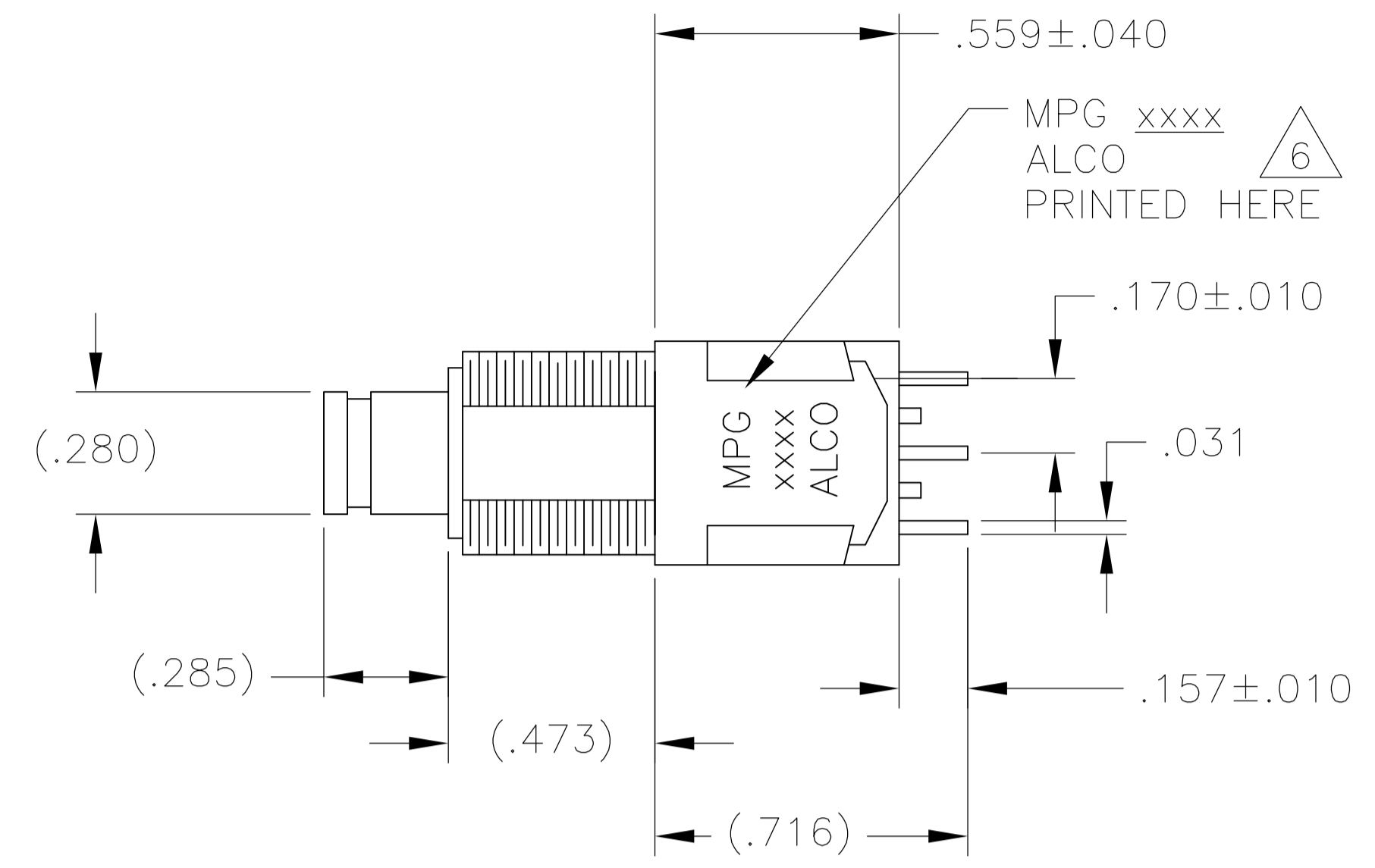
WIRE LUG TERMINAL



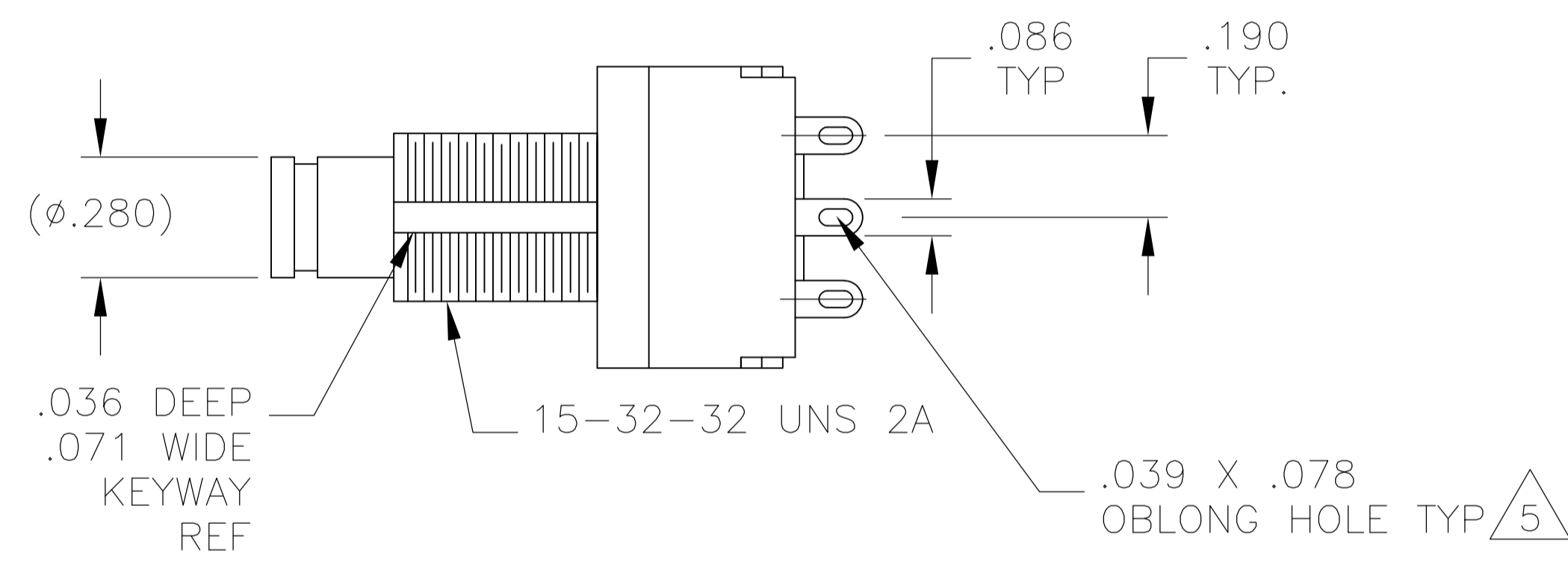
PC TERMINAL

THIS DRAWING IS A CONTROLLED DOCUMENT.		DIN	M. BINNER	02MAR09	TE Connectivity	
DIMENSIONS: INCHES		CHK	M. ZITTO	15NOV04		
TOLERANCES UNLESS OTHERWISE SPECIFIED:		APPD	M. ZITTO	15NOV04	NAME: ALCOSWITCH GREEN SERIES PUSHBUTTON SWITCH, MPG SERIES	
0. PLC	± .-	PRODUCT SPEC	APPLICATION SPEC			
1. PLC	± .-	APPLICATION SPEC	SIZE: A1			
2. PLC	± .-	WEIGHT	CAGE CODE: 4-1437567-9			
3. PLC	± .012	CUSTOMER DRAWING	SCALE: 3:1			
4. PLC	± .-	RESTRICTED TO	SHEET 2 OF 3			
ANGLES	± .-	REV	C3			

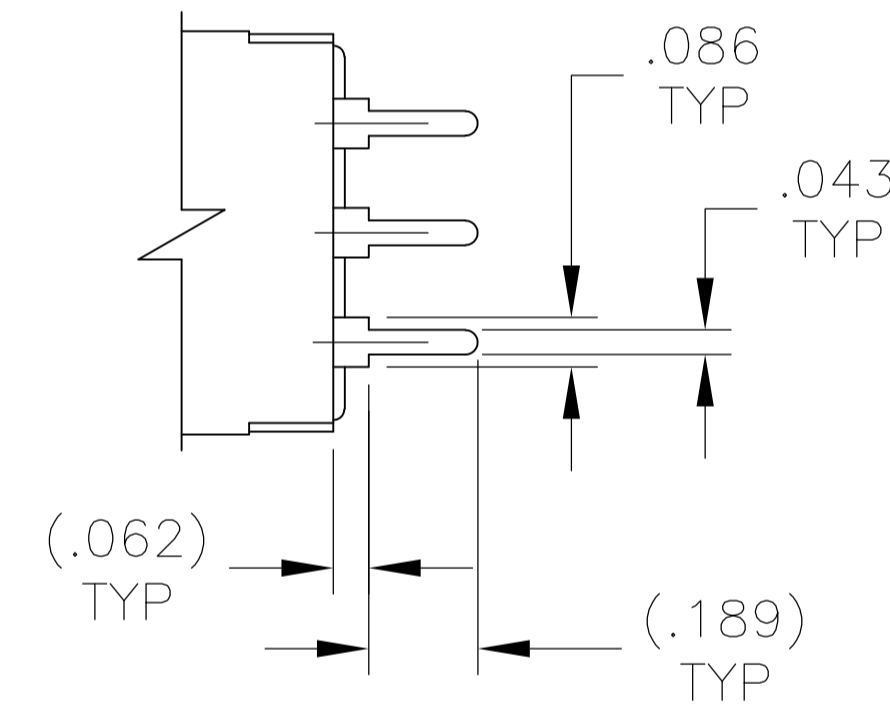
LOC		DIST		REVISIONS			
P	LTR	DESCRIPTION	DATE	DN	APVD		
-	-	SEE SHEET 1	-	-	-	-	-



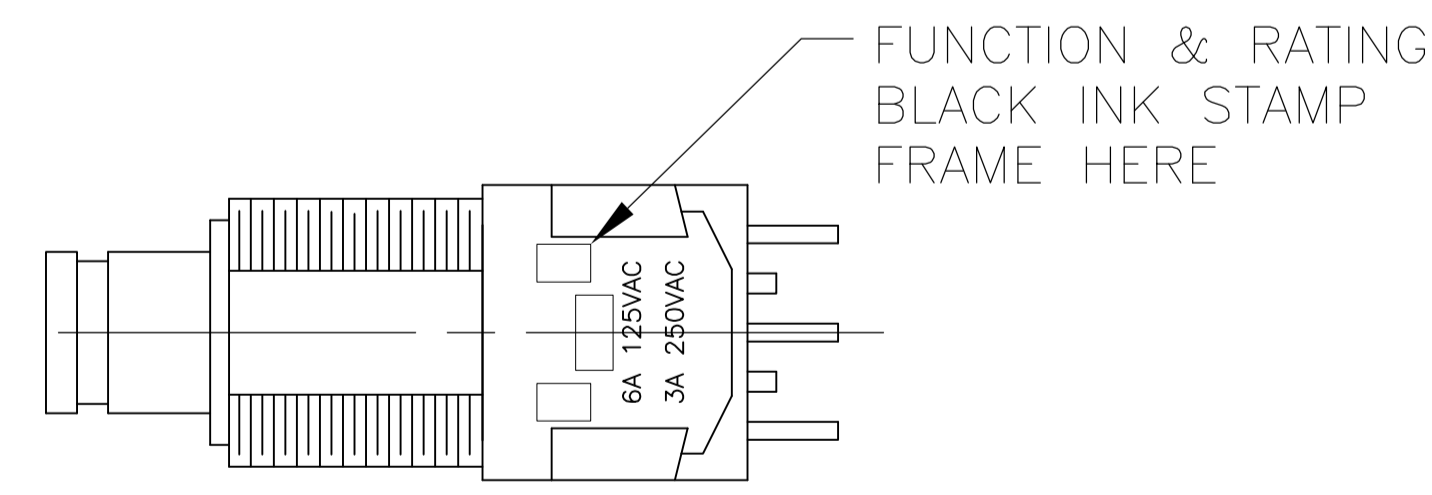
COUNTRY OF ORIGIN STAMPED HERE EITHER SIDE



WIRE LUG TERMINAL



PC TERMINAL



THIS DRAWING IS A CONTROLLED DOCUMENT.		DIN M. BINNER 02MAR09	TE Connectivity	
DIMENSIONS: INCHES		CHK M. ZITTO 15NOV04		
TOLERANCES UNLESS OTHERWISE SPECIFIED:		NAME M. ZITTO 15NOV04	ALCOSWITCH GREEN SERIES PUSHBUTTON SWITCH, MPG SERIES	
0. PLC	± .01	PRODUCT SPEC	APPLICATION SPEC	
1. PLC	± .01	SIZE	CAGE CODE DRAWING NO	
2. PLC	± .01	WEIGHT	RESTRICTED TO	
3. PLC	± .012	A1 00779 C=4-1437567-9		
4. PLC	± .01	CUSTOMER DRAWING		
ANGLES	± .01	SCALE	3:1	
		SHEET	3 OF 3	
		REV	C3	

X-ON Electronics

Largest Supplier of Electrical and Electronic Components

Click to view similar products for [Pushbutton Switches](#) category:

Click to view products by [TE Connectivity](#) manufacturer:

Other Similar products are found below :

[8940K2012](#) [LW1L-M1C10V-A](#) [LW1L-M1C70-A](#) [LW2L-A1C20M-GD](#) [LW2L-M1C20M-A](#) [60324L](#) [M22-D-R-GB0/K11](#) [M7E-HRN2](#)
[67021K512](#) [67081K512X](#) [701PB580](#) [7199K101](#) [810K12910](#) [810KSV30B](#) [MML21EA2ADK](#) [MML21KA3ABK](#) [MML23KA3AC05K-001](#)
[MML23KW3AA01W](#) [8418K2](#) [8442K3](#) [8450K1](#) [860K11911T01A](#) [861901](#) [861K11911T01A07](#) [861K13810T00A14](#) [861K13911](#)
[8646AB6X718UL](#) [8646ABUL](#) [9001KXRK](#) [907AYY100](#) [PMHD155A1](#) [9533CD4+U574+U4922](#) [95-414.000](#) [99-450.837](#) [99-453.837](#)
[PV3H2B0NN-341](#) [1203MRA](#) [A22NZBGANGA](#) [A22NZBNANGA](#) [A22NZMPATRA](#) [A2PMA1X03EC56](#) [A3A-5123-02](#) [A3A-7140](#) [A3A-7310](#) [A3A-7340](#) [A3U-TMW-A2C-5M](#) [A595](#) [12037A2ULCSA](#) [ABD122N-B](#) [1211390004](#)