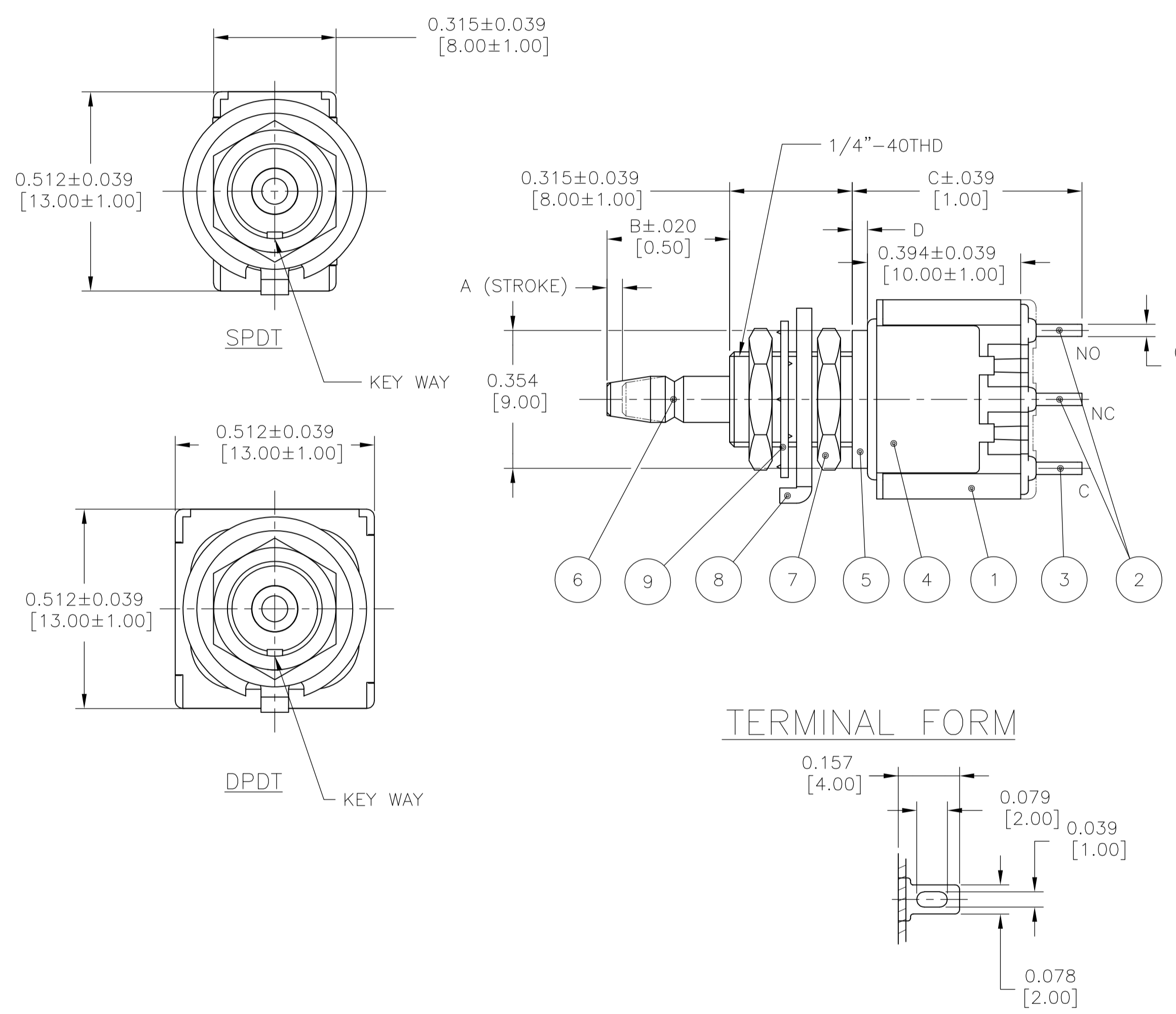
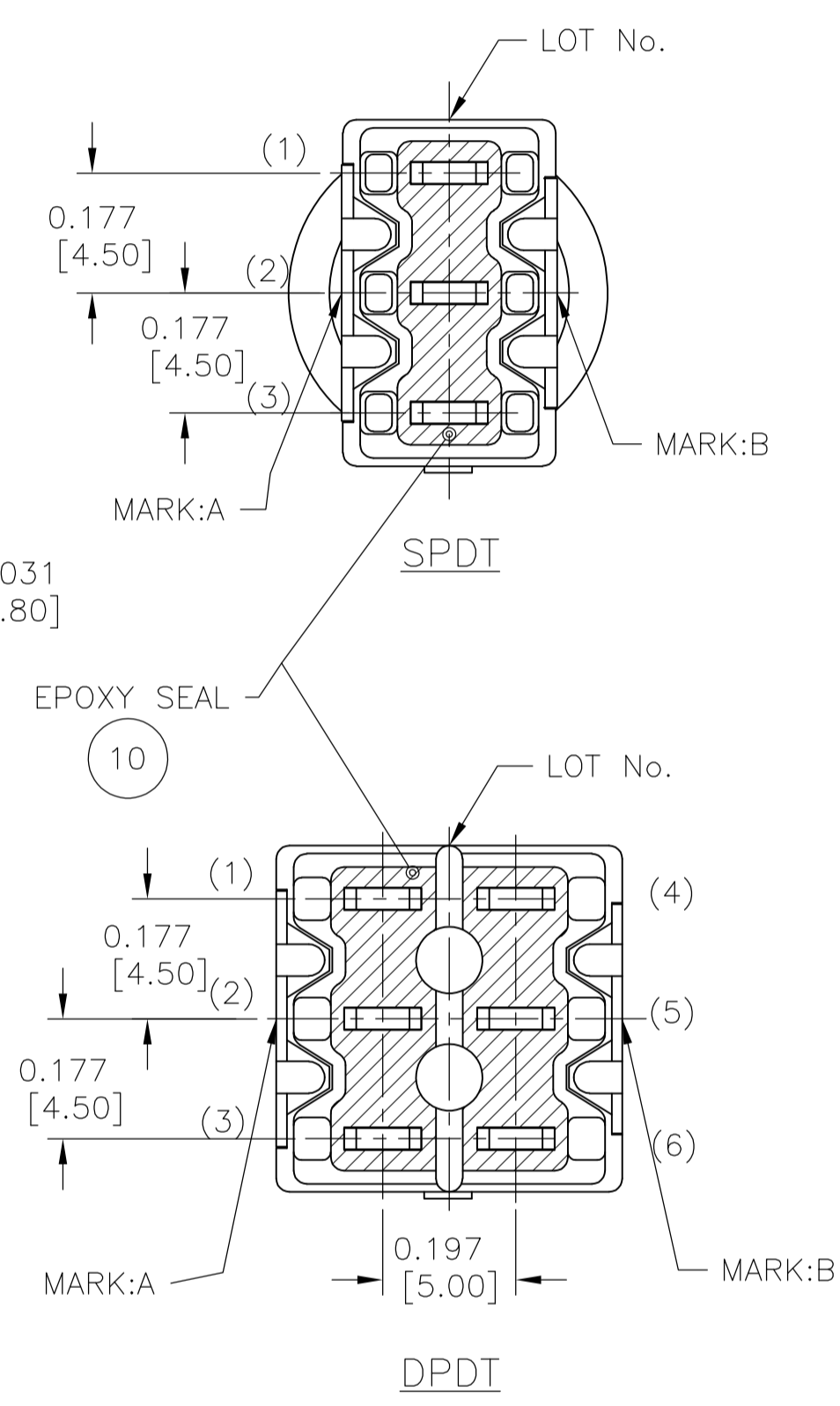


	OPERATING FORCE	DIMENSION				PART NUMBER	TYPE	MARK		ALCO	ACTUATED
		A	B	C	D			MARK:A	MARK:B		
		.098 [2.5]	.331 [8.4]	.650 [16.5]	.098 [2.5]	1977737-1 MPS1004D	SPDT	MPS1004D ALCO	DC 60mA 30V ON ON C	3-2	3-1
MOMENTARY	ON-(ON)	.039 [1]	.315 [8]	.591 [15]	.039 [1]	1977737-2 MPS1004F		MPS1004F ALCO	DC 60mA 30V NO NC C		(3)-(1)
		.098 [2.5]	.331 [8.4]	.650 [16.5]	.098 [2.5]	1977737-3 MPS2004N	DPDT	MPS2004N ALCO	DC 60mA 30V ON ON C	3-2 6-5	3-1 6-4
MOMENTARY	ON-(ON)	.039 [1]	.315 [8]	.591 [15]	.039 [1]	1977737-4 MPS2004R		MPS2004R ALCO	DC 60mA 30V NO NC C		(3)-(1) (6)-(4)

NOTE: TERMINALS 4,5,6 ARE FOUND ONLY ON DP VERSIONS (-3, -4)



TERMINAL FORM



SPECIFICATIONS:

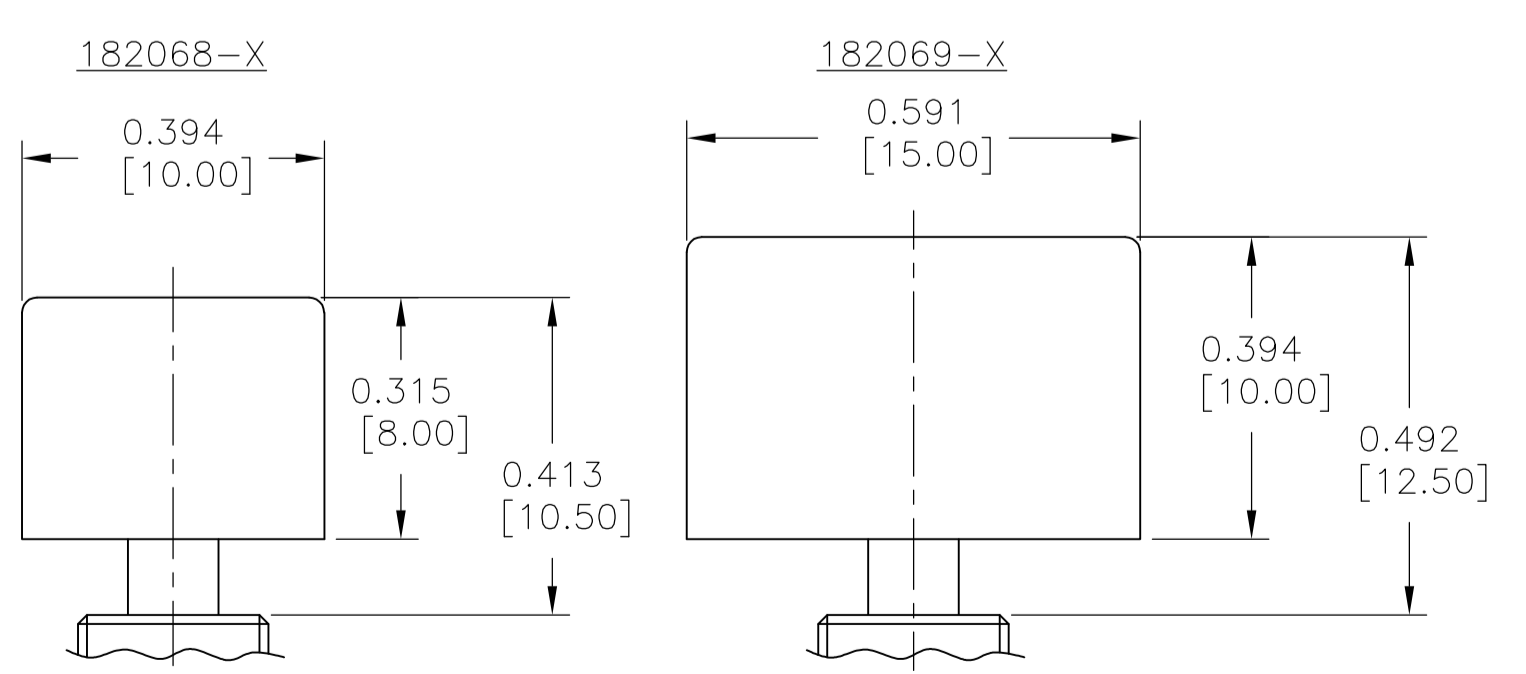
- RATING: MIN, 1µa 20mV DC, MAX, 60mA 30V DC (RESISTIVE LOAD).
- INITIAL CONTACT RESISTANCE: 20mΩ MAX. AT 5mA 0.2V AC.
- INITIAL INSULATION RESISTANCE: 1,000MΩ MIN. AT 500V DC.(BETWEEN TERMINALS AND TERMINAL-GROUND).
- INITIAL DIELECTRIC STRENGTH: 1,000V AC FOR 1 MINUTE.(BETWEEN TERMINALS AND TERMINAL-GROUND).
- DURABILITY: 50,000 CYCLES.

OPERATING FORCE:

- △6 3.92±1.96N (400±200gf)
- △7 4.9±2.94N (500±300gf)
- △8 2.94±0.98N (300±100gf)
- △9 4.9±1.96N (500±200gf)

10 OPERATING TEMP: -20 ~ +85°C
STORAGE TEMP: -40 ~ +85°C

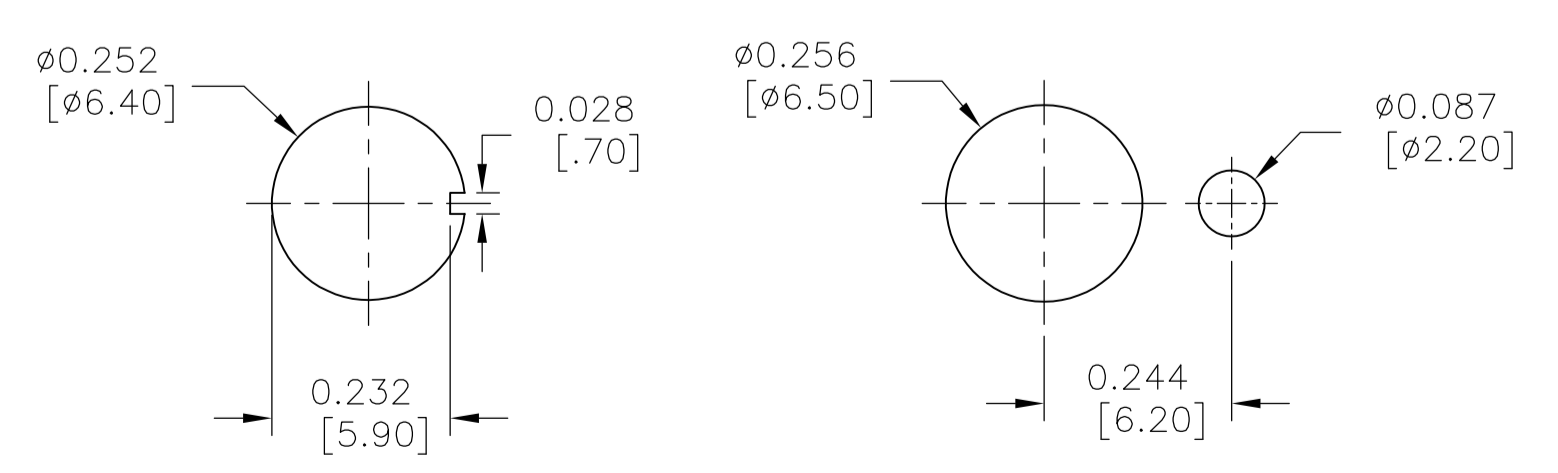
- ALL MATERIALS AND FINISHES SHALL COMPLY WITH EU DIRECTIVE 2002/95/EC OF 27JAN2003 (ROHS).
- LASER MARKING USED FOR MARKS.



BUTTON CAP
SOLD SEPARATELY

SEE DRAWINGS 1825068 (ø.394 [10 MM]) & 1825069 (ø.591 [15 MM]) FOR COLOR CHOICES

PANEL CUT-OUTS (REF)



WITHOUT LOCKING RING
MAXIMUM PANEL THICKNESS:
.118 [3.0mm]

WITH STANDARD LOCKING RING
MAXIMUM PANEL THICKNESS:
.079 [2mm]

A/R	A/R	BLUE	-	EPOXY	10
1	1	ZINC PLATE	CARBON TOOL STEEL	TOOTH WASHER	9
1	1	ZINC PLATE	COLD ROLLED STEEL	LOCATING RING	8
2	2	NICKEL PLATE	BRASS	HEX NUT	7
1	1	NICKEL PLATE	BRASS	PLUNGER	6
1	1	-	BRASS	MOUNTING SLEEVE	5
1	1	-	STAINLESS STEEL	FRAME	4
2	1	GOLD PLATE	BRASS	COMMON TERMINAL	3
4	2	GOLD PLATE	BRASS	FIXED CONTACT	2
1	1	(BLUE)	EPOXY RESIN, UL94V-0	CASE	1
2	1	FINISH (COLOR)	MATERIALS	PARTS	NO
POLES	POLE QTY				

THIS DRAWING IS A CONTROLLED DOCUMENT. DIN RAGHAVENDRA 28JAN11
CHK EPPLEY NAZ 28JAN11
APVD EPPLEY NAZ 28JAN11 NAME

STE TE Connectivity

PRODUCT SPEC: MPS SERIES PUSHBUTTON, DRY CIRCUIT MPS1004 (SPDT) & MPS2004 (DPDT) SERIES WIRE LUG TERMINATION

APPLICATION SPEC: -

SIZE: A1 CASE CODE: 00779 DRAWING NO: 1977737 RESTRICTED TO: -

MATERIAL: - FINISH: - WEIGHT: -

CUSTOMER DRAWING SCALE: 4:1 SHEET: 1 OF 1 REV: B2

X-ON Electronics

Largest Supplier of Electrical and Electronic Components

Click to view similar products for [Pushbutton Switches](#) category:

Click to view products by [TE Connectivity](#) manufacturer:

Other Similar products are found below :

[LW1L-M1C10V-A](#) [LW2L-A1C20M-GD](#) [LW2L-M1C20M-A](#) [60324L](#) [M7E-HRN2](#) [67021K512](#) [67081K512X](#) [701PB580](#) [719-5504-000](#)
[MDPSSGLFS](#) [810KSV30B](#) [FLT 2U EE 01A](#) [MML21KA3ABK](#) [MML23KA3AC05K-001](#) [MML23KW3AA01W](#) [8418K2](#) [8646AB6X718UL](#)
[8646ABUL](#) [FSDWH](#) [9001KXRK](#) [9001T8BK](#) [9533CD4+U574+U4922](#) [1203MRA](#) [A22EM01S](#) [A595](#) [12037A2ULCSA](#) [1203A2UL](#)
[ABD122N-B](#) [1211390004](#) [ABN111-Y](#) [ABN400-R](#) [1211500044](#) [1211580012](#) [1212MRA](#) [1232A6NF](#) [1241.1183.7047](#) [1241.2511](#) [1241.3428](#)
[1223A2ULCSA](#) [1223MRA](#) [1232AX2119](#) [1241.1183.8000](#) [1241.1183.8029](#) [1241.2506](#) [1241.2606](#) [12MA6](#) [1301940184](#)
[RELBARF6X10\(PLASTIC\)](#) [13435AG](#) [13440AD2G25X822+U4546](#)