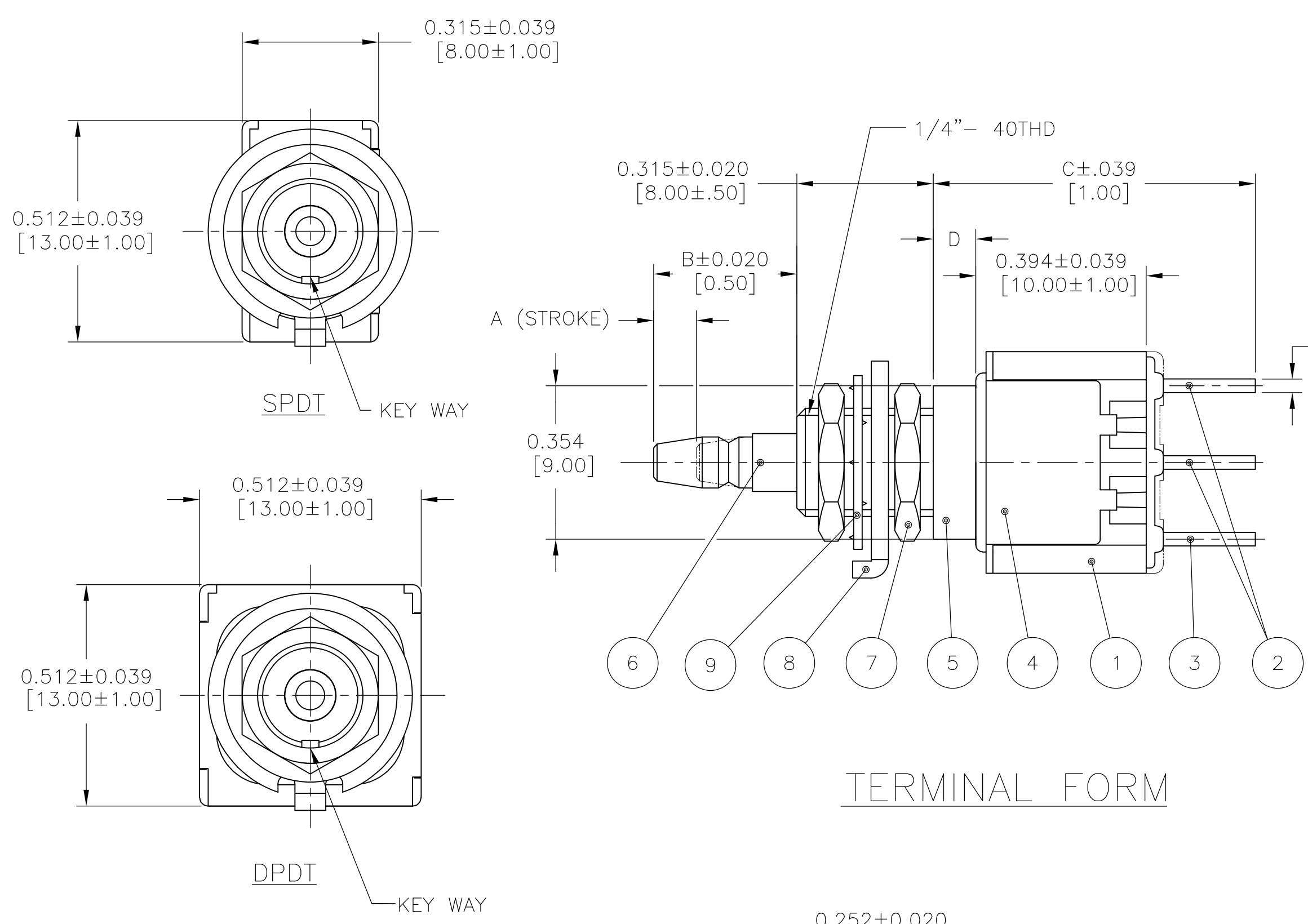
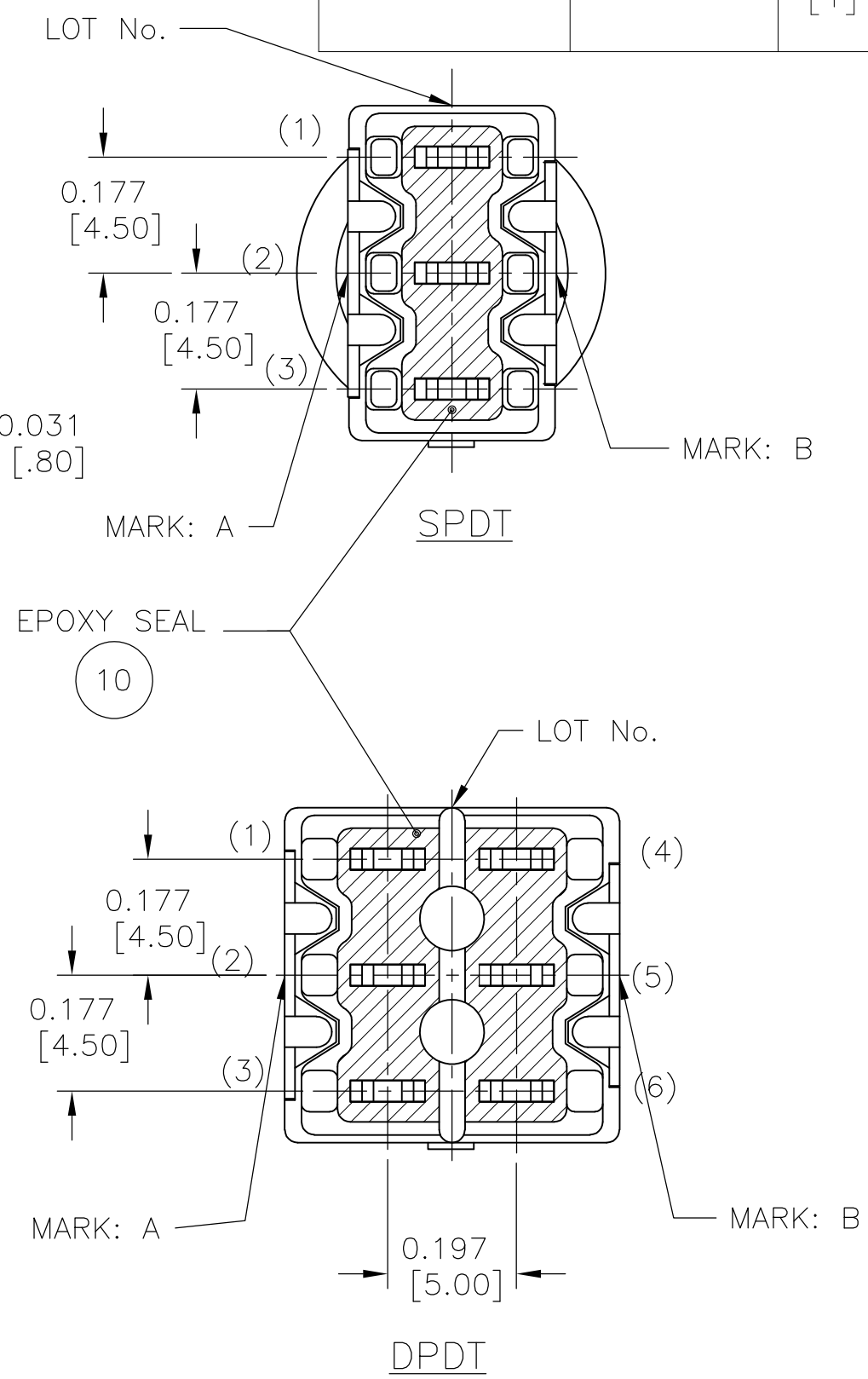


	OPERATING FORCE	DIMENSION				PART NUMBER	TYPE	MARK		ACTUATED
		A	B	C	D			MARK:A	MARK:B	
MOMENTARY	ON-ON	.098 [2.5]	.331 [8.4]	.744 [18.9]	.098 [2.5]	1977738-1 MPS1004DPC	SPDT	MPS1004D ALCO	DC 60mA 30V ON ON C	3-1
MOMENTARY	ON-(ON)	.039 [1]	.315 [8]	.685 [17.4]	.039 [1]	1977738-2 MPS1004FPC	SPDT	MPS1004F ALCO	DC 60mA 30V NO NC C	(3)-(1)
MOMENTARY	ON-ON	.098 [2.5]	.331 [8.4]	.744 [18.9]	.098 [2.5]	1977738-3 MPS2004NPC	DPDT	MPS2004N ALCO	DC 60mA 30V ON ON C	3-1 6-4
MOMENTARY	ON-(ON)	.039 [1]	.315 [8]	.685 [17.4]	.039 [1]	1977738-4 MPS2004RPC	DPDT	MPS2004R ALCO	DC 60mA 30V NO NC C	(3)-(1) (6)-(4)

NOTE: TERMINALS 4,5,6 ARE FOUND ONLY ON DP VERSIONS (-3, -4)



TERMINAL FORM



SPECIFICATIONS:

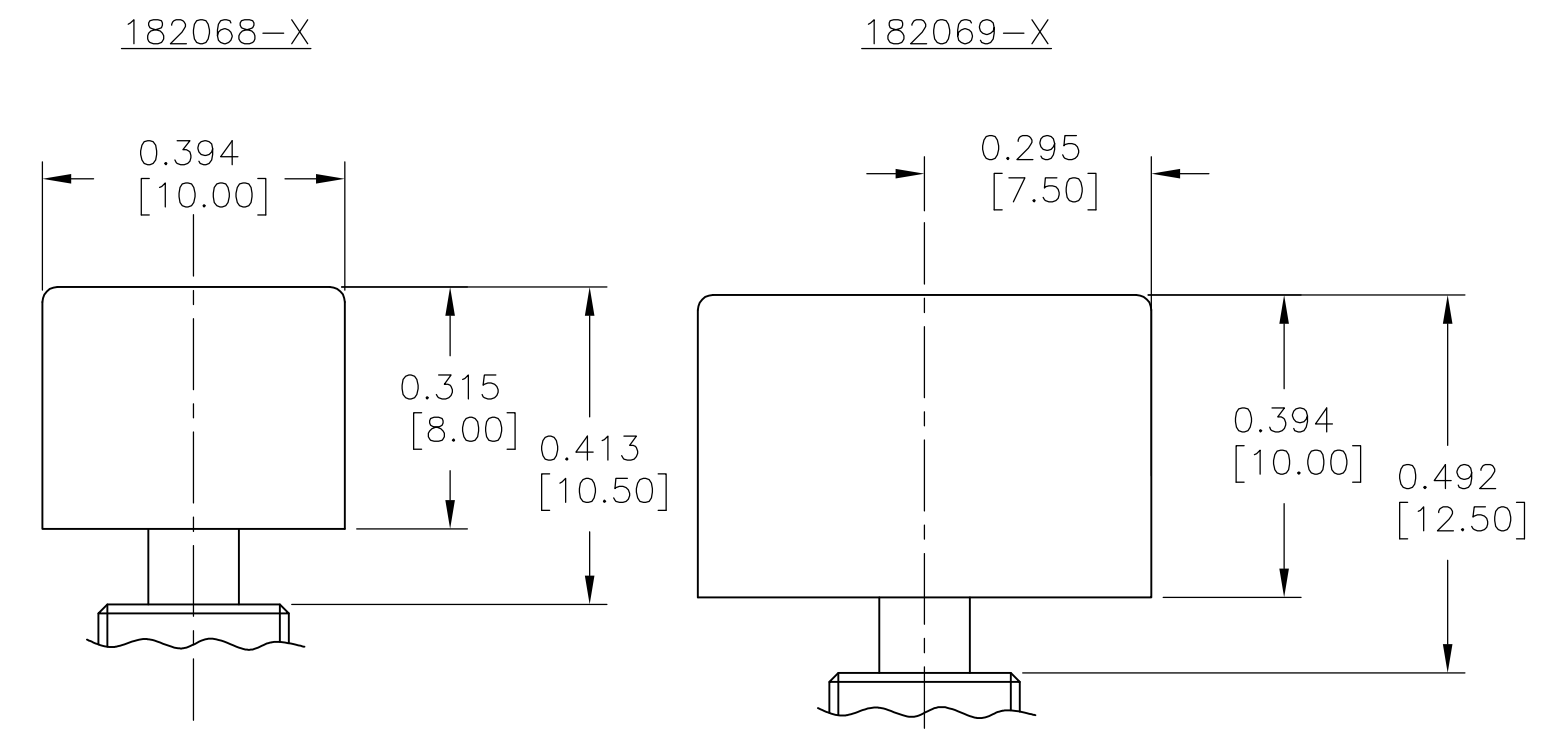
- RATING: MIN, 1µa 20mV DC; MAX, 60mA 30V DC (RESISTIVE LOAD)
- INITIAL CONTACT RESISTANCE: 20mΩ MAX. AT 5mA 0.2mV AC.
- INITIAL INSULATION RESISTANCE: 1,000MΩ MIN. AT 500V DC. (BETWEEN TERMINALS AND TERMINAL-GROUND)
- INITIAL DIELECTRIC STRENGTH: 1,000V AC FOR 1 MINUTE. (BETWEEN TERMINALS AND TERMINAL-GROUND)
- DURABILITY: 50,000 CYCLES

OPERATING FORCE:

- 6 3.92±1.96N.(400±200gf)
- 7 4.9±1.96N.(500±200gf)
- 8 2.94±0.98N.(300±100gf)
- 9 4.9±1.96N.(500±200gf)

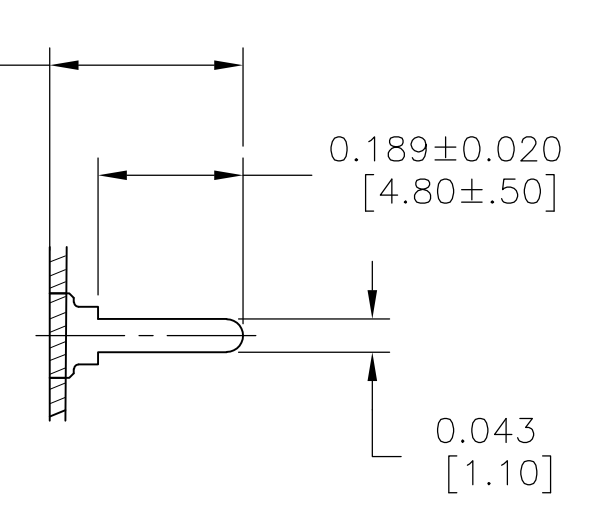
10 OPERATING TEMP: -20 ~ +85°C  
STORAGE TEMP: -40 ~ +85°C

- ALL MATERIALS AND FINISHES SHALL COMPLY WITH EU DIRECTIVE 2002/95/EC OF 27JAN2003 (ROHS).
- LASER MARKING USED FOR MARKS.

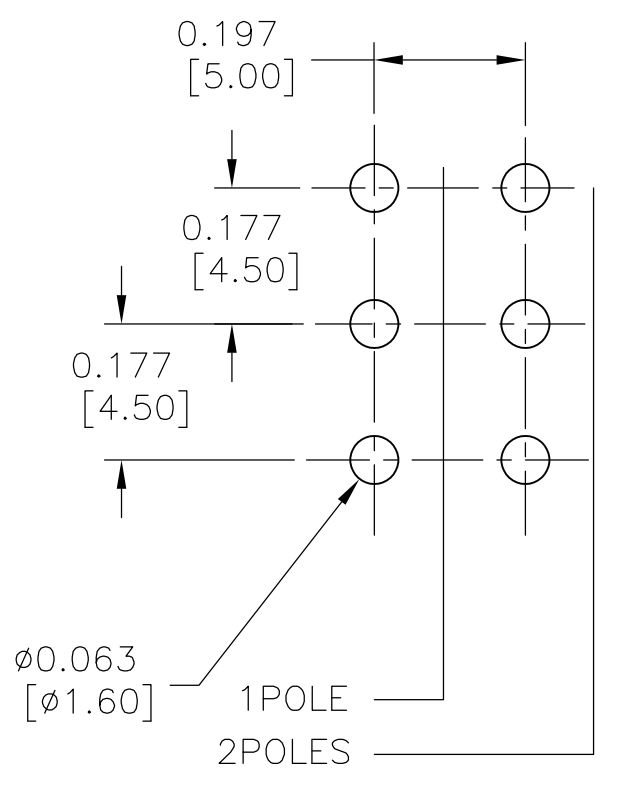


BUTTON CAP

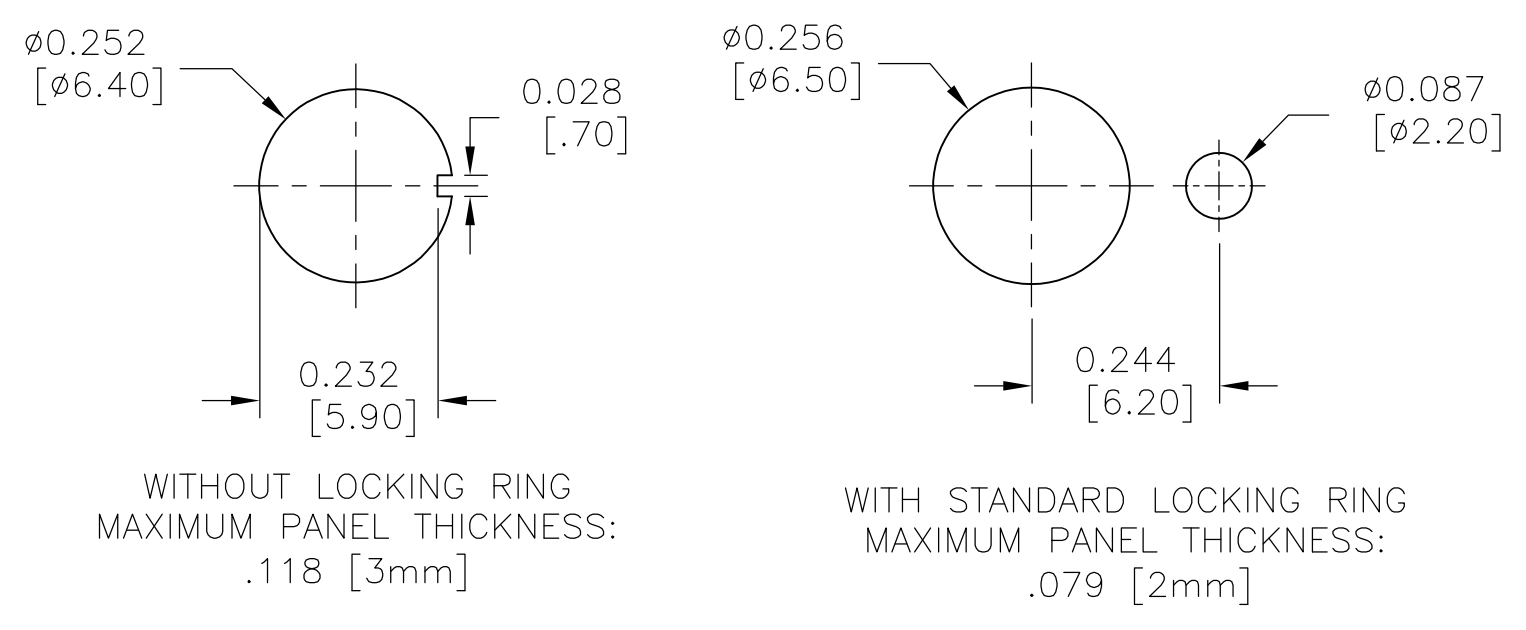
SOLD SEPARATELY  
SEE DRAWINGS 1825068 (ø.394 [10 MM])  
& 1825069 (ø.591 [15 MM])  
FOR COLOR CHOICES



PANEL CUT-OUTS (REF)



PC BOARD DRILLING



WITHOUT LOCKING RING  
MAXIMUM PANEL THICKNESS:  
.118 [3mm]

WITH STANDARD LOCKING RING  
MAXIMUM PANEL THICKNESS:  
.079 [2mm]

A/R	A/R	BLUE	-	EPOXY	10
1	1	ZINC PLATE	CARBON TOOL STEEL	TOOTH WASHER	9
1	1	ZINC PLATE	COLD ROLLED STEEL	LOCATING RING	8
2	2	NICKEL PLATE	BRASS	HEX NUT	7
1	1	NICKEL PLATE	BRASS	PLUNGER	6
1	1	-	BRASS	MOUNTING SLEEVE	5
1	1	-	STAINLESS STEEL	FRAME	4
2	1	GOLD PLATE	BRASS	COMMON TERMINAL	3
4	2	GOLD PLATE	BRASS	FIXED CONTACT	2
1	1	(BLUE)	EPOXY RESIN	CASE	1
2	1	FINISH (COLOR)	MATERIALS	PARTS	NO

THIS DRAWING IS A CONTROLLED DOCUMENT. DIN RAGHAVENDRA 28JAN11  
CHK EPPLEY NAZ 28JAN11  
APVD EPPLEY NAZ 28JAN11  
NAME EPPLEY NAZ  
PRODUCT SPEC  
APPLICATION SPEC  
WEIGHT  
CUSTOMER DRAWING

SCALE 4:1 SHEET 1 OF 1 REV B2

STE TE Connectivity  
MPS SERIES PUSHBUTTON, DRY CIRCUIT  
MPS1004 (SPDT) & MPS2004 (DPDT)  
PCB TERMINATION

SIZE A1 CASE CODE 00779 DRAWING NO. 1977738

## X-ON Electronics

Largest Supplier of Electrical and Electronic Components

*Click to view similar products for [Pushbutton Switches](#) category:*

*Click to view products by [TE Connectivity](#) manufacturer:*

Other Similar products are found below :

[8940K2012](#) [LW1L-M1C10V-A](#) [LW1L-M1C70-A](#) [LW2L-A1C20M-GD](#) [LW2L-M1C20M-A](#) [60324L](#) [M22-D-R-GB0/K11](#) [M7E-HRN2](#)  
[67021K512](#) [67081K512X](#) [701PB580](#) [7199K101](#) [810K12910](#) [810KSV30B](#) [MML21EA2ADK](#) [MML21KA3ABK](#) [MML23KA3AC05K-001](#)  
[MML23KW3AA01W](#) [8418K2](#) [8442K3](#) [8450K1](#) [860K11911T01A](#) [861901](#) [861K11911T01A07](#) [861K13810T00A14](#) [861K13911](#)  
[8646AB6X718UL](#) [8646ABUL](#) [9001KXRK](#) [907AYY100](#) [PMHD155A1](#) [9533CD4+U574+U4922](#) [95-414.000](#) [99-450.837](#) [99-453.837](#)  
[PV3H2B0NN-341](#) [1203MRA](#) [A22NZBGANGA](#) [A22NZBNANGA](#) [A22NZMPATRA](#) [A2PMA1X03EC56](#) [A3A-5123-02](#) [A3A-7140](#) [A3A-7310](#) [A3A-7340](#) [A3U-TMW-A2C-5M](#) [A595](#) [12037A2ULCSA](#) [ABD122N-B](#) [1211390004](#)