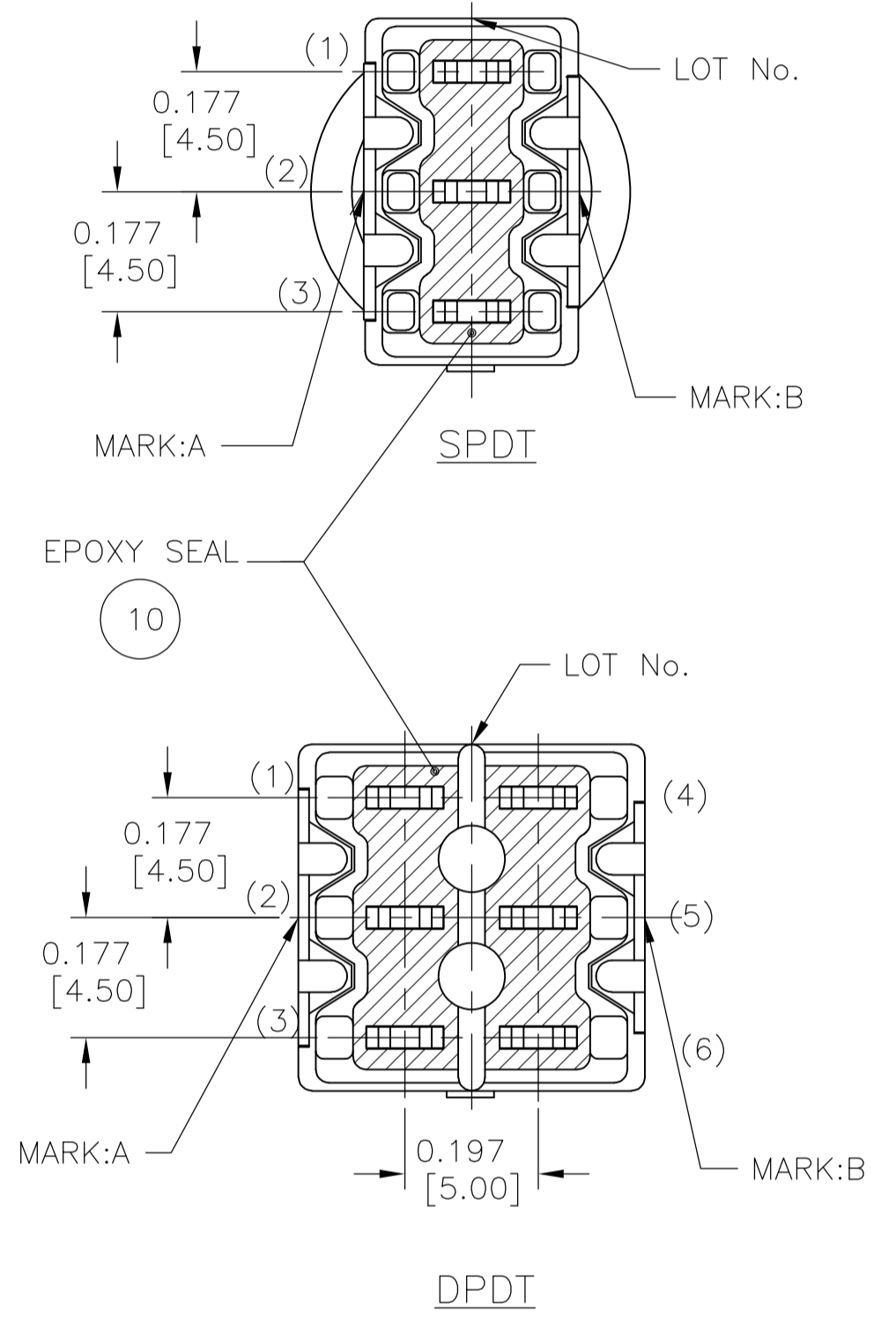
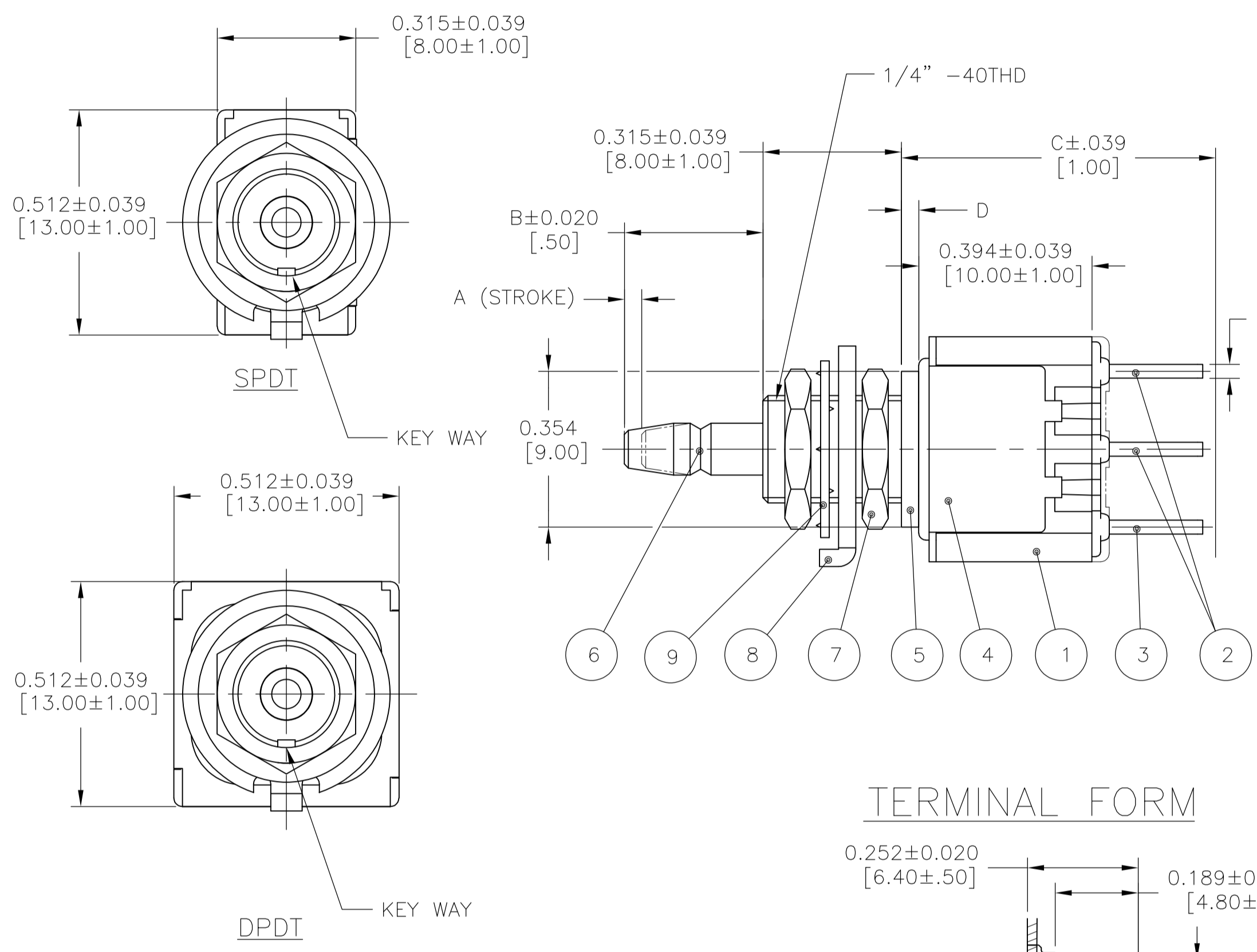
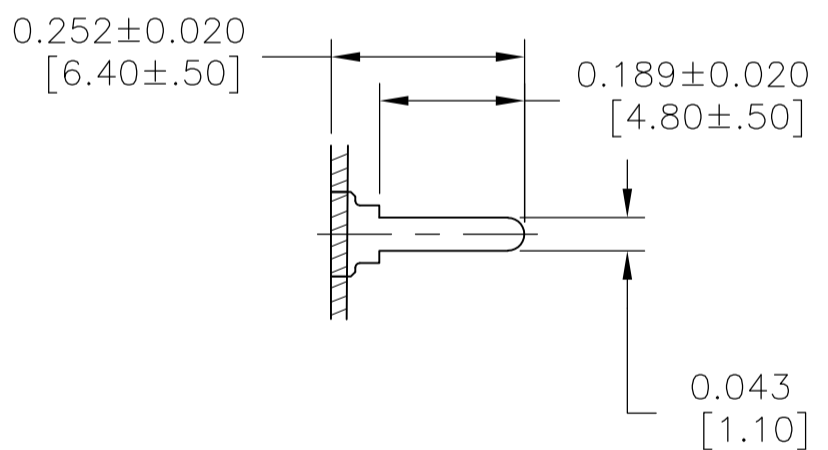


	OPERATING FORCE	DIMENSION				PART NUMBER	TYPE	MARK		ACTUATED	
		A	B	C	D			MARK:A	MARK:B		
ON-ON		.098 [2.5]	.331 [8.4]	.744 [18.9]	.098 [2.5]	1977740-1 MPS103DPC	SPDT	MPS103D ALCO	AC 3A 125V ON ON C	3-2	3-1
MOMENTARY ON-(ON)		.039 [1]	.315 [8]	.685 [17.4]	.039 [1]	1977740-2 MPS103FPC	SPDT	MPS103F ALCO	AC 3A 125V NO NC C		(3)-(1)
ON-ON		.098 [2.5]	.331 [8.4]	.744 [18.9]	.098 [2.5]	1977740-3 MPS203NPC	DPDT	MPS203N ALCO	AC 3A 125V ON ON C	3-2 6-5	3-1 6-4
MOMENTARY ON-(ON)		.039 [1]	.315 [8]	.685 [17.4]	.039 [1]	1977740-4 MPS203RPC		MPS203R ALCO	AC 3A 125V NO NC C		(3)-(1) (6)-(4)

NOTE: TERMINALS 4,5,6 ARE FOUND ONLY ON DP VERSIONS (-3, -4)

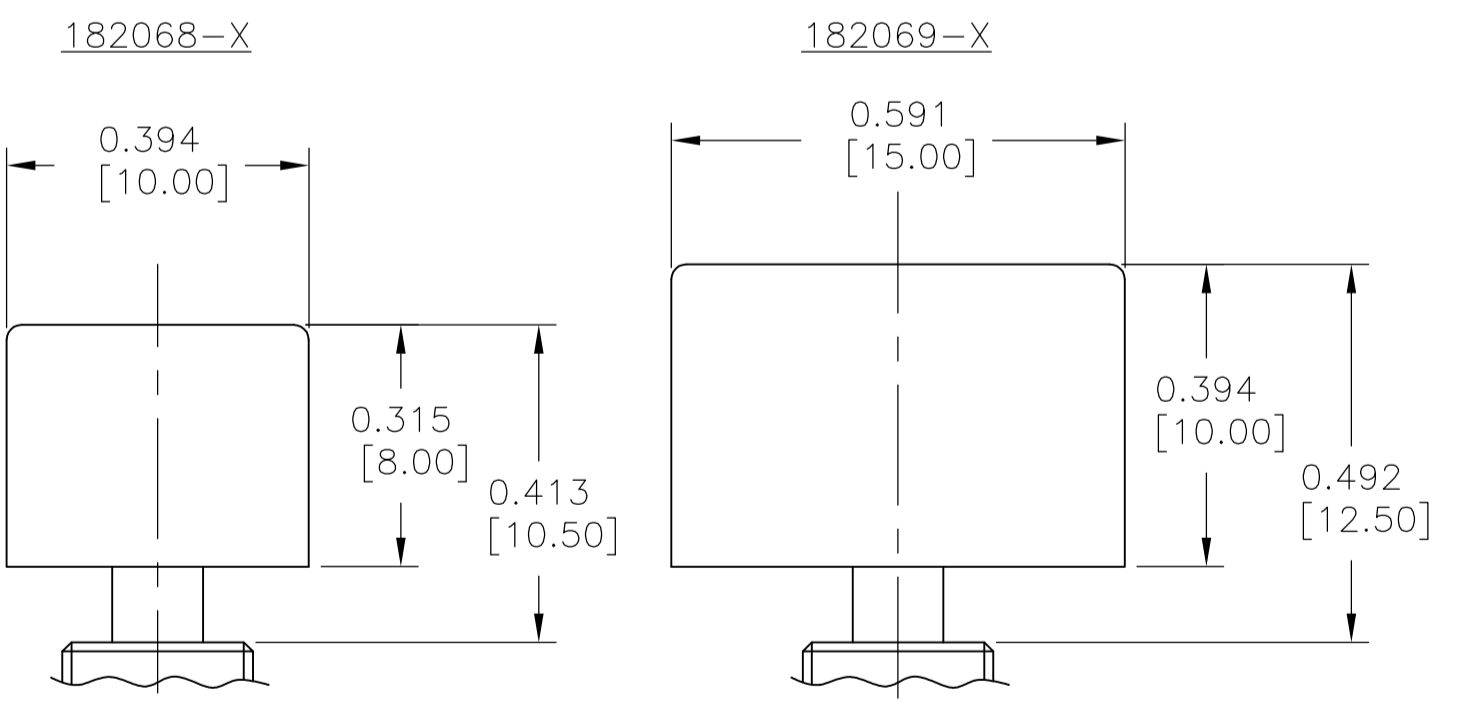


TERMINAL FORM



SPECIFICATIONS:

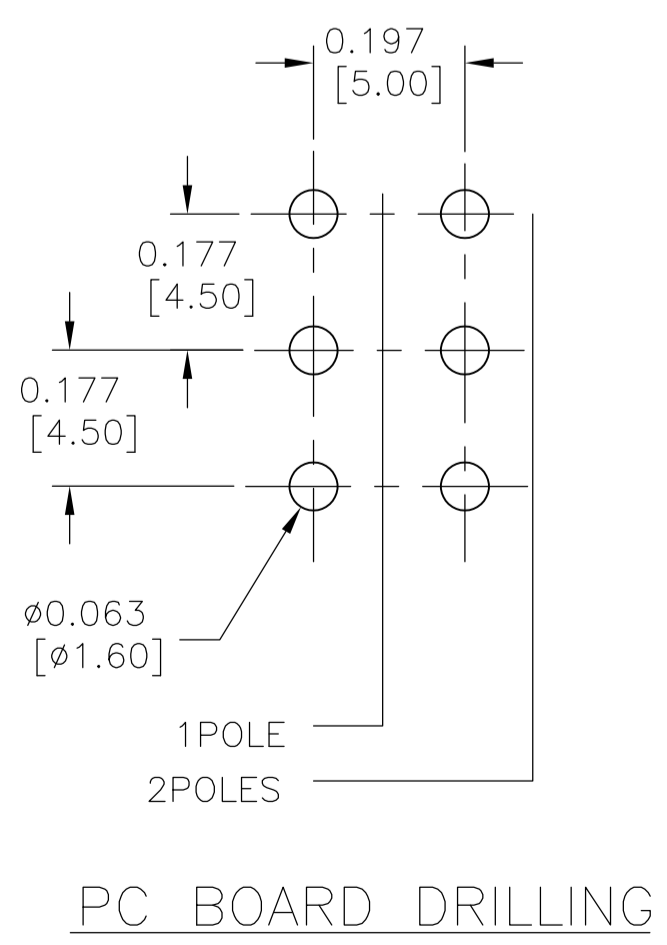
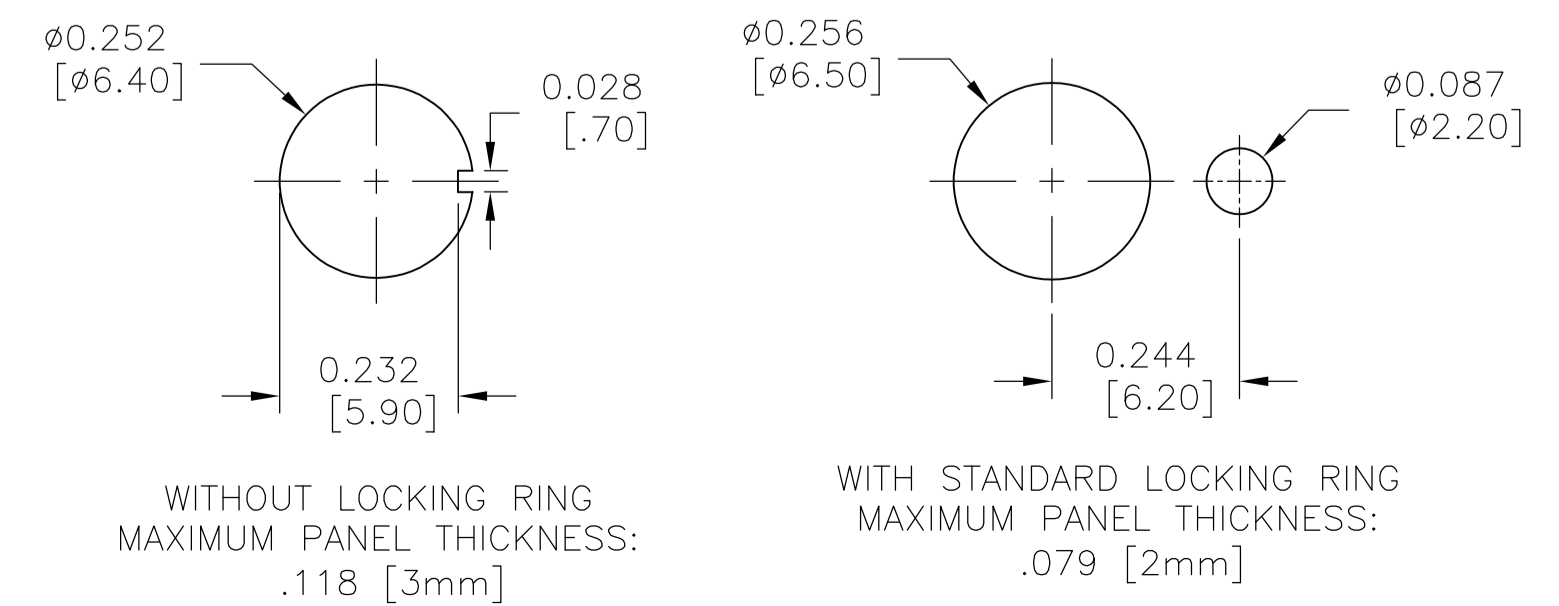
- RATING: 3A 125V AC (RESISTIVE LOAD)
 - INITIAL CONTACT RESISTANCE: 10mΩ MAX. AT 1A 2~4V DC.
 - INITIAL INSULATION RESISTANCE: 1,000MΩ MIN. AT 500V DC.(BETWEEN TERMINALS AND TERMINAL-GROUND)
 - INITIAL DIELECTRIC STRENGTH: 1,000V AC FOR 1 MINUTE.(BETWEEN TERMINALS AND TERMINAL-GROUND)
 - DURABILITY: 25,000 CYCLES
 - LEAKAGE CURRENT: 500µA MAX.AT RATING VOLTAGE FOR 5 SECONDS. AFTER ELECTRICAL ENDURANCE (BETWEEN TERMINALS AND TERMINAL-GROUND)
- OPERATING FORCE:
- 3.92±1.96N.(400±200gf)
 - 4.9±1.96N.(500±200gf)
 - 2.94±0.98N.(300±100gf)
 - 4.9±1.96N.(500±200gf)
- OPERATING TEMP: -20 ~ +85°C
STORAGE TEMP: -40 ~ +85°C
 - ALL MATERIALS AND FINISHES SHALL COMPLY WITH EU DIRECTIVE 2002/95/EC OF 27JAN2003 (ROHS).
 - LASER MARKING USED FOR MARKS.



BUTTON CAP
SOLD SEPARATELY

SEE DRAWINGS 1825068 (ø.394 [10 MM]) & 1825069 (ø.591 [15 MM]) FOR COLOR CHOICES

PANEL CUT-OUTS



A/R	A/R	BLUE	-	EPOXY	10
1	1	ZINC PLATE	CARBON TOOL STEEL	TOOTH WASHER	9
1	1	ZINC PLATE	COLD ROLLED STEEL	LOCATING RING	8
2	2	NICKEL PLATE	BRASS	HEX NUT	7
1	1	NICKEL PLATE	BRASS	PLUNGER	6
1	1	NICKEL PLATE	BRASS	MOUNTING SLEEVE	5
1	1	-	STAINLESS STEEL	FRAME	4
2	1	SILVER PLATE	BRASS	COMMON TERMINAL	3
4	2	SILVER PLATE	SILVER + BRASS	FIXED CONTACT	2
1	1	(BLUE)	EPOXY RESIN	CASE	1
2	1	FINISH (COLOR)	MATERIALS	PARTS	NO

THIS DRAWING IS A CONTROLLED DOCUMENT.

DIMENSIONS: INCHES (mm)	TOLERANCES UNLESS OTHERWISE SPECIFIED:	0 PLC ± -	1 PLC ± -	2 PLC ± -	3 PLC ± -	4 PLC ± -	ANGLES ± -
-------------------------	----------------------------------------	-----------	-----------	-----------	-----------	-----------	------------

MATERIAL: - FINISH: -

DRN: RAGHAVENDRA 28JAN11	CHK: EPPLEY NAZ 28JAN11	APVD: EPPLEY NAZ 28JAN11	NAME: EPPLEY NAZ
PRODUCT SPEC: -			
APPLICATION SPEC: -			
SIZE: A1	CAGE CODE: -	DRAWING NO: 1977740	RESTRICTED TO: -
CUSTOMER DRAWING			

SCALE: 4:1 SHEET 1 OF 1 REV B2

X-ON Electronics

Largest Supplier of Electrical and Electronic Components

Click to view similar products for [Pushbutton Switches](#) category:

Click to view products by [TE Connectivity](#) manufacturer:

Other Similar products are found below :

[8940K2012](#) [LW1L-M1C10V-A](#) [LW1L-M1C70-A](#) [LW2L-A1C20M-GD](#) [LW2L-M1C20M-A](#) [60324L](#) [M22-D-R-GB0/K11](#) [M7E-HRN2](#)
[67021K512](#) [67081K512X](#) [701PB580](#) [7199K101](#) [810K12910](#) [810KSV30B](#) [MML21EA2ADK](#) [MML21KA3ABK](#) [MML23KA3AC05K-001](#)
[MML23KW3AA01W](#) [8418K2](#) [8442K3](#) [8450K1](#) [860K11911T01A](#) [861901](#) [861K11911T01A07](#) [861K13810T00A14](#) [861K13911](#)
[8646AB6X718UL](#) [8646ABUL](#) [9001KXRK](#) [907AYY100](#) [PMHD155A1](#) [9533CD4+U574+U4922](#) [95-414.000](#) [99-450.837](#) [99-453.837](#)
[PV3H2B0NN-341](#) [1203MRA](#) [A22NZBGANGA](#) [A22NZBNANGA](#) [A22NZMPATRA](#) [A2PMA1X03EC56](#) [A3A-5123-02](#) [A3A-7140](#) [A3A-7310](#) [A3A-7340](#) [A3U-TMW-A2C-5M](#) [A595](#) [12037A2ULCSA](#) [ABD122N-B](#) [1211390004](#)