

**SAFETY ORGANIZATIONS**

THIS FILTER HAS BEEN FORMALLY RECOGNIZED, CERTIFIED OR APPROVED BY THE LISTED AGENCY. THEREFORE, ALL TEST/REQUIREMENTS SPECIFIED IN THE LATEST REVISION OF THE FOLLOWING AGENCY STANDARDS HAVE BEEN MET:

**OPERATING SPECIFICATIONS**

LINE CURRENT/VOLTAGE: 3 AMP, 60VDC

OPERATING AMBIENT TEMP. RANGE: -10°C TO +60°C @ RATED CURRENT, I<sub>r</sub>.

IN AN AMBIENT, T<sub>a</sub>, HIGHER THAN 60°C, THE MAXIMUM OPERATING CURRENT, I<sub>o</sub>, IS AS FOLLOWS:

$$I_o = I_r \sqrt{\frac{85 - T_a}{25}}$$

**RELIABILITY SPECIFICATIONS:**

STORAGE TEMPERATURE: -40°C TO +85°C  
 HUMIDITY: 21 DAYS @ 40°C 95% RH.  
 CURRENT OVERLOAD TEST: 6 TIMES I<sub>r</sub> FOR 8 SECONDS

**TEST SPECIFICATIONS:**

INDUCTANCE: 34.32 mH NOMINAL  
 CAPACITANCE: (MEASURED @ 1KHz, 0.250VAC MAX., 25°C±1°C)  
 LINE TO GROUND: 9 μF±20%  
 LINE TO LINE: 3282.3 μF±20%  
 DISCHARGE RESISTOR: 10K Ω  
 L/G AND L/L I.R.  
 NO DISCHARGE RESISTOR: 6000M Ω (MIN.) @ 100VDC, 20°C AND 50% RH

**RECOMMENDED RECEIVING INSPECTION HIPOT:**

LINE TO GROUND: 100 VDC FOR 1 MINUTE CAUTION: THIS FILTER USES  
 LINE TO LINE: 100 VDC FOR 1 MINUTE POLARIZED CAPACITORS.

**FILTER APPROVAL:**

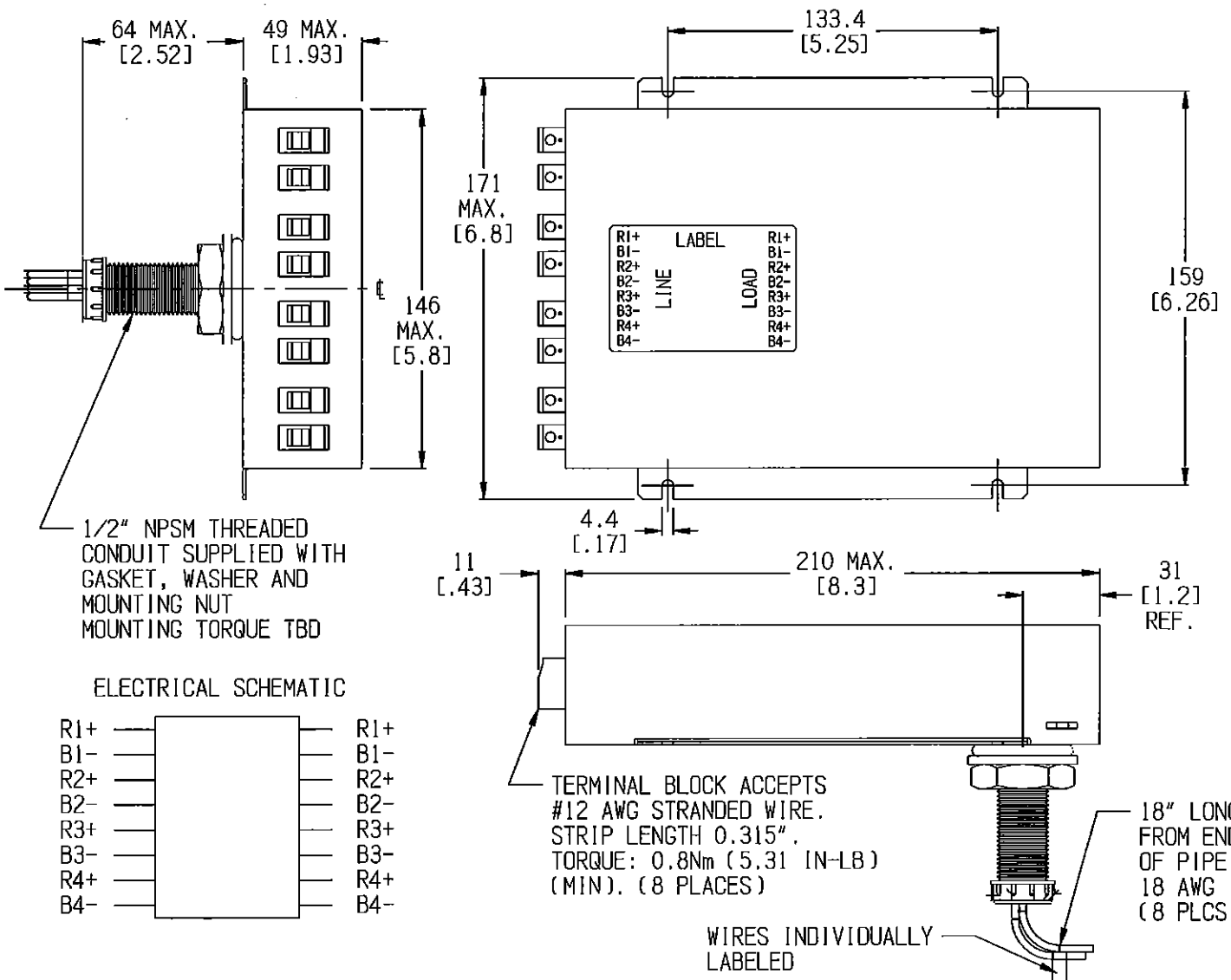
THE BEST WAY TO SELECT AND QUALIFY A FILTER IS FOR YOUR ENGINEERING TO TEST THE UNIT IN YOUR EQUIPMENT.

**CUSTOMER DRAWING**

CATALOG # MRI43100W

ECN#      APPRVD      DATE

/      /      /



50 Ω - 50 Ω (MINIMUM) INSERTION LOSS											
FREQUENCY	10 KHz	50 KHz	100 KHz	500 KHz	1 MHz	5 MHz	10 MHz	50 MHz	100 MHz	500 MHz	1 GHz
COMMON dB	100	100	100	100	100	100	100	100	100	100	100
DIFF. dB	100	100	100	100	100	100	100	100	100	100	100

PARTS SHALL COMPLY WITH TYCO ELECTRONICS 138-702 SPECIFICATION FOR HAZARDOUS SUBSTANCES  
 UNLESS OTHERWISE SPECIFIED  
 TOLERANCE TO BE ±1.5 [0.06]  
 MATERIAL & FINISH: AS SUPPLIED  
 DIMENSIONS IN MILLIMETERS

NOTES: CAUTION: THIS UNIT USES POLARIZED CAPACITORS

**TE** TE Connectivity

**MRI FILTER**

TE PART NO.: 1-1609091-5

SCALE: 3/8      DATE: 26DEC17      DRAWING NUMBER: MRI43100W      REV. 2

DRW. BY: LJD      ORG: DP

## X-ON Electronics

Largest Supplier of Electrical and Electronic Components

*Click to view similar products for [Power Line Filters](#) category:*

*Click to view products by [TE Connectivity](#) manufacturer:*

Other Similar products are found below :

[6609019-3](#) [6609026-5](#) [6609030-6](#) [6609973-2](#) [D30A](#) [7-1609090-5](#) [F2810](#) [F4456A](#) [F7382Z](#) [F7863Z](#) [FAHAV3100ZC000](#) [806276](#) [FN2020B-1-06](#) [FN2080B-10-06](#) [FN2410H-32-33](#) [FN2410H-80-34](#) [FP144](#) [FS4153-20-06](#) [FS4353-500-99](#) [12-MMB-030-11-D](#) [DB4-393](#) [15811T200](#) [20B1](#) [LC630](#) [2B1](#) [1609080-2](#) [1609993-8](#) [1-6609070-1](#) [F1100AA02](#) [F1150CC10](#) [F1500CA10](#) [F1500CA15](#) [F4041Z](#) [F7585E](#) [1B1](#) [FN2070A-16-06](#) [FN2090A-20-06](#) [FN2090B-12-06](#) [FN2090Z-1-06](#) [FN2410H-25-33](#) [FN2410H-60-34](#) [FN2410H-8-44](#) [FN2412H-8-44](#) [FN323B-6-01](#) [FN3258H-130-35](#) [FN610R-3-06](#) [20EHQ7](#) [20EHZ7](#) [20K1](#) [30B6](#)